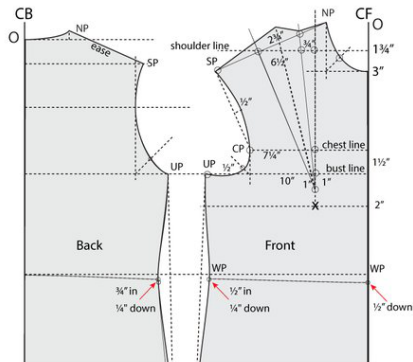


How To - Pattern Cutting

By: Angela Kane

<http://www.burdastyle.com/techniques/how-to-pattern-cutting--2>

Pattern Cutting



My YouTube Playlist

Flat Pattern Drafting – I have added my 4 part series – Drafting a Bodice Block plus Drafting a Sleeve Block. Please visit https://angelakane.com/sewing_patterns/ to see my collection of Sewing Patterns.

BurdaStyle

How To - Pattern Cutting