

# Bambi

By: burdastyle

<http://www.burdastyle.com/projects/bambi>

---



Perhaps you've heard the saying "A garment should look as beautiful on the inside as the outside." We like that idea, and, similarly, we think you should look as stylish at night as you do during the day. The pattern for this nightie will make you look fabulous while dreaming away. The sweet flutter wings, which we chose

to make out of coordinating chiffon, add some romance. For the tomboys out there, skip the wings and make a simple clean nightie with spaghetti straps instead.

## Materials

silk or cotton in 2 or 3 colors, (optional: snap for center front).

## Step 1

**burda Download-Pattern  
6035 - Instructions**

●●□□ easy      semi fitted

burda sizes		55 ins / 140 cm					
		34	36	38	40	42	44
A	yds	1 1/8	1 1/8	1 1/8	1 1/8	1 1/8	1 1/8
	m	0.95	0.95	0.95	1.20	1.20	1.20
B	yds	1 1/8	1 1/8	1 1/8	1 1/8	1 1/8	1 1/8
	m	1.20	1.20	1.20	1.20	1.20	1.20
B Contrasting fabric	yds	1/8	1/8	1/8	1/8	1/8	1/8
	m	0.50	0.50	0.50	0.50	0.50	0.50

→ with nap

Leichte Baumwollstoffe

Gummifaden

A: 122-142 cm  
B: 132-152 cm

Legend:  
 right side  
 wrong side  
 interfacing  
 lining  
 batting

Patternpieces:

- A B 1 Front piece 1x
- A B 2 Back piece 1x
- A B 3 Center bust piece 4x
- A B 4 Side bust piece 4x
- A B 5 Center back piece 1x
- A B 6 Side back piece 4x
- A B 7 Shoulder strips 2x
- B 8 Front wings 2x
- B 9 Back wings 2x
- B 10 Top hem inset 2x
- B 11 Bottom hem inset 2x

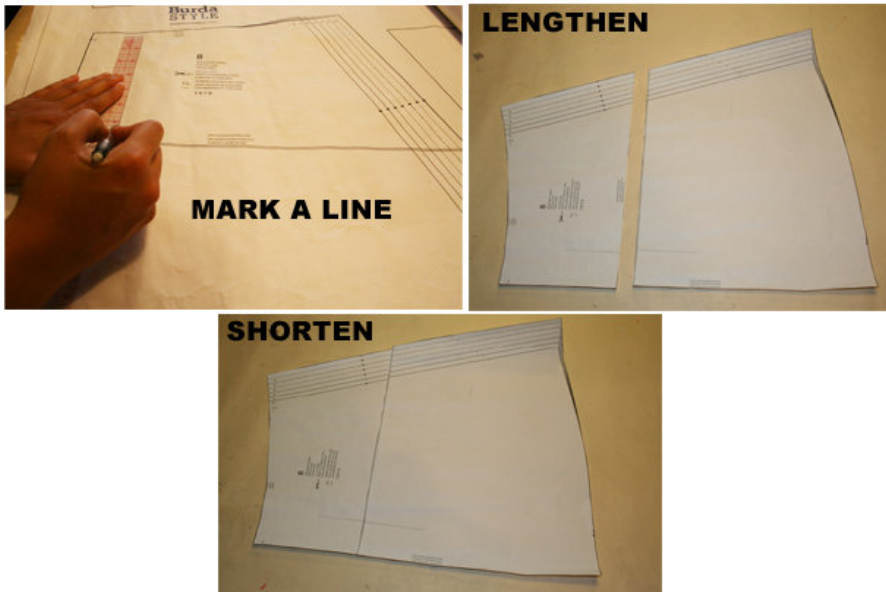
Fabric: Light cotton and silk fabrics

## Step 2



The patterns can be printed out at the copy shop. If you decide to print them at home, follow the instructions: Paper cut for ANSI A (German DIN A4) prints: The patterns are printed out on 20 sheets with a thin frame. Wait until all sheets are printed out. Arrange the sheets so that they fit together (see additional page with the overview of the prints). Fold the single sheets on the upper and right edge along the thin frame lines. Begin with the left lower sheet and then tape the frame lines together precisely.

### Step 3



#### ADJUST PATTERN SIZES

Select your size according to the Burda-dimension table: dresses, blouses, jackets and coats according to the bust size, trousers and skirts according to the hip width. Change the pattern to fit your measurements if they deviate from the Burda-size chart. Cut out the pattern 1 to 7 for the TOP A, pattern 1 to 11 for the TOP B; according to your size.

Refer to our 'Adjust patterns for mixed sizes' technique

**LENGTHENING OR SHORTENING THE PATTERN PIECES** Our pattern is calculated for a height of 5â€™ 6â€™ (168 cm). If you are taller or shorter, you can adjust the pattern pieces along the lines marked “lengthen or shorten here”. This way the proper fit is maintained. Always adjust all pattern pieces along the same line to the same degree.

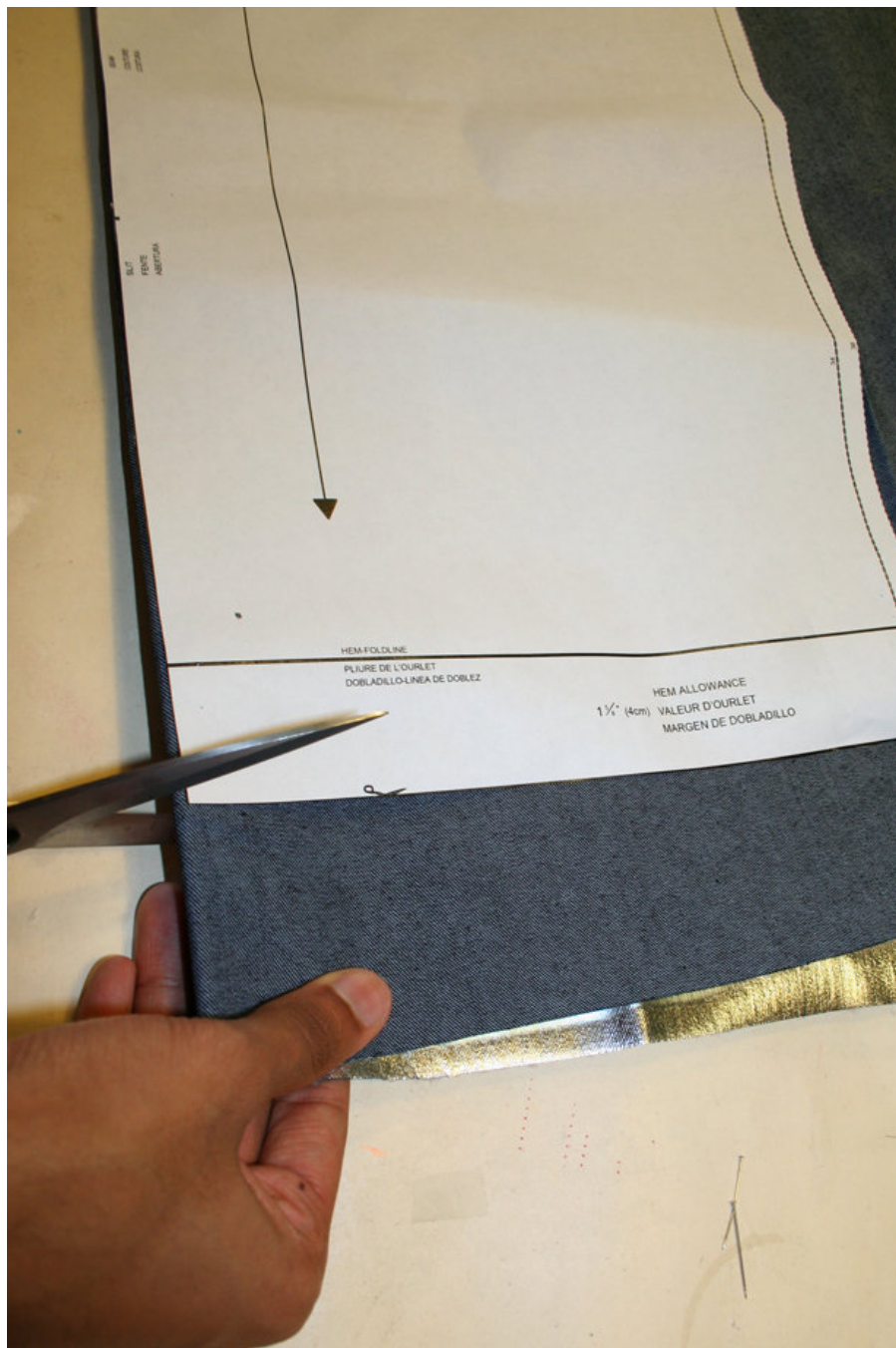
How to lengthen and shorten pattern pieces: Cut the pattern pieces along the marked lines

To lengthen, slide the two halves of the pattern piece as far apart as necessary.

To shorten, overlap the two halves of the pattern piece as far as necessary. Blend the side edges.

---

## Step 4



CUTTING OUT FOLD (â' â' â' â' ) means: Cut on the fold, the fold being the center of the pattern piece, but never a cut edge or seam. The piece should be cut double, with the fold line forming the center line. Pattern pieces that are outlined with a broken line in the cutting diagrams are to be placed face down on the fabric. The cutting diagrams on the pattern sheet show how the pattern pieces should be placed on the fabric.

The cutting diagrams show the placement of the pattern on the fabric. For a single layer of fabric, the pattern pieces are pinned to the right side. For double layers of fabric, the right sides are facing and the pattern pieces are pinned to the wrong side. The pattern pieces that are shown extending over the fold of the fabric in the cutting diagram should be cut last from a single layer of fabric. B fabric: Cut pieces 8 to 10 from the B contrasting fabric.

---

## Step 5

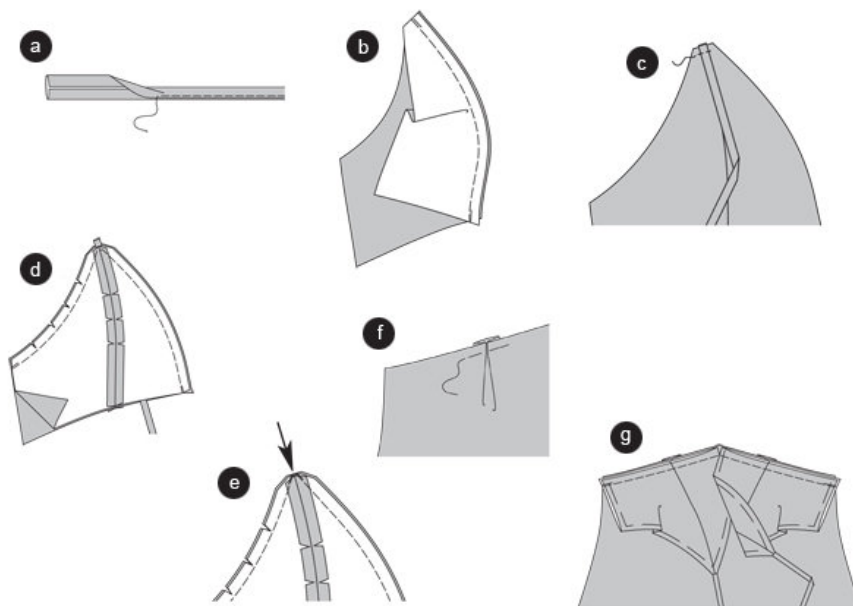
SEAM AND HEMLINE ALLOWANCES are included on an average: 1 1/2" (4 cm) for the hemline, 5/8" (1.5 cm) for all edges and stitches. Using BURDA copying paper, transfer the lines and signs of the pattern onto the wrong fabric side. Instructions can be found in the packaging.

### SEWING

While sewing, the right sides of the fabric are facing. Transfer all lines of the pattern onto the right side of the fabric using basting stitches.

---

## Step 6



### A TOP STRIPS

Fold the long edges of the strips to the center line, then press. Fold the strip into half and press again. Pin the edges together and stitch narrowly.

AB

Top

Bust pieces (doubled)

Position the center bust pieces and the side bust pieces together, right sides facing. Pin the princess seams (seam 1) and stitch. Trim allowances, snip in and press apart (a).

A Pin the strips on the upper edge of one left and one right bust piece (b), right sides facing.

Position the bust pieces together, right sides facing. Position the neckline edges together according to the image and stitch (b).

A Sandwich the strips

B Do not stitch at the arrow (arrow) ©, but continue the seam to both sides.

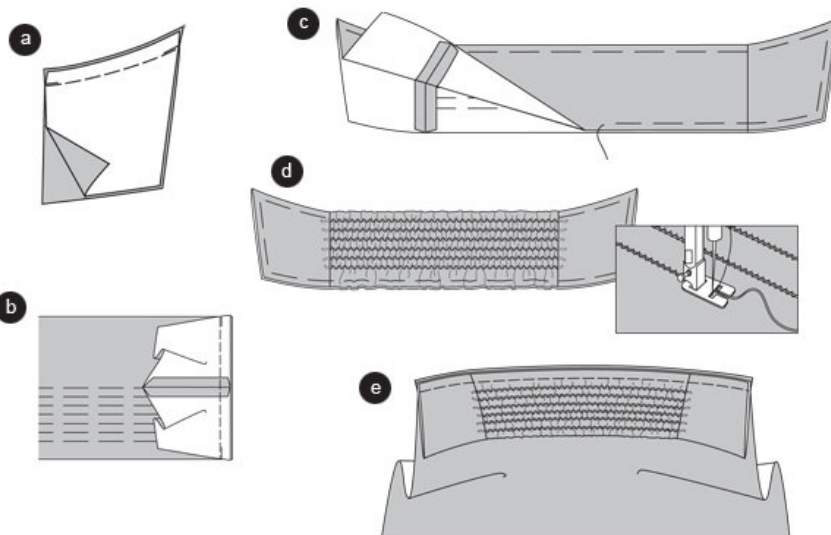
Trim allowances, snip in. turn pieces. Pin the edges and press. Pin the edges together.

Bring the pleats at the front piece in position as the arrow shows, pin (d).

Pin the bust pieces on the front piece (seam 4), right sides facing. the edges meet at the center front. Stitch. Trim allowances, neaten and press (e).

---

## Step 7



### BACK PIECE

Position together the two pairs of side back pieces, right sides facing. Pin the top edges and stitch. Trim allowances and press (a).

Position the side back pieces and the center back piece, right sides facing. Pin princess seams (seam 2). The seam meets the fold line. Trim allowances and press (b).

Fold the center back piece along the FOLD LINE inside and pin. Position the side back pieces together, wrong sides facing. Pin the edges ©.

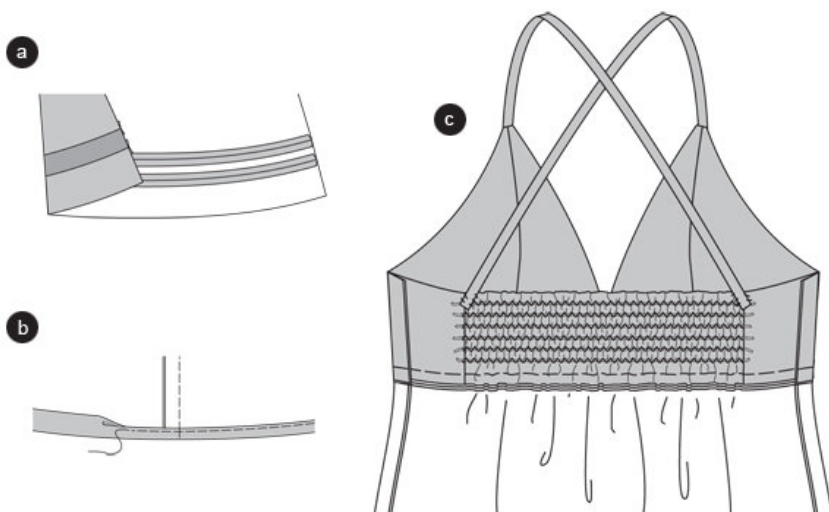
Position the elastics on the center back piece. Stitch over the elastics using narrow zigzag stitches. Make sure not to stitch into the elastics. Then tighten the elastics so that the back piece has a width of 8â' (20 cm).

Knot the threads at the princess seams and sew them down (d).

Position the top of the back piece on the bottom back piece (seam 3), right sides facing. Stretch the center piece. The princess seams meet the cross lines. Stitch the seam. Trim allowances, neaten and press (e).

---

## Step 8



### B HEM INSET

Position the top insets on the front and back pieces (seam 5), right sides facing. Position the bottom and top insets together and stitch (seam 6). Neaten allowances and press (a).

### AB SIDE SEAMS

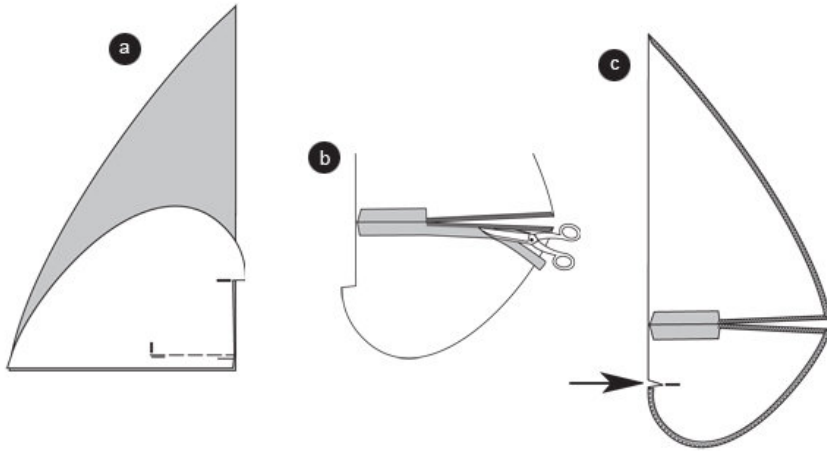
Position the front piece on the back piece, right sides facing. Pin side seams (seam 7). The cross lines meet. Stitch. Trim allowances, neaten and press inside the back piece.

Turn the HEM and press. Turn again and pin. Topstitch the hem narrowly (b).

A Cross the strips. Pin the princess seams under the back piece. Try the night gown on and adjust the length of the strips according to your size. Sew the strips by hand ©.

---

## Step 9



## B WINGS

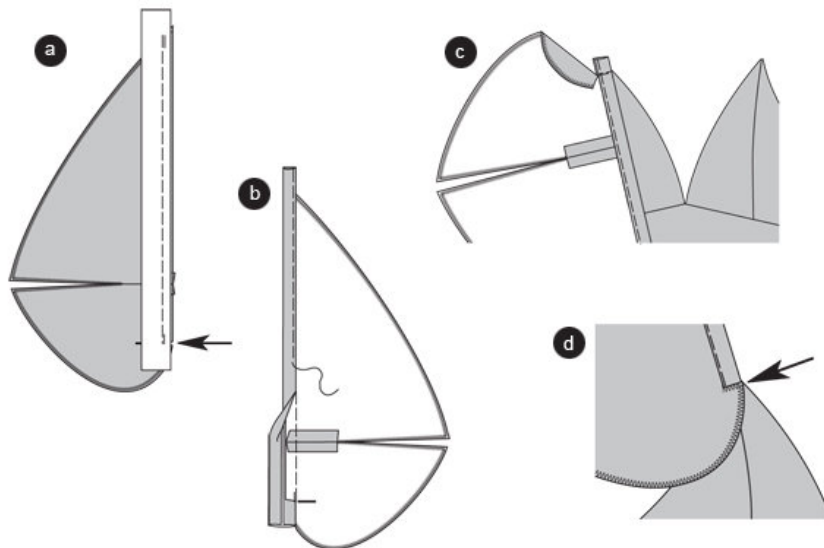
Position the front and back wing pieces together, right sides facing. Stitch the shoulder seams to the cross line (seam 8). Secure seam ends. Trim allowances, neaten and press. Turn the allowances along the slit inside and press (a).

Stitch along the fold line using tightly adjusted zigzag stitch. Trim the overlapping allowance close to the seam line (b).

ADVICE: Try it out using a fabric scrap. Use machine thread or darning cotton. Check stitch adjustment and thread tension. Snip it the front wings  $\hat{A}^{1/4}$  (0.7 cm) at the cross line ©. Turn and press the allowances of the outer wing edges and neaten.

---

## Step 10



## STRIPS

Pin the strips on the straight wing edges, right sides facing; the ends overlap the cut  $\hat{A}^{1/2}$  (1.5 cm) (arrow).

Stitch the strips  $\hat{A}\frac{1}{4}\hat{a}$ ' (0.7 cm) wide. Press the allowances inside the strip. Fold and press the other edge  $\hat{A}\frac{1}{4}\hat{a}$ ' (0.7 cm) (a).

Turn the strips over the edge inside, pin the strip on the seam line and stitch narrowly (b).

Stitch the front ends of the strips on the bust pieces, right sides facing. Neaten and press inside the bust pieces ©. Stitch the cut edges on the strips using a tight zigzag stitch (d). Stitch the back strip ends.

---

**BurdaStyle**

Bambi