

Wide Legged Pants 02/2012

By: burda style magazine

<http://www.burdastyle.com/projects/wide-legged-pants-022012>



Wide legged pants sewing pattern.

Materials

Lightweight, softly draping trouser fabrics. Striped silk satin with a pattern repeat of 60 cm (24 ins), fabric width: 140 cm (55 ins) length: 2.40 m (2 5/8 yds) for all sizes. Elastic, 2.5 cm (1 in) wide and 0.35 0.40 0.40 0.45 0.45 m (14 16 16 18 18 ins) long. 1 invisible zip, 22 cm (9 ins) long, and a special presser foot.

Step 1 — Preparations



Paper cut for ANSI A (German DIN A4) prints:

This pattern is printed on 8.5 × 11 sheets of plain paper. Do not scale or center pages before printing. Wait until all sheets are printed out before beginning to tape them together. **Do not cut out pattern pieces yet**— Arrange the sheets on a large, hard, flat surface so that they fit together, matching up like numbers and letters (i.e. 6A to 6A). To tape pattern together, fold under the margin of one piece (6A) and tape right against the line of it's matching number/letter (6A).

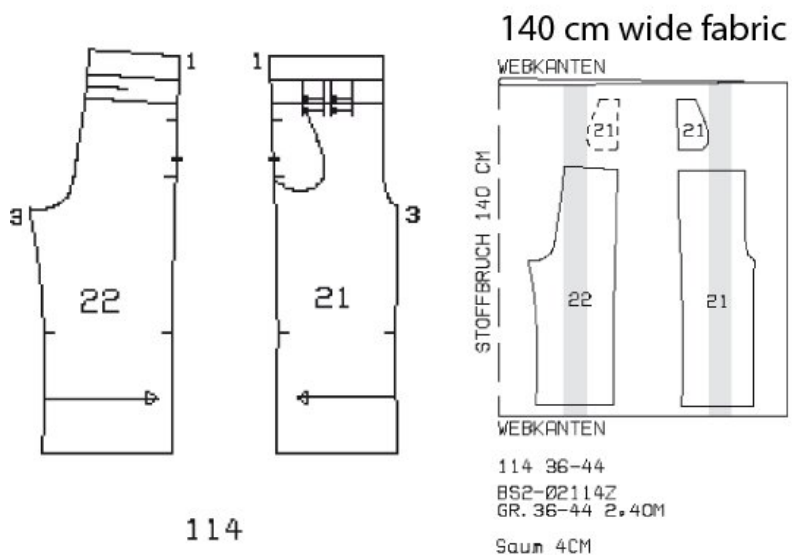
Trace the pattern pieces from the pattern sheet. Follow lines and details for style 114. Trace the pocket piece from piece 21 as a separate pattern piece, it is the same for all sizes.

The upper stitching line for the elastic casing on piece 22 is marked for size 36. For sizes 38- 44, remark the stitching line accordingly.

burda style magazine pattern do not have seam allowance included.

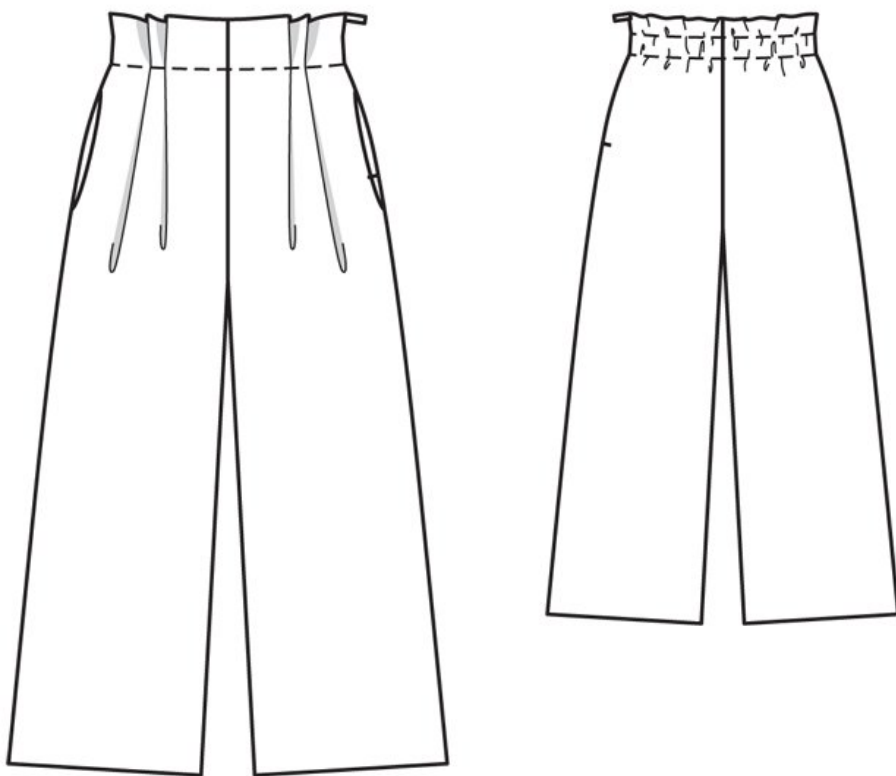
Seam and hem allowances to be added: Seams and edges 1.5 cm (5/8 in), hem 4 cm (15/8 ins).

Step 2 — Cutting out



21 front trouser piece, cut 2x
 pocket piece, cut 4x
 22 back trouser piece, cut 2x

Step 3 — Sewing



Right side seam and inseam pocket:

Stitch right side seam but do not stitch across pocket opening. Work from inside to pin pocket pieces to seam allowances of pocket opening edge, right side facing. Stitch pockets in place, directly along marked seam lines. Above pocket opening, stitch pocket pieces in place close to seam. Press pocket pieces onto front and stitch together. Baste upper pocket edges in place.

Left inseam pocket:

Pin one pocket piece right sides together with pocket opening edge of left front trouser piece. Stitch pocket piece in place between seam marks, at upper seam mark stitching diagonally up to edge of seam allowance and at lower seam mark stitching diagonally down. Clip seam allowances into corners. Turn pocket piece to inside. Press pocket opening edge. Lay remaining pocket piece right sides together with attached pocket piece. At pocket opening edge, seam allowance of pocket piece extends. Stitch edges of pocket piece together. Baste pockets to wrong sides of trouser pieces.

Invisible zipper:

Sew invisible zipper to left slit edges. The zipper should begin at marked fold line on upper trousers edge. Stitch left side seam below zip.

Stitch inside leg seams:

Pull one trouser leg into the other, with right sides facing. Stitch the centre front and back crotch seams as one continuous seam. Press seam allowances open, from upper edges to beginning of crotch curve.

Waist line:

On self-facing on upper trousers edge, press seam allowance to inside. Press self-facing to inside on fold line. In back, topstitch upper trousers edge as marked, to form elastic casing. Pull elastic into the casing. Stitch ends of elastic in place, along line of right side seam and 7 mm (1/4 in) from back slit edge, for a finished measurement of 33, 34, 36, 38, 40 cm (13, 13 1/2, 14 1/4, 15, 15 3/4 ins).

Topstitch upper edge of front trouser pieces as marked. Sew facing to zip tapes. Work from inside to stitch pleats in front trouser pieces, between arrows, and baste pleats above upper arrow. Lay pleats in direction of arrows and press. Remove basting. On inside, sew pleat folds to facing at level of pleat seams.

Hem:

Press hem allowances to inside and sew in place by hand.

BurdaStyle

Wide Legged Pants 02/2012