

Cocktail Dress 04/2012

By: burda style magazine

<http://www.burdastyle.com/projects/cocktail-dress-042012>



Cocktail dress sewing pattern. This gorgeous classic cocktail dress features a draped neckline and a flounce detail on the side. Made from beautiful silk georgette. We recommend drapy lightweight dress fabrics for this fun project.

Materials

Georgette, 135 cm (53 ins) wide: 3.05 3.10 3.15 3.20 3.20 m (3 1/2 yds). Vilene Bias Tape/stay tape.

Step 1 — Preparations



Paper cut for ANSI A (German DIN A4) prints:

This pattern is printed on 8.5 × 11 sheets of plain paper. Do not scale or center pages before printing. Wait until all sheets are printed out before beginning to tape them together. **Do not cut out pattern pieces yet**— Arrange the sheets on a large, hard, flat surface so that they fit together, matching up like numbers and letters (i.e. 6A to 6A). To tape pattern together, fold under the margin of one piece (6A) and tape right against the line of it's matching number/letter (6A).

Trace the pattern pieces from the pattern sheet following the lines and markings for the correct size.

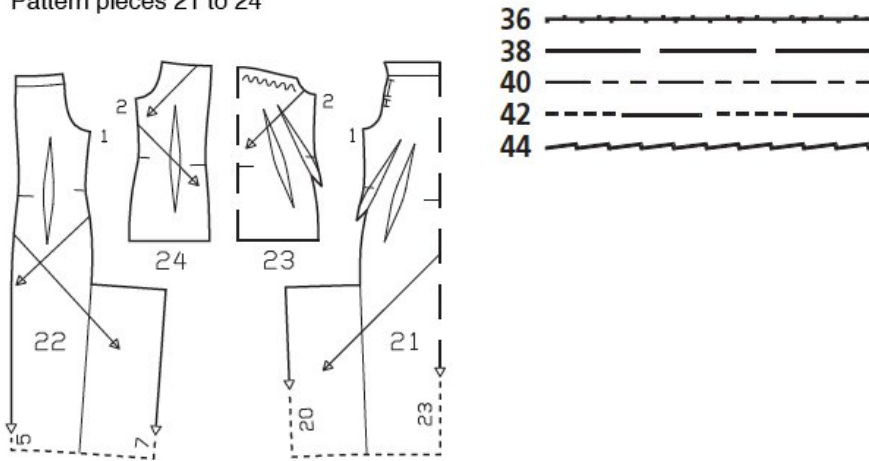
Lengthen pieces 21 and 22 as indicated. Note the different lines for left side seam and integrated right flounce on pieces 21 and 22. Tip: Trace the left front from the front piece as a separate pattern piece. Tape both pieces together at centre front.

The pleat arrows on piece 21 are marked for size 36. For the other sizes, mark pleat arrows accordingly.

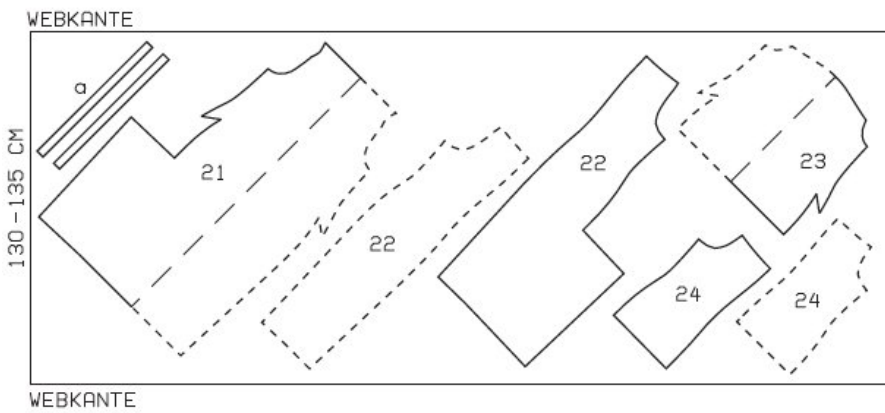
burda style magazine pattern do not have seam allowance included. Seam allowance to be added: Seams, edges and hem 1 cm (3/8 in).

Step 2 — Cutting out

Pattern pieces 21 to 24



Cut the pieces on the bias of a fabric with a width of 130 - 135 cm



- 21 front, on a fold 1x
- 22 back 2x
- 23 inside front, on a fold 1x
- 24 inside back 2x

Also draft and cut the following piece, not included as a piece in the pattern sheet:

- a) 2 bias strips for straps and binding, 49 50.5 52.5 54 56 cm (19 1/4 20 20 3/4 21 1/4 22 1/4 ins) long, 3 cm (1 1/4 ins) wide (incl. allowances).

Vilene Bias Tape/stay tape: Iron to wrong side of armhole edges of inside front and back pieces.

Step 3 — Sewing



Stitch darts in front. For sizes 42, 44, trim allowances of side darts to 1 cm (3/4 in) wide and neaten. Press darts toward centre. Fold pleats in armhole edges of front in direction of arrows and baste.

Stitch centre back seam and back darts. Press centre seam allowances onto right back and press darts toward centre.

Stitch right side seam from upper edge to corner. Stitch upper edges of integrated flounce together, from corner. Stitch left side seam.

On inside pieces, stitch darts and seams. On lower edge, turn allowance to wrong side, turn raw edge under, and stitch. Pull inside front and back over dress, with right sides facing. Stitch upper edge of inside front to inside edge of front self-facing, slightly easing inside front. Stitch upper edge of inside back to inside edge of back self-facing, slightly stretching back. Press seam allowances onto inside pieces. Turn self-facings with inside pieces to inside on fold line. Baste armhole edges together, next to seam allowances. Trim away allowances on armhole edges.

Armhole edges and straps: Fold bias strips in half lengthwise, right fabric side facing out, and press. Unfold strips out flat again. Now fold each long edge in to the pressed fold, one after the other, and press again. Before trying on garment, baste bias strips to armhole edges so that they extend past upper edges, 17 17 17.5 17.5 18 cm (6 3/4 6 3/4 7 7 7 1/8 ins) long, for straps. Try dress on and determine correct length of straps. After trying on garment, remove bias strips again and stitch ends of strips to gether to the required length

(armhole edge plus strap). Unfold bias strips and pin to armhole edges. Work from inside to pin strips to armhole edges, 7 mm (1/4 in) from edge, along the pressed fold, matching seam of each bias strip to side seam and with straps extending at the top. Stitch bias strips in place. Fold strips over armhole edges to inside, turn edges under, and baste. Fold strap edges under and baste together. Stitch as basted.

Neaten hem and flounce edges with closely spaced zigzag stitching, Press allowance to wrong fabric side. Work from right side to stitch along fold edge with short, closely spaced zigzag stitching. On inside, carefully trim allowance close to stitching.

BurdaStyle

Cocktail Dress 04/2012