

Button-down Top 06/2012

By: burda style magazine

<http://www.burdastyle.com/projects/button-down-top-062012>



This casual blouse is easy to wear, and perfect for those hot spring and summer days. Here it is made in a light weight denim for a country-look, but could be made in a bright floral for a more feminine style. It has tailored features such as a button-up centre front, pockets and a collar.

Step 1 — Preparation



This pattern is printed on 8.5 × 11 sheets of plain paper. Do not scale or center pages before printing. Wait until all sheets are printed out before beginning to tape them together. **Do not cut out pattern pieces yet**— Arrange the sheets on a large, hard, flat surface so that they fit together, matching up like numbers and letters (i.e. 6A to 6A). To tape pattern together, fold under the margin of one piece (6A) and tape right against the line of it's matching number/letter (6A).

Trace the pattern pieces from the pattern sheet following the lines and markings for the correct size and the correct style (103). (This pattern also includes pattern pieces, lines and markings for style 104 and 105 that should be ignored.)

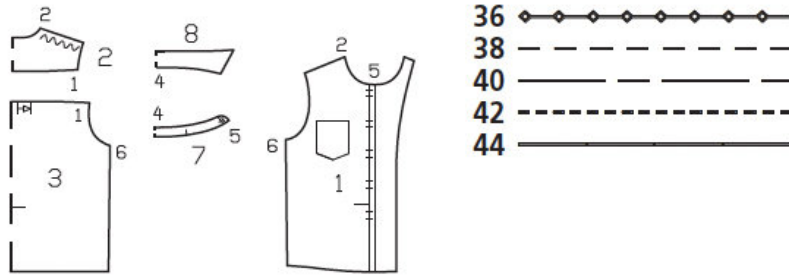
Trace the pocket from piece 1 as a separate pattern piece. The buttonholes on piece 1 are marked for size 36. For sizes 38 to 44, mark the top buttonhole the same distance from neck edge as for size 36. The bottom buttonhole is the same for all sizes. Space the other buttonholes evenly in between.

burda style magazine pattern do not have seam allowance included.

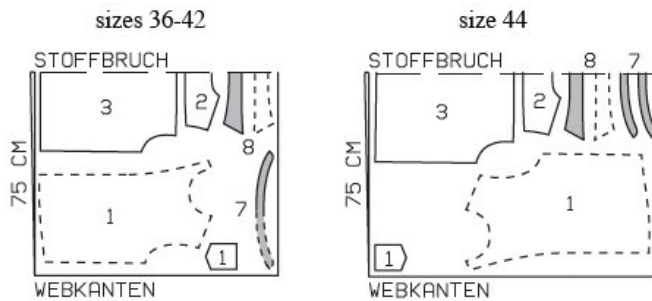
Seam and hem allowances to be added: Use a ruler and tailor's chalk to mark allowances around the paper pattern pieces: 1.5 cm (5/8 in) at all seams and edges. Cut out the fabric pieces on these lines.

Step 2 — Cutting Out

Pattern Pieces 1-3, 7, 8



Lay pattern pieces according to the diagram below. Fabric width: 150 cm



Stoffbruch = fabric fold
Webkanten = selvage

TIP: For sizes 36 to 42, it will be easier to cut out the collar stand if you trace piece 7 twice from the pattern sheet and glue the pieces together at the centre line.

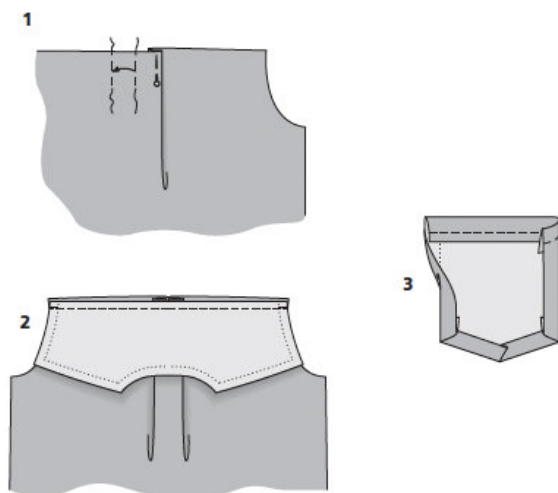
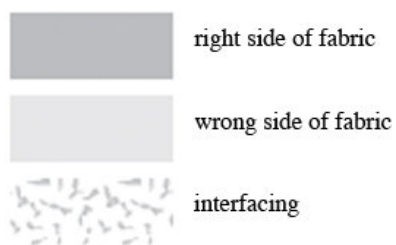
Denim:

- 1 front 2x
- pocket 2x
- 2 back yoke, on a fold 1x
- 3 back, on a fold 1x
- 7 collar stand, on a fold 2x
- 8 collar, on a fold 2x

Interfacing:

Fuse interfacing to wrong side of fabric of pieces 7 and 8

Step 3 — Sewing Steps 1-3



Pleats:

Work from right fabric side of back to fold pleats in direction of arrows. Baste pleats in place (1).

Yoke:

Pin yoke to upper back edge. Stitch in place (2).

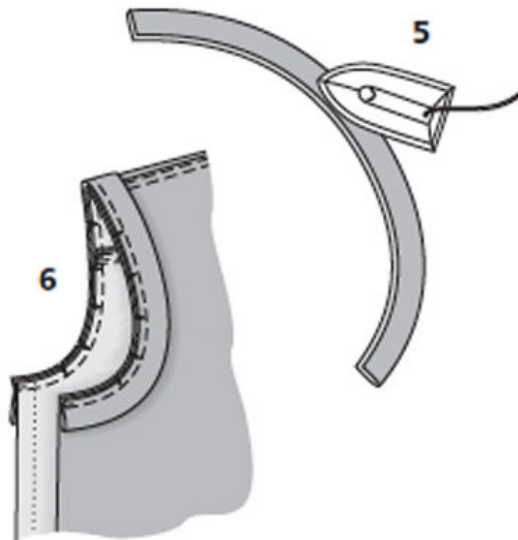
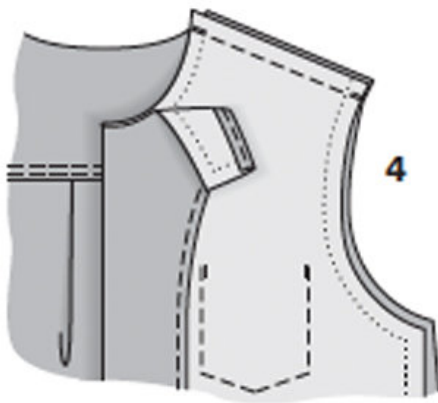
Neaten seam allowances together and press onto yoke. Topstitch yoke close to joining seam and again 7 mm (1/4 in) from seam (top stitching thread).

Pockets:

Neaten all edges of each pocket piece. Press allowance on upper edge to inside. Topstitch 1 cm (3/8 in) from upper pocket edge (topstitching thread). Press allowances on remaining pocket edges to inside (3).

Pin pockets to fronts to meet marked placement lines. Edgestitch side and lower edges in place (topstitching thread).

Step 4 — Sewing Steps 4 - 6



Front edges:

Trim allowance on vertical edge of each self-facing to 7 mm (1/4 in) wide. Neaten this edge. Press allowance on this edge to wrong side and edgestitch in place. Fold self-facings to inside. Press front edges.

Shoulder seams:

Lay fronts right sides together with back (yoke). Pin the shoulder seams, not catching facings. Stitch (4).

Neaten seam allowances together and press onto fronts. Topstitch fronts close to joining seam and again 7 mm (1/4 in) from seam (topstitching thread). Turn self-facings to inside again, baste to neck edge and sew to seam allowances of shoulder seams.

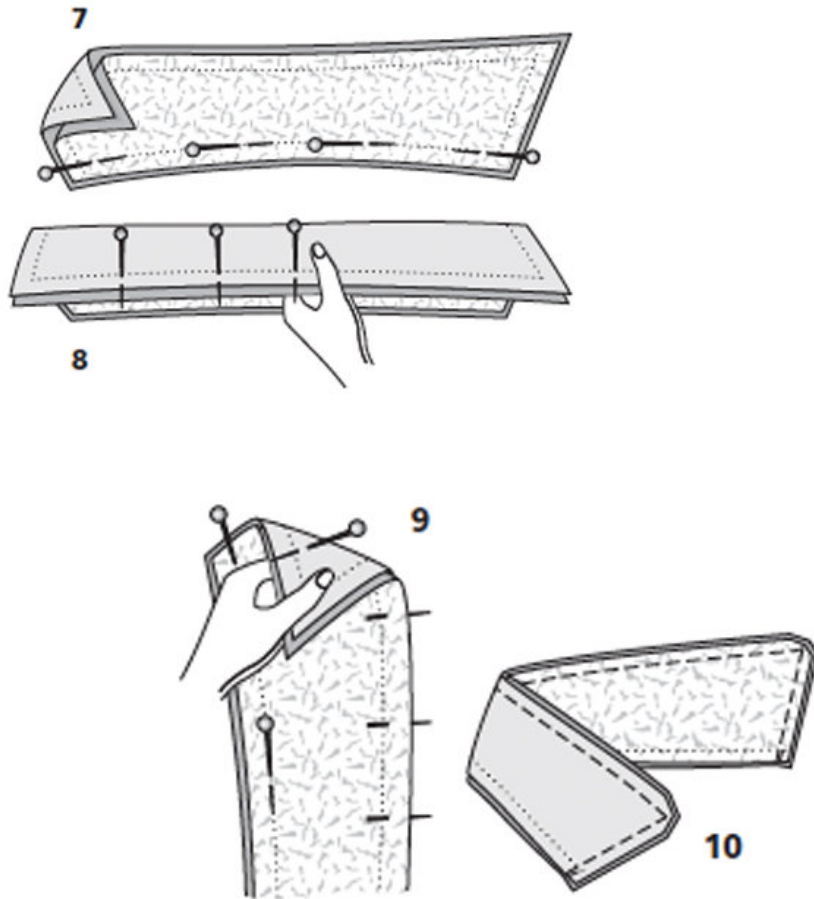
Face armhole edges with bias tape:

Fold the bias tape in half lengthwise, wrong side facing in. Press the bias tape, shaping it to fit the armhole edge, e. g. stretch the fold edge and ease the open edges (5).

Pin the bias tape right sides together with armhole edge so that fold edge of tape lies 1 cm (3/8 in) wide on front and back/yoke and the open edges lie on the seam allowance. Stitch armhole edge to bias tape, along marked seam line. Trim seam allowances and clip curves (6).

Turn bias tape to inside. Press edges but do not yet topstitch.

Step 5 — Sewing Steps 7 - 10



Collar with collar stand:

Lay the collar pieces right sides together. Pin the joining edges together (7).

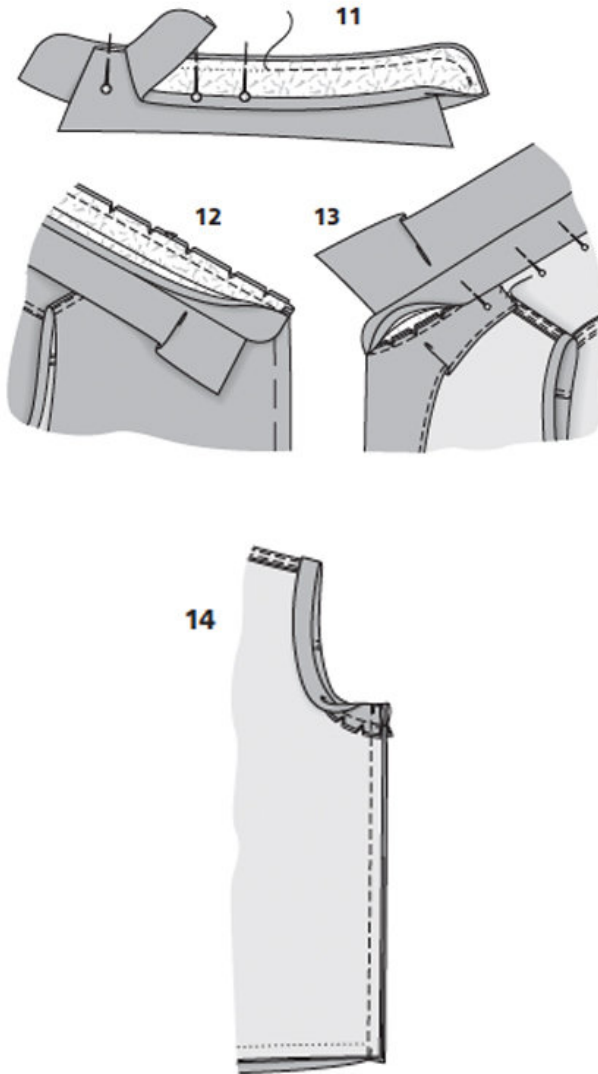
Roll the under collar to build in a little extra fullness and pin outer collar edges together, up to about 5 cm (2 ins) before the corners the seam lines will not match (8).

Then roll corners of collar and pin remaining outer collar edges together (9).

Work from under collar side to stitch outer collar edges together. Trim seam allowances, trimming corners diagonally (10).

Turn collar right side out. Baste edges and press.

Step 6 — Sewing Steps 11 - 14



Lay the collar right sides together with one collar stand piece (= outer collar stand piece), from centre front to centre front, with under collar lying below. Pin the collar in place. Press allowance on joining edge of other (inside) collar stand piece to the wrong side. Pin this collar stand piece right sides together with outer collar stand piece, over collar. Stitch collar stand pieces together, beginning and ending exactly at marked joining seam and not catching pressed-under seam allowances (inside collar stand piece) (11).

Trim seam allowances, clip curves. Turn collar stand right side out. Press. Pin outer collar stand piece right sides together with neck edge. Stitch. Trim seam allowances and clip curves (12).

Press allowance onto collar stand. Pin inside collar stand piece to joining seam (13).

Work from right side of blouse to topstitch close to all edges of collar stand (sewing thread), thereby catching inside collar stand piece at joining seam.

Side seams:

Turn the bias tape at the side edges of the armholes up flat again. Lay the fronts right sides together with the back. Pin the side seams and pin the ends of the bias tape to gether. Stitch (14).

Neaten the seam allowances together and press onto fronts. Topstitch the fronts close to the seam (topstitching thread).

Fold bias tape at armhole edges to inside again. Topstitch 7 mm (1/4 in) from armhole edges (top stitching thread).

Hem:

Turn self-facings flat forward again. Press hem allowance to inside, turn raw edge under to a hem width of 1 cm (3/8 in), and baste in place. Work from right side of blouse to topstitch 7 mm (1/4 in) from hem edge (topstitching thread).

Fold facings to inside again and sew to hem allowance. Topstitch close to front edges and again 3 cm (1 1/4 ins) from front edges (topstitching thread).

Buttonholes

Work buttonholes in right front edge and right front end of collar stand. Sew buttons to left front and left end of collar stand, to match.

BurdaStyle

Button-down Top 06/2012