

Flared Skirt 05/2012

By: burda style magazine

<http://www.burdastyle.com/projects/flared-skirt-052012>

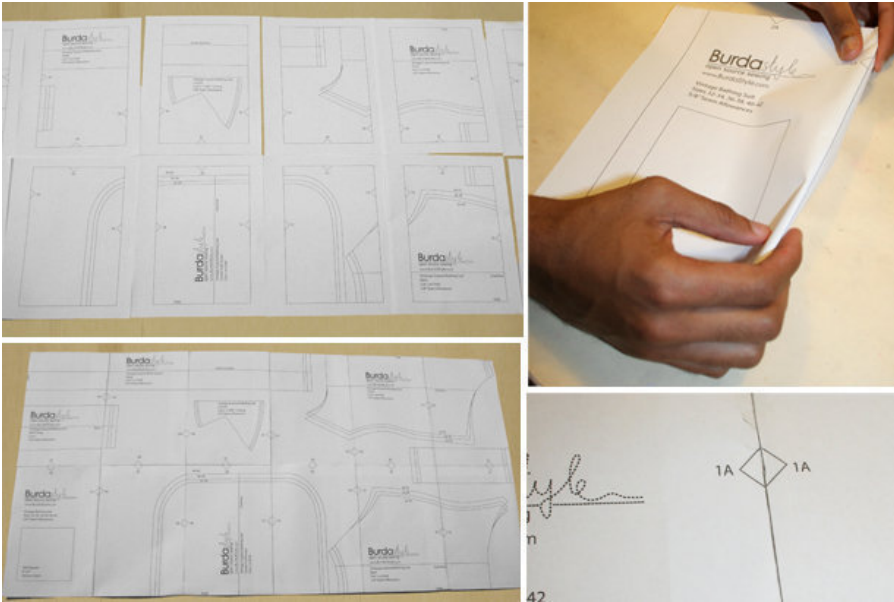


Flared skirt sewing pattern. This flared skirt has big pockets, princess seams and buttons down the front. It sits high in the waist and gives a wonderful retro feeling.

Materials

Linen, width: 150 cm (59 ins) length: 2.30 m (2 5/8 yds) for all sizes. Vilene/Pellon G 785. 6 flat inside buttons. 2 hammer-on snap fasteners.

Step 1 — Preparations



Paper cut for ANSI A (German DIN A4) prints:

This pattern is printed on 8.5 × 11 sheets of plain paper. Do not scale or center pages before printing. Wait until all sheets are printed out before beginning to tape them together. **Do not cut out pattern pieces yet**— Arrange the sheets on a large, hard, flat surface so that they fit together, matching up like numbers and letters (i.e. 6A to 6A). To tape pattern together, fold under the margin of one piece (6A) and tape right against the line of it's matching number/letter (6A).

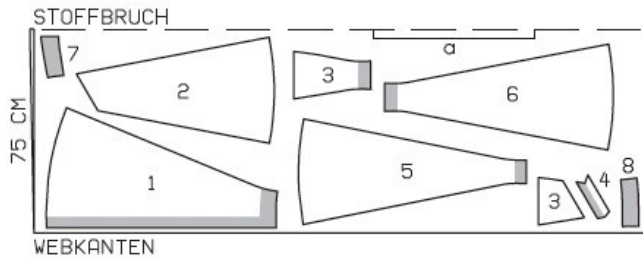
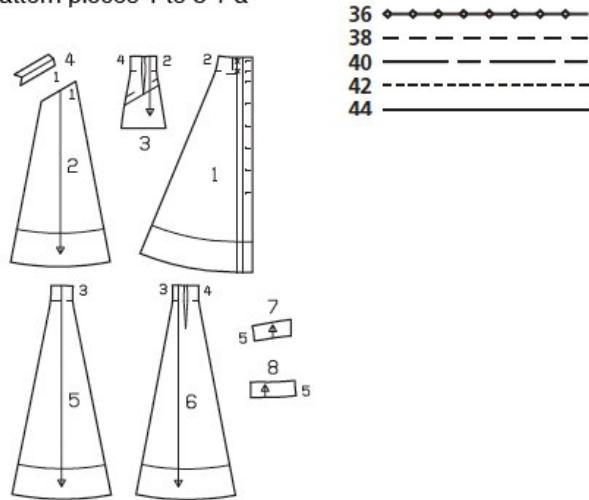
Trace the pattern pieces from the pattern sheet following the lines and markings for the correct size and style (106A). (This pattern also includes lines and pieces for style 106B, a shorter version of this skirt). Trace the pocket piece from piece 3 as a separate pattern piece.

burda style magazine pattern do not have seam allowance included.

Seam and hem allowances to be added: Seams and edges 1.5 cm (5/8 in), hem for view A 3 cm (1 1/4 ins), hem for view B 4 cm (1 5/8 ins).

Step 2 — Cutting out

Pattern pieces 1 to 8 + a



Fabric width 150 cm,

webbkanten = selvage
stoffbruch = fabric fold

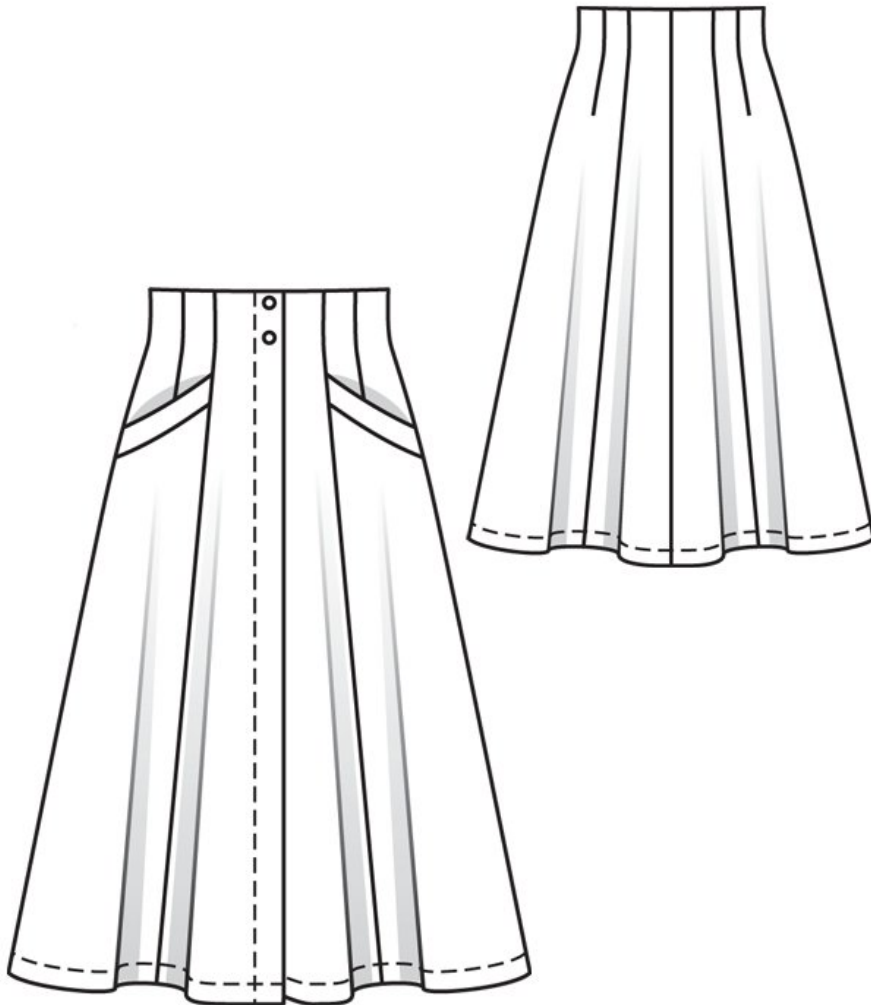
- 1 centre front skirt panel 2x
- 2 side front skirt panel 2x
- 3 side hip yoke with integrated pocket piece 2x
- 4 welt 2x
- 5 centre back skirt panel 2x
- 6 side back skirt panel 2x
- 7 front facing 2x
- 8 back facing 2x

Also draft and cut the following pieces, not included in the pattern sheet:

- a) backing strip for concealed fastening, 60 cm (23 3/4 ins) long, 5.5 cm (2 1/4 ins) wide (incl. allowances).

Interfacing: Iron interfacing, 5 cm (2 ins) wide, to wrong side of upper edges of skirt panels.

Step 3 — Sewing



Stitch darts. Press toward centre.

Fold welts lengthwise, with right side facing out, and press. Baste open long edges of each welt together to upper edge of side front skirt panel (seam number 1). Stitch pocket pieces to upper skirt panel edges, over welts. Turn pocket pieces to inside. Turn welts up and press. Pin welts to side hip yokes, at abutting lines. Stitch lower pocket edges together. Baste ends of welts in place. Baste pocket edges to wrong side of side skirt panels.

Stitch centre back seam, front and back section seams, and side seams. Press seam allowances open.

Press hem allowance to inside and stitch 2 cm (3/4 in) from lower edge.

Work buttonholes in right facing. Lay backing strips on inside of right front facing, beginning at upper skirt edge (right side facing wrong side). Stitch backing strip next to facing fold line and to inside facing edge.

Neaten inside facing edges.

On front edges, turn self-facings to outside and pin to upper edge. On facing for upper skirt edge, stitch centre back seam and side seams. Pin facing right sides together with upper skirt edge front facing ends lie over self-facings. Stitch along upper skirt edge. Turn upper facing up and stitch to seam allowances, close to seam. Turn facings to inside. Press front and upper edges. Sew self-facings to upper facing and to hem edge. Sew lower facing edge to seams.

Topstitch front skirt edges as marked.

Insert snap fasteners in front skirt edges as marked. Sew buttons to left front skirt edge, to match buttonholes.

BurdaStyle

Flared Skirt 05/2012