

Larissa

By: burdastyle

<http://www.burdastyle.com/projects/larissa>



James Dean, the Fonz, Joan Jett...The classic motorcycle jacket just oozes 'cool'. Here, we created a pattern for the ideal motorcycle jacket with all the essential details: asymmetrical center front with convertible lapel, zippered pockets, shoulder vents, tabs at the back waist, wrist zips...But then, instead of going down the

tried-and-true road with black leather, we decided to give a twist to this classic with a luscious mustard wool. We can't wait to see your interpretation!

Materials

Leather and faux leather can be tricky to sew, so perhaps try doing this jacket in wool, like we did. Silk lining, metal zippers, snaps, interfacing.

Step 1 — Step 1

**burda Download-Pattern
Jacket 6032 - Instructions**

mittel **körpernah**

| burda sizes | | 55 ins / 140 cm | | | | |
|-------------|-----|-----------------|-------|-------|-------|-------|
| | | 34 | 36 | 38 | 40 | 42 |
| Jacket | yds | 2 1/4 | 2 1/4 | 2 1/4 | 2 1/4 | 2 1/4 |
| | m | 1.85 | 1.85 | 1.95 | 1.95 | 1.95 |
| Lining | yds | 1 1/4 | 1 1/4 | 1 1/2 | 1 1/2 | 1 1/2 |
| | m | 1.20 | 1.20 | 1.25 | 1.25 | 1.25 |

→ with nap

Legend:

- right side
- wrong side
- interfacing
- lining
- batting

Patternpieces:

- 1 Right front piece 1x
- 2 Left center piece 2x
- 3 Left side front piece 1x
- 4 Center back piece 2x
- 5 Side back piece 2x
- 6 Pleated piece 2x
- 7 Side piece 2x
- 8 Upper sleeve 2x
- 9 Under sleeve 2x
- 10 Underlap / sleeves 2x
- 11 Collar 2x
- 12 Right front facing 1x
- 13 Back facing 1x
- 14 Waist band 2x
- 15 Pocket pouch 2x
- 16 Shoulder tab 4x
- 17 Tab 4x
- 18 Facing / sleeves 2x
- Lining pieces:
- 19 Right side front piece 1x
- 20 Left side front piece 1x

21 Back piece 1x
22 Slit facing / sleeves 2x

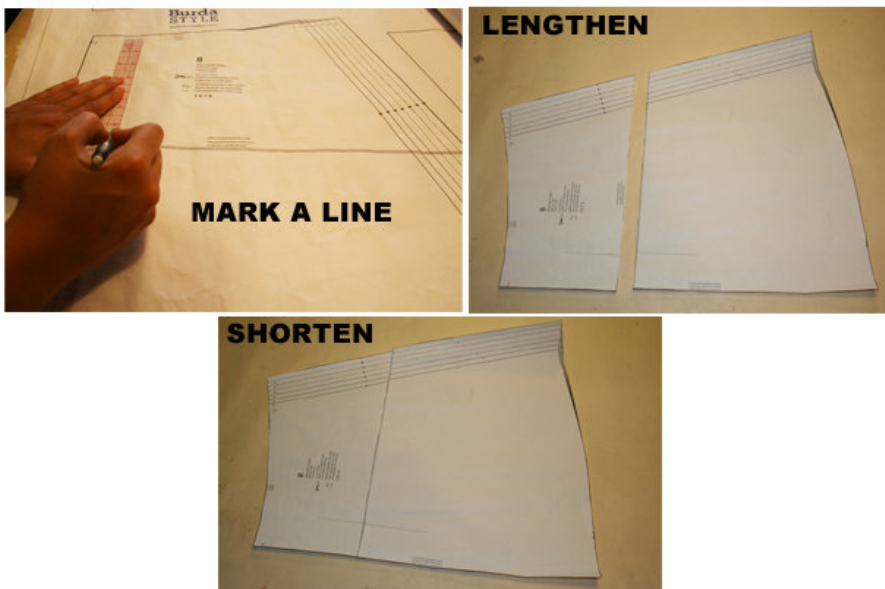
Fabrics: faux leather, poplin

Step 2



The patterns can be printed out at the copy shop. If you decide to print them at home, follow the instructions: Paper cut for ANSI A (German DIN A4) prints: The patterns are printed out on 40 sheets with a thin frame. Wait until all sheets are printed out. Arrange the sheets so that they fit together (see additional page with the overview of the prints). Fold the single sheets on the upper and right edge along the thin frame lines. Begin with the left lower sheet and then tape the frame lines together precisely.

Step 3



ADJUST PATTERN SIZES

Select your size according to the Burda-dimension table: dresses, blouses, jackets and coats according to the bust size, trousers and skirts according to the hip width. Change the pattern to fit your measurements if they deviate from the Burda-size chart. Cut out the pattern according to your size.

Refer to our [Adjust patterns for mixed sizes](#) technique

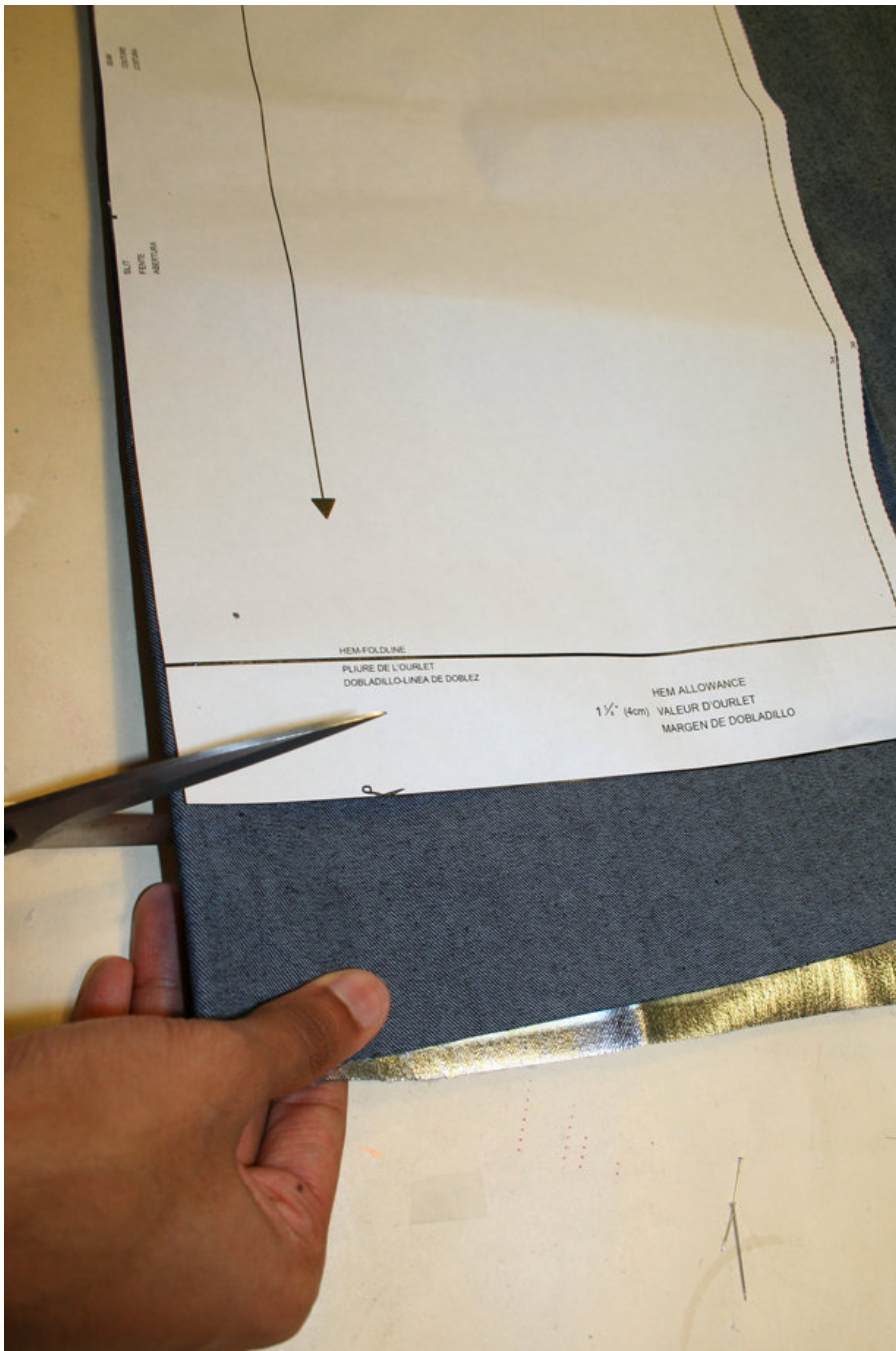
LENGTHENING OR SHORTENING THE PATTERN PIECES Our pattern is calculated for a height of 5'6" (168 cm). If you are taller or shorter, you can adjust the pattern pieces along the lines marked "lengthen or shorten here". This way the proper fit is maintained. Always adjust all pattern pieces along the same line to the same degree

How to lengthen and shorten pattern pieces: Cut the pattern pieces along the marked lines

To lengthen, slide the two halves of the pattern piece as far apart as necessary.

To shorten, overlap the two halves of the pattern piece as far as necessary. Blend the side edges.

Step 4



CUTTING OUT FOLD (â... â... â... â...) means: Cut on the fold, the fold being the center of the pattern piece, but never a cut edge or seam. The piece should be cut double, with the fold line forming the center line. Pattern pieces that are outlined with a broken line in the cutting diagrams are to be placed face down on the fabric. The cutting diagrams on the pattern sheet show how the pattern pieces should be placed on the fabric.

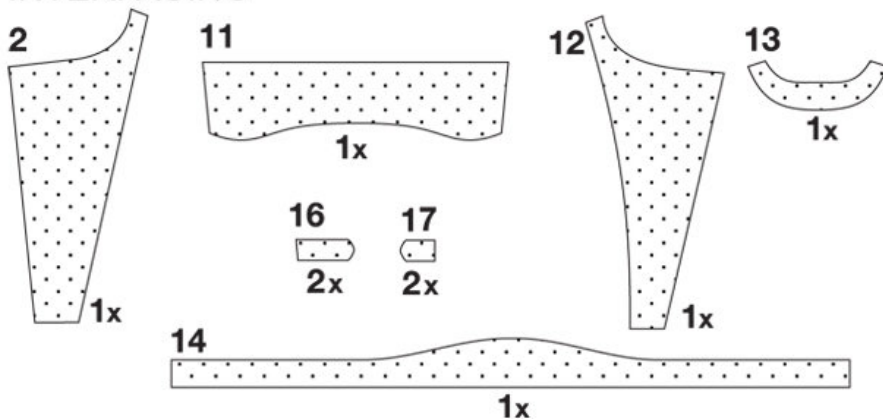
The cutting diagrams show the placement of the pattern on the fabric. For a single layer of fabric, the pattern pieces are pinned to the right side. For double layers of fabric, the right sides are facing and the pattern pieces are pinned to the wrong side. The pattern pieces that are shown extending over the fold of the fabric in the cutting diagram should be cut last from a single layer of fabric.

Important: Cut pieces 1, 3 and 12 from a single layer of fabric. Pin the patterns to the right side of the fabric,

the blank pattern side facing the fabric.

Step 5

INTERFACING



SEAM AND HEMLINE ALLOWANCES are included on an average: 1 1/2" (4 cm) for the hemline, 5/8" (1.5 cm) for all edges and stitches. Using BURDA copying paper, transfer the lines and signs of the pattern onto the wrong fabric side. Instructions can be found in the packaging.

LINING Cut the lining pieces 7, 8, 9, 15 and 19 to 22 according to the cutting diagram.

SEWING

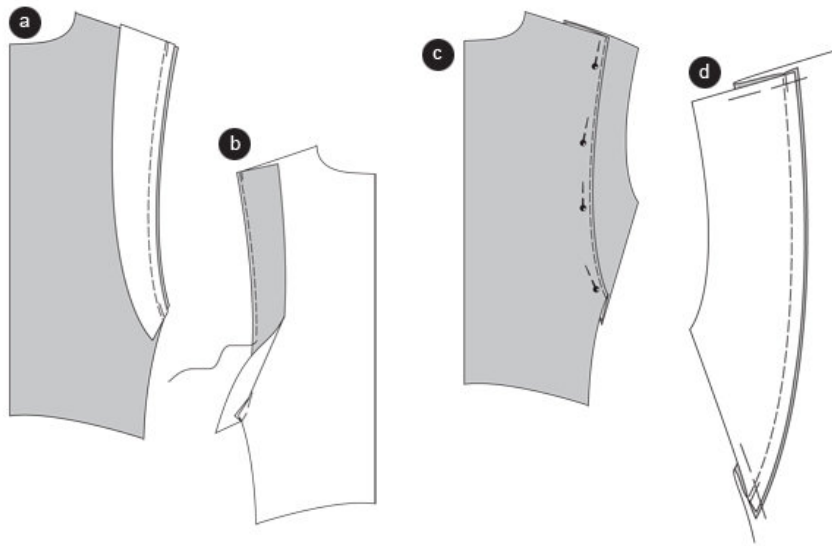
While sewing, the right sides of the fabric are facing. Transfer all lines of the pattern onto the right side of the fabric using basting stitches.

INTERFACING

Press the interfacing piece according to the cutting diagram onto the wrong side of the fabric.

Advice for faux leather: If possible, do not pin faux leather since the pin holes will stay visible. If the sewing machine foot does not carry the fabric, use Teflon-coated foot or stitch on tissue paper that will be removed after stitching. Press the faux leather carefully from the wrong side using a dry towel. Make a pressing test in advance.

Step 6



JACKET

Center back seam

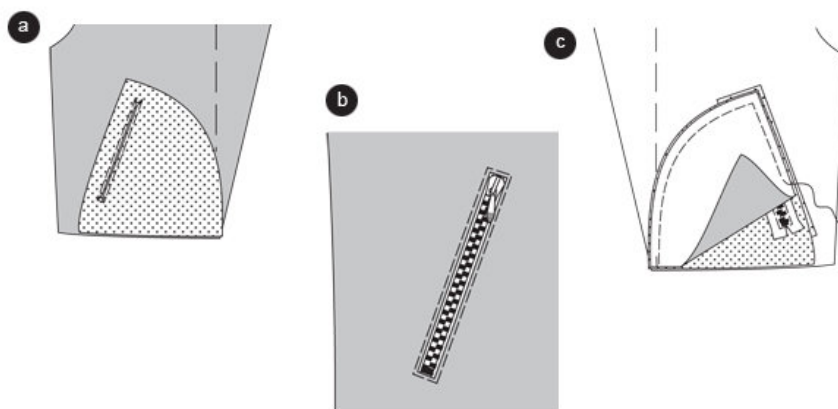
Position the center back pieces together, right sides facing. Stitch the center seam. Press allowances apart.

BACK PLEATS

Pin the pleated pieces on the back pieces (seam 2), right sides facing, stitch. Trim allowances (a). Turn the pleated pieces inside, press. Topstitch the edges narrowly (b).

Position the side back pieces on the back pieces; the edges meet the marked lines. The inner edges of pleated piece and side back piece meet (seam 3). Stitch. Pin the shoulder edges and side edges together ©.

Step 7



ZIPPER POCKETS

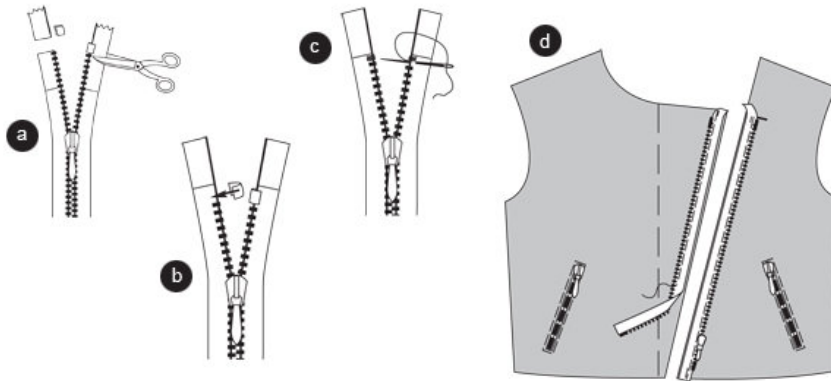
Cut interfacing strips, 1 1/2" (4 cm) wide and as long as the zipper. Press the strips over the marked pocket openings onto the wrong fabric side of the front pieces .

Position the lining pocket pouch on the front piece, right sides facing, so that the marked lines for the zipper meet. Stitch the pocket pouch along the lines. Cut between the stitch lines by $\hat{A}^{1/4}$... (0.7 cm) before the ends. Snip into the corners close to the stitch line (a).

Turn the pocket pouches inside out. Press the edges. Pin the zipper under the opening edges and stitch using a zipper foot (b).

Position the self fabric pocket pouch onto the fixed lining pocket pouch, right sides facing. Stitch the edges together according to the image ©.

Step 8



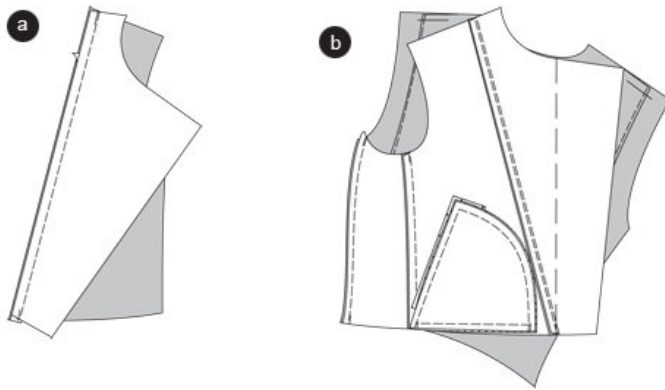
ZIPPER Since zippers are not always available in the requested length, you can shorten a zipper yourself without problems.

SHORTEN ZIPPER

Measure the length of the front edge (piece 1) and transfer to the zipper strip. Part the zipper. Cut the strips below the stopper. If you are using a metal zipper remove the stopper, but keep it. Pull the teeth from the zipper using a pair of pliers (a). Open the stopper carefully and apply it above the teeth on the zipper (b). If you are using a plastic zipper, the stopper canâ... t be reused. Instead, stitch machine buttonhole silk above the teeth on the zipper ©. Cut the overlapping zipper strip.

Pin the zipper onto the front edge of the right front piece, right sides facing. From the cross line, pin the other strip onto the left side front piece (d).

Step 9



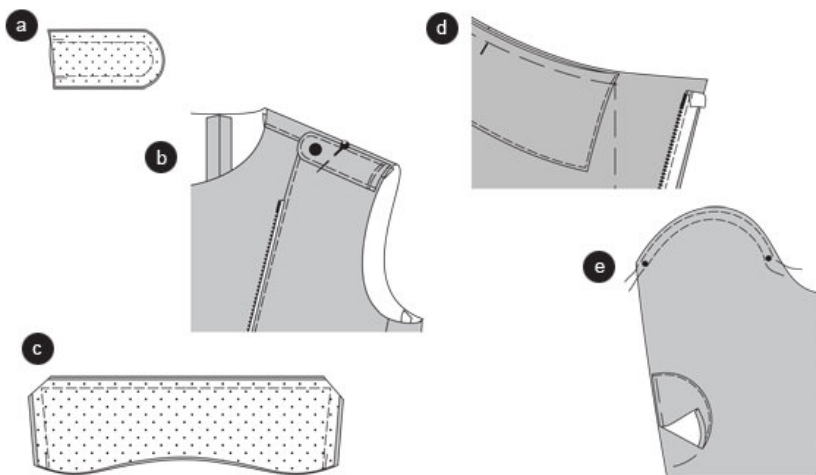
LEFT FRONT PIECE / PRINCESS SEAMS

Position the left center front piece on the left side front piece, right sides facing. Pin the seam (seam 1) and stitch enclosing the zipper. Press the allowance to the side. Topstitch the seam narrow (a).

FRONT AND BACK PRINCESS SEAMS

Stitch the side piece onto the front piece (seam 5) and the back piece (seam 4). Press the allowance inside the side pieces (b).

Step 10



SHOULDER SEAMS (brought forward)

Position the front piece on the back piece, right sides facing. Stitch shoulder seams (seam 6). Press the allowances inside the back piece. Topstitch the seams narrowly.

SHOULDER TAB

Position the pieces with and without interfacing together, right sides facing. Stitch the edges together. Trim allowances. Turn the tab. Press the edges and topstitch narrowly (a).

Work TOP of SNAP BUTTON in the taps. Pin the taps on the shoulder seams as marked, stitch on the allowances of the armholes (b).

Work the **BOTTOM** of the **SNAP BUTTON** in the shoulder seams.

COLLAR

Pin the collar pieces together, right sides facing. Stitch the edges together according to the image. Trim allowances, cut the corners at an angle. Turn collar and topstitch the edges narrowly ©.

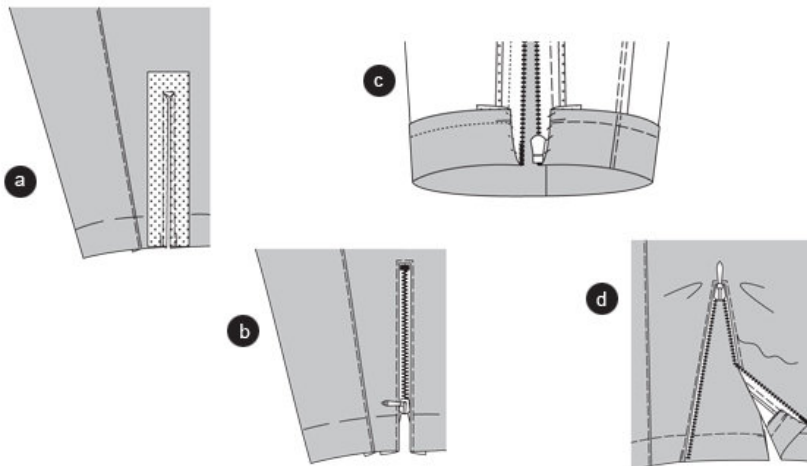
Pin the collar onto the neckline (seam 7), right sides facing and centers meet; the cross lines on the collar meet the shoulder signs (d).

SLEEVES:

Trim the allowances of the facing curve (piece 18) to $\hat{A}^{1/4}$... (0.7 cm); then turn inside. Press.

Pin the facing on the marked line on the upper sleeve and stitch narrowly. Double stitch from * to * along the curve using basting stitches. Position the upper and undersleeve together, right sides facing. Stitch the **UNDERSLEEVE** (seam 9). Press allowances inside the sleeve. Topstitch the seams narrowly (e).

Step 11



ZIPPER / FACING

Position the facing on the upper sleeve, right sides facing; the center lays on the marked opening for the zipper. Stitch the sleeves along the lines onto the facing. Snip in between the stitch lines $\hat{A}^{1/4}$... (0.7 cm) before the end. Snip in the corners close to the stitch line (a).

Fold the facing inside. Press the edges. Position the zipper under the opening edges in a way that the teeth are visible. Stitch the zipper using a zipper foot. Fold the sleeves lengthwise, right sides facing. Stitch the sleeve seams (seam 11). Press allowances apart (b).

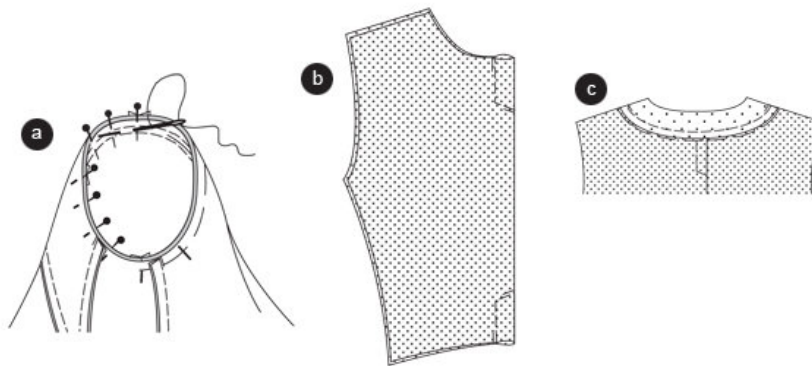
Turn the **SLEEVE HEMLINE** to the inside along the fold line. Stitch the edges onto the zipper strips. Stitch the sleeve seam 1 $\hat{A}^{1/4}$... (3 cm) wide, enclosing the hemline ©.

UNDERLAP

Fold the **HEMLINE** inside and stitch 1 $\hat{A}^{1/4}$... (3 cm) wide.

Pin the underlap under the zipper strips. Stitch along the stitch line of the zipper, enclosing the underlap (seam 10) (d).

Step 12



APPLY SLEEVES

Tighten the bobbin threads slightly.

Position the sleeve inside the armhole, right sides facing. When applying the sleeve 4 points are important for the right fit: the cross lines 12 on sleeve and front piece have to meet. The inner sleeve seams have to meet the cross lines on the side piece. The cross lines of the sleeve curve have to meet the shoulder signs on the back piece. The eased width has to be distributed in a way that does not pucker or create pleats. Stitch the sleeve on the sleeve side. Trim allowances and press inside the front and back piece (a).

LINING

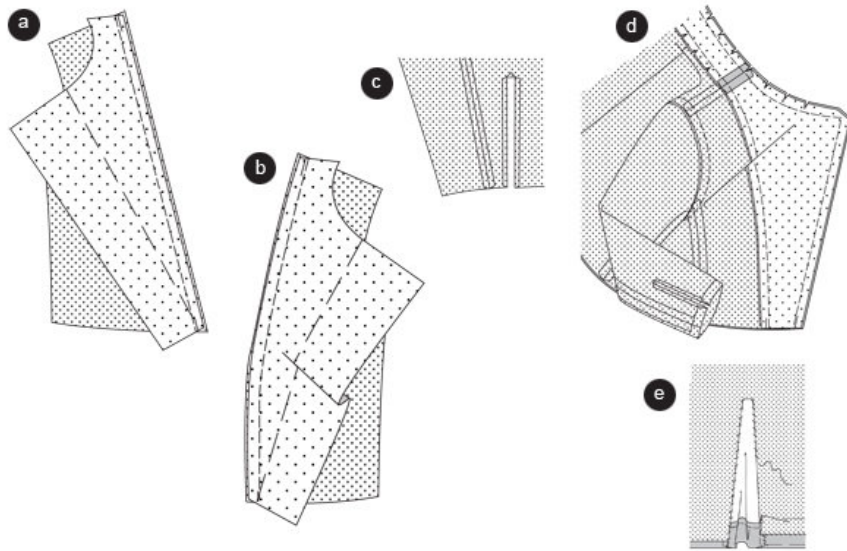
BACK PIECE / PLEAT

Fold the back piece lengthwise, right sides facing. Stitch along the marked lines of the pleat. Secure seam ends. Press the pleat to the side (b).

Stitch BACK PRINCESS SEAMS (seam 4). Press allowances apart.

Stitch the back facing on the lining back piece, right sides facing. Snip in allowances and press inside the lining ©.

Step 13



FRONT PRINCESS SEAMS

Position the left interfaced center front piece (left facing) on the left lining side front piece, right sides facing. Stitch the princess seams. Press the allowances inside the lining (a).

Stitch the front facing on the lining right side front piece (seam 14), right sides facing. Press allowances inside the lining (b).

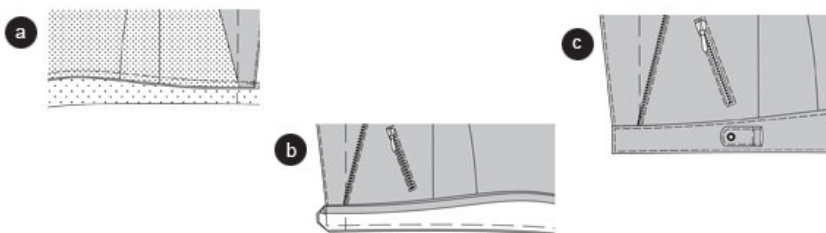
Stitch **SHOULDER SEAMS** (seam 13). Press allowances apart. Stitch the back sleeve seams. Press allowances apart.

Snip in the upper sleeve and the corners as marked. Press the allowances inside. Stitch the seams of the undersleeve. Press allowances apart. Press the allowances of the sleeve edges inside. Apply the lining to the sleeves ©.

Pin the facing and lining on the jacket (seam 8), right sides facing and the seams meet. Stitch the neckline edges and front edges together, sandwiching the collar. Trim allowances, snip in; cut the corners at an angle. Turn the jacket. Pin the edges and press. Topstitch the front edges narrowly. Pin the bottom edges of the lining onto the jacket, wrong sides facing; the seams meet (d).

Stitch the opening edges of the lining sleeve on the allowances along the underlap. The lining will be slightly bigger and sewn on the sleeve hemline (e).

Step 14



WAIST BAND

Stitch the interfaced waist band on the bottom jacket edge (seam 15), right sides and centers are facing. Press allowances inside the waist band. The end of the waist band extends over the right front jacket edge and will be trimmed later (a).

Position the waist band pieces together; pin the bottom edges together. Stitch the front center of the right waist band end; stitch the front edge of the left waist band end. Trim allowances and cut the corners at an angle. Turn the waist band, press the edges. Fold the inner waist band edge over the seam line, pin. From the right side of the fabric, topstitch the waist band narrowly, thereby catching the inner half of the waist band (b).

Work the top of the SNAP BUTTON, as marked, into the right waist band edge. Close the zipper and mark the spot for the bottom snap button onto the left front piece. Work the bottom piece in the marked spot. Stitch the TAP (piece 17). Apply the TOP of SNAP BUTTON into the tap.

Stitch the top of the bar onto the marked line. Secure seam ends. Press the bar over the seam line towards the back edge. Work 2 SNAP BUTTON bottom parts, spaced out 1 ½" (4 cm), into the waist band ©.

BurdaStyle

Larissa