

# Marie

By: burdastyle

<http://www.burdastyle.com/projects/marie>

---



High waists are IN in high fashion! Create your own with the Marie skirt. This pleated skirt is super simple and easy to make. You can try it in a bright color like we did, or opt for a more sophisticated office look using a classic black or gray.

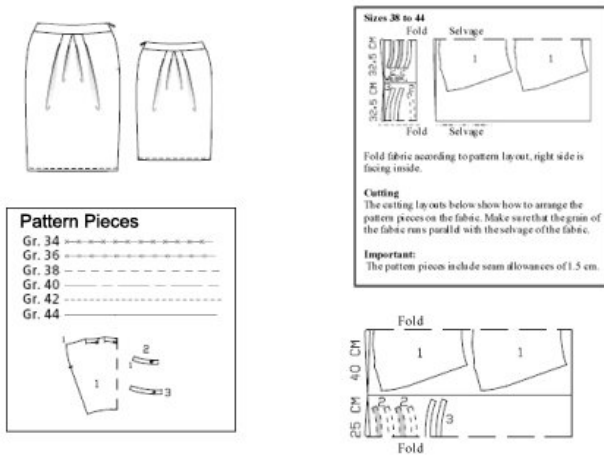
## Materials

Wool/silk blend

---

# Step 1

## Burda Download-Pattern Skirt Easy Fashion 9177- Instructions



### Skirt Fabric

- 1 Front Skirt Piece at Fold 1x
- 2 Back Skirt Piece at Fold 1x
- 2 Front Waistband at Fold 2x
- 2 Back Waistband at Fold 2x
- 3 Front Seam Facing at Fold 1x
- 3 Back Skirt Facing at Fold 1x

Fabric: Taffeta, 51" (130 cm) wide

Length:

Sizes 34, 36: 49" (1.25 m),

Sizes 38, 40, 42, 44: 59" (1.5 m)

8" (0.2 m) interfacing for fabric

1 Seam Zipper, 8" (22 cm) long

Fabric recommendation: Heavy Weight Fabrics

---

## Step 2



The patterns can be printed out at the copy shop. If you decide to print them at home, follow the instructions: Paper cut for ANSI A (German DIN A4) prints:  
 The patterns are printed out on 8 sheets with a thin frame. Wait until all sheets are printed out. Arrange the sheets so that they fit together (see additional page with the overview of the prints). Fold the single sheets on the upper and right edge along the thin frame lines. Begin with the left lower sheet and then tape the frame lines together precisely.

### Step 3



#### ADJUST PATTERN SIZES

Select your size according to the Burda-dimension table: dresses, blouses, jackets and coats according to the bust size, trousers and skirts according to the hip width. Change the pattern to fit your measurements if they deviate from the Burda-size chart. Cut out the pattern according to your size (a). Tip: You can make cutting easier, if you additionally trace pattern pieces 1 and 3 once each and pattern piece 2 three times each.

Refer to our “Adjust patterns for mixed sizes” technique

#### LENGTHENING OR SHORTENING THE PATTERN PIECES

Our pattern is calculated for a height of 5’6” (168 cm). If you are taller or shorter, you can adjust the pattern pieces along the lines marked “lengthen or shorten here”. This way the proper fit is maintained. Always adjust all pattern pieces along the same line to the same degree (b).

How to lengthen and shorten pattern pieces:

Cut the pattern pieces along the marked lines

To lengthen, slide the two halves of the pattern piece as far apart as necessary.

To shorten, overlap the two halves of the pattern piece as far as necessary. Blend the side edges ©.

---

### Step 4



## CUTTING OUT

**FOLD** ( ) means: Cut on the fold, the fold being the center of the pattern piece, but never a cut edge or seam. The piece should be cut double, with the fold line forming the center line. Pattern pieces that are outlined with a broken line in the cutting diagrams are to be placed face down on the fabric. The cutting diagrams on the pattern sheet show how the pattern pieces should be placed on the fabric (a).

The cutting diagrams show the placement of the pattern on the fabric.

For a single layer of fabric, the pattern pieces are pinned to the right side. For double layers of fabric, the right sides are facing and the pattern pieces are pinned to the wrong side. The pattern pieces that are shown extending over the fold of the fabric in the cutting diagram should be cut last from a single layer of fabric (b).

## Step 5

SEAM AND HEMLINE ALLOWANCES are included on an average: 5/8" (1.5 cm) for all edges and stitches. Using BURDA copying paper, transfer the lines and signs of the pattern onto the wrong side of the fabric. Instructions can be found in the packaging.

### Interfacing

All parts that are depicted as grey areas in the pattern layout should be cut from lining with the same grain as the fabric parts. Iron the interfacing onto the wrong side of the outer waistband pieces and the outer flap pieces.

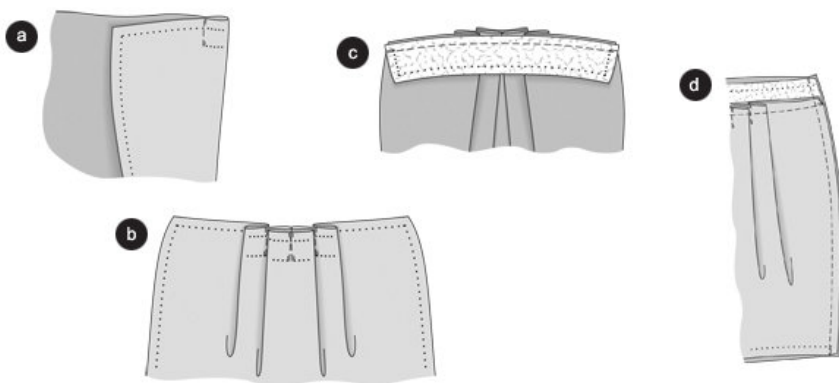
### Sewing

While sewing, the right sides of the fabric are facing.

Transfer all lines of the pattern onto the right side of the fabric using basting stitches.

---

## Step 6



### Pleats

Lay and stitch the pleats one by one, starting at a pleat at the side. Fold the skirt so that the fold lines of the first pleat meet, right sides facing. Pin the pleat lines onto each other from the top ending at the arrow line. Stitch. Secure seam beginning and end (a). Then lay the other pleats in the same manner and stitch. Press the fold towards the side seams (b). Pin the pleats to the upper edges of the skirt.

### Stitching the Outer Waistband

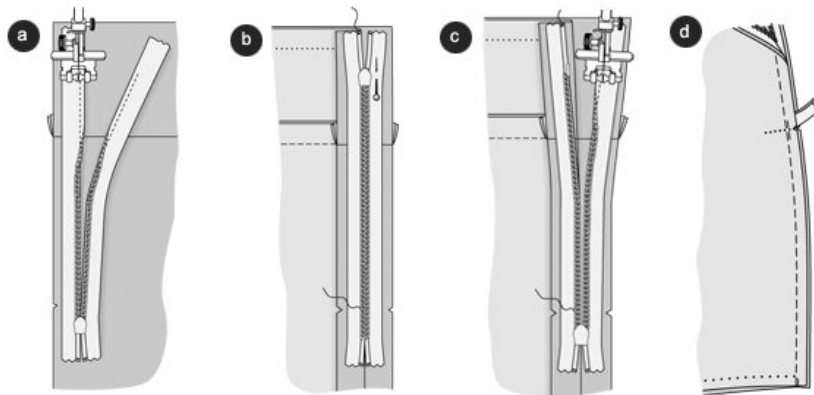
Pin the reinforced waistbands right sides facing onto the upper skirt edge. Stitch ©. Trim seam allowances and press the waistband flat.

### Right Side Seam

Place skirt pieces onto top of each other right sides facing, pin the right side seam. Stitch. (d) Fold apart and iron seam allowances.

---

## Step 7



### Seam zipper, Left Side Seam

Match left side seams and mark the end of the slit where the zipper will be inserted as depicted in the pattern with a notch. Open the zipper and press the zipper coil flat with your thumbnail so that the part of the seam between the band and the coil is visible.

Place the open zipper facing up onto the right side of the fabric at the back slit edge. The distance of the zipper band's edge to the seam allowance edge should be  $\frac{1}{8}$ " (5mm) (= seam allowances width minus 1 cm zipper band width). Pin the upper zipper end to the seam allowance edge. The bottom end of the zipper should overlap the marked slit ending.

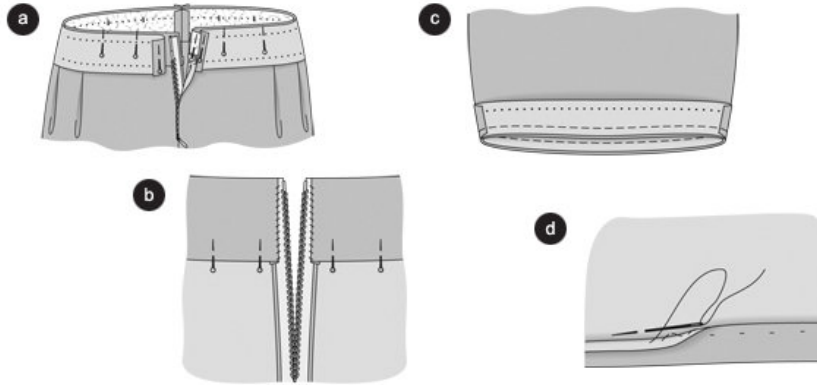
Place the sewing foot of your sewing machine onto the zipper so that the zipper coil is in the dent next to the needle (a).

Stitch the zipper starting at the top until you get to the slit marking. Close the zipper. Place the second zipper band facing up onto the front slit edge and pin at the top (b).

Open the zipper again. Place the sewing foot onto the upper end of the zipper, so that the coil lies in the dent left of the needle. Stitch the zipper starting at the top until you reach the slit marking, then close the zipper. Below the zipper place the skirt pieces onto each other right sides facing. Pin the left side seam from bottom until you reach the slit marking, placing the loose bottom end of the zipper toward the seam allowance. Stitch seam (d), using the zipper foot, sew as close as possible next to or below the last stitches of the zipper seams. Fold apart and iron the seam allowances, sew to the lower skirt edge.

---

## Step 8



### Doubling the Waistband (Turning it Over)

Stitch a side seam at the remaining waistband pieces. Fold apart and iron seam allowances. Pin the waistband piece without interfacing right sides facing onto the upper edge of the waistband piece with interfacing, seams meet. Fold the side edges of the waistband piece without interfacing to the outside at about 5mm from the slit edge. Fold the slit seam allowances of the waistband piece with interfacing to the outside, pin (a). Stitch along the upper waistband edge, trim seam allowances back to 4mm width. Turn the waistband piece without interfacing and slit seam allowances over to the inside. Iron edge, fold in and pin the waistband piece without interfacing above the waistband's base seam, sew onto the zipper bands (b). Stitch neatly around the waistband.

### Turning Over the Lower Skirt Edge

Place seam facing onto each other right sides facing, stitch side seams. Fold apart and iron seam allowances. Match upper seam edges, pin the facing right sides facing onto the lower skirt edge. Side seams meet. Stitch ©. Trim the seam allowances back to 4mm and fold apart, iron. Pin the facing over to the inside, iron the edge. Stitch neatly allowing 7 mm. Sew the inner edge of the facing loosely to the skirt by hand (d).

---

**BurdaStyle**

Marie