

# Amy S.

By: burdastyle

<http://www.burdastyle.com/projects/amy-s>

---



You need a warm sweater for the upcoming cold months. You don't feel like buying another one of those cable knits you still have from last year. But you don't know how to knit and learning that would take until next spring. The Amy sweater is a simple cut and sew knit hoodie. So simple that you can spend all your

time hunting down the right fabric. One of the images gives you a hint for next weeks pattern....)

## Materials

purl knit, rib knit

## Step 1

**burda Download-Pattern  
Shirt 6028 - Instructions**

leicht körpermah

burda sizes		39 1/2 ins / 100 cm						55 ins / 140 cm					
		34	36	38	40	42	44	34	36	38	40	42	44
Ribbed knit	yds m	1/4 0.60	1/4 0.60	1/4 0.60	1/4 0.60	1/4 0.60	1/4 0.60						
Shirt	yds m							1 1/4 1.50	1 1/4 1.50	1 1/4 1.50	1 1/4 1.50	1 1/4 1.50	1 1/4 1.50

→ with nap

Sweatshirt-  
stoffe,  
Strickstoffe

right side

wrong side

interfacing

lining

batting

Patternpieces:

- 1 Front piece 1x
- 2 Back piece 1x
- 3 Hood 2x
- 4 Sleeve 2x
- 5 Pocket 1x
- 6 Placket 2x
- 7 Sleeve cuff 2x
- 8 Waist band 2x

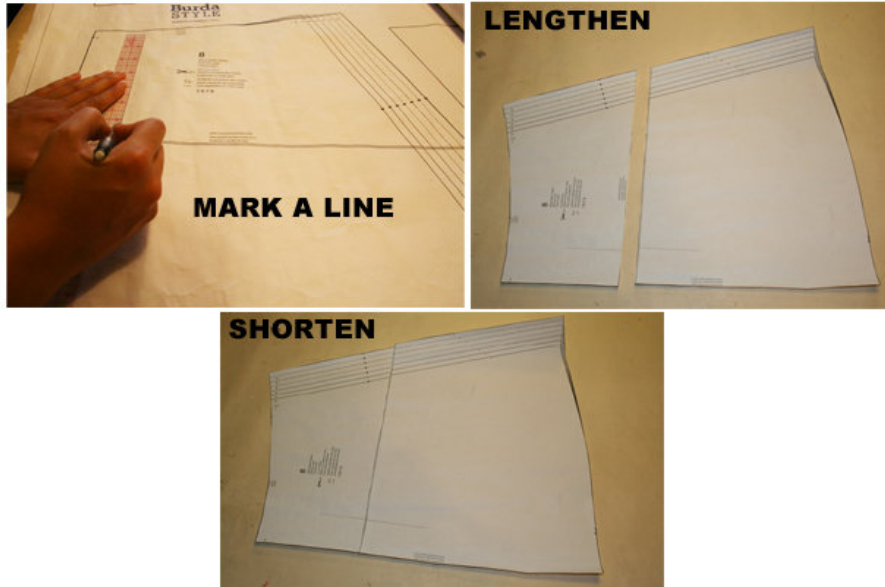
Fabric: Sweatshirt, knit fabric or rib knit fabric

## Step 2



Paper cut for ANSI A (German DIN A4) prints: The patterns are printed out on 28 sheets with a thin frame. Wait until all sheets are printed out. Arrange the sheets so that they fit together (see additional page with the overview of the prints). Fold the single sheets on the upper and right edge along the thin frame lines. Begin with the left lower sheet and then tape the frame lines together precisely.

### Step 3



#### ADJUST PATTERN SIZES

Select your size according to the Burda-dimension table: dresses, blouses, jackets and coats according to the bust size, trousers and skirts according to the hip width. Change the pattern to fit your measurements if they deviate from the Burda-size chart. Cut out the pattern according to your size. The sleeves are fashionably extra long.

**LENGTHENING OR SHORTENING THE PATTERN PIECES** Our pattern is calculated for a height of 5â€™ 6â€™ (168 cm). If you are taller or shorter, you can adjust the pattern pieces along the lines marked “lengthen or shorten here”. This way the proper fit is maintained. Always adjust all pattern pieces along the same line to the same degree.

How to lengthen and shorten pattern pieces:

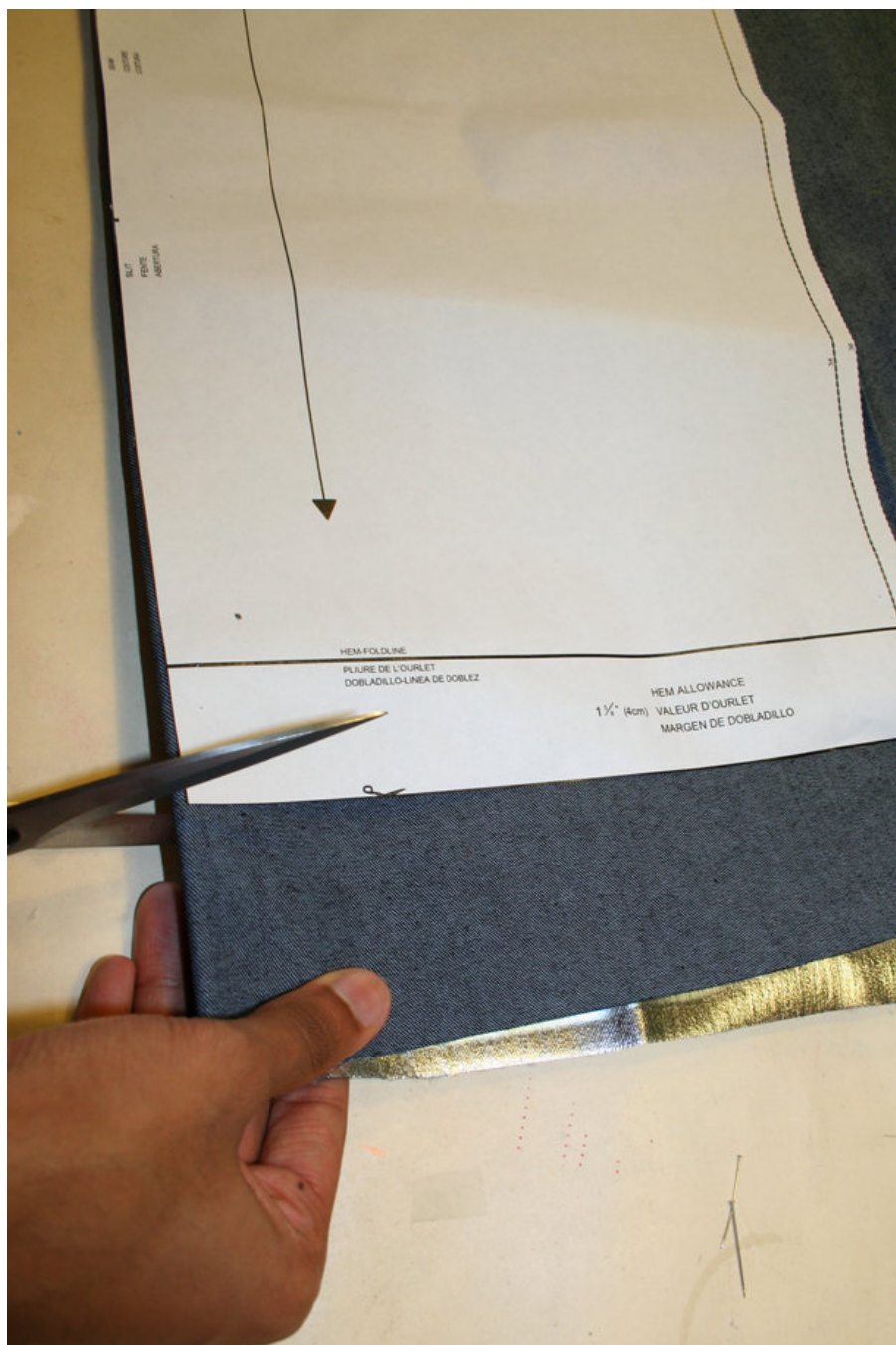
Cut the pattern pieces along the marked lines

To lengthen, slide the two halves of the pattern piece as far apart as necessary.

To shorten, overlap the two halves of the pattern piece as far as necessary. Blend the side edges.

---

### Step 3

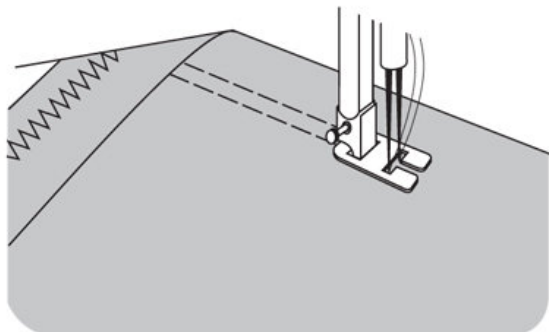


**CUTTING OUT FOLD** (â' â' â' â' ) means: Cut on the fold, the fold being the center of the pattern piece, but never a cut edge or seam. The piece should be cut double, with the fold line forming the center line. Pattern pieces are outlined with a broken line in the cutting diagrams and are placed face down on the fabric. The cutting diagrams on the pattern sheet show how the pattern pieces should be placed on the fabric.

The cutting diagrams show the placement of the pattern on the fabric. For a single layer of fabric, the pattern pieces are pinned to the right side. For double layers of fabric, the right sides are facing and the pattern pieces are pinned to the wrong side. The pattern pieces that are shown extending over the fold of the fabric in the cutting diagram should be cut last from a single layer of fabric. Cut pieces 6,7, and 8 from knit fabric (tubular fabric).

---

## Step 4



**SEAM AND HEMLINE ALLOWANCES** are included on an average: 1 1/2â' (4 cm) for the hemline, 5/8â' (1.5 cm) for all edges and stitches. Using BURDA copying paper, transfer the lines and signs of the pattern onto the wrong fabric side. Instructions can be found in the packaging.

### SEWING

While sewing, the right sides of the fabric are facing. Transfer all lines of the pattern onto the right side of the fabric using basting stitches.

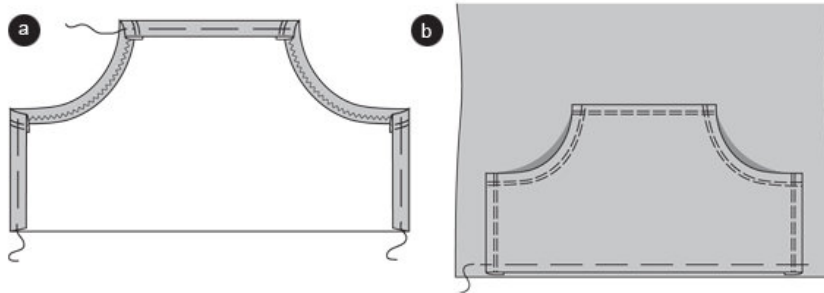
### ADVICE FOR WORKING WITH STRETCHY FABRICS:

You can achieve the best results from working with stretchy fabrics when using an Overlock machine. The seams will be especially elastic so that they wonâ' t rip when wearing the garment. If you donâ' t have an Overlock machine, stitch the seams using a special elastic stitch or a narrowly adjusted zigzag stitch. Be aware that the thread tension shouldnâ' t be too tight. For delicate knit fabrics use a Jersey needle that has a rounded needle point and wonâ' t damage the fabric.

To stitch the edges (e.g. along the pocket) use a **DOUBLE NEEDLE**. Stitch onto the right side of the fabric with two needle threads and one bobbin thread, while using a straight stitch adjustment. The bobbin thread stitches zigzag stitches at the same time. That results into an elastic seam line and a fabric that wonâ' t stretch out when stitching.

---

## Step 5



### SHIRT POCKET

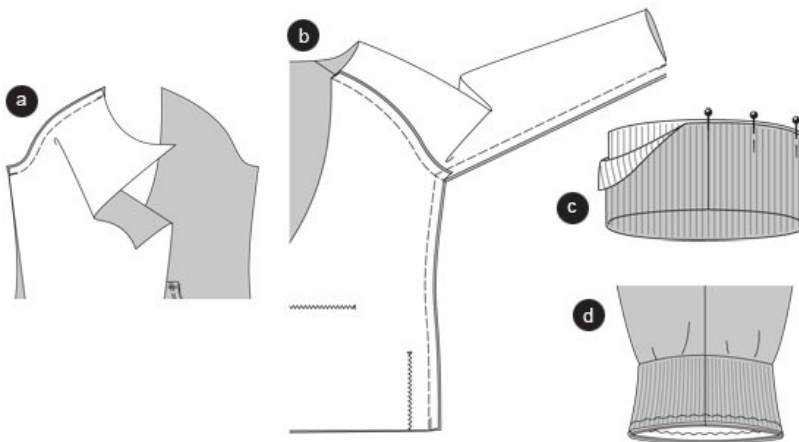
Neaten the edges

Turn the allowances inside and pin, press. Stitch the edges  $\hat{A}^{1/2}$  (1.2 cm) wide. Turn the allowances of the top and bottom edges, pin and press (a).

Pin the pocket, meeting the marked lines, on the front piece. Stitch along the top edge and the side edges using a double needle (b).

---

## Step 6



### APPLY SLEEVES

Pin the front sleeve edge on the armhole part of the front piece, right sides facing. The cross lines 2 meet, then stitch. Stitch the back sleeve edge on the back part of the armhole (seam 1). Trim allowances, neaten altogether and press inside the sleeve (a).

### BOTTOM SLEEVE AND SIDE SEAM

Position the front piece on the back piece, right sides facing. Fold the sleeve lengthwise. Pin the bottom sleeve and side seams. Stitch. Trim allowances, neaten altogether and press to the side (b).

## SLEEVE CUFF

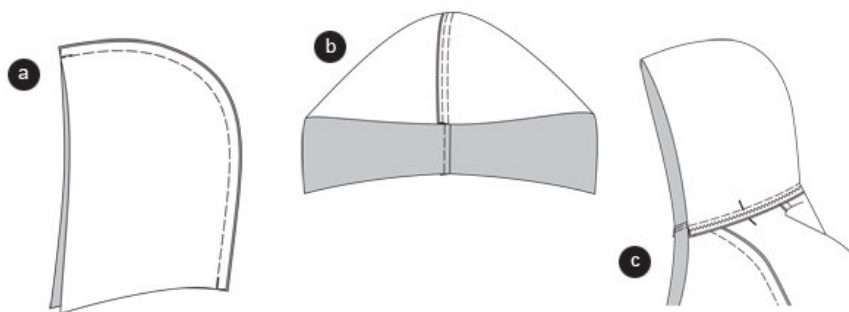
Fold the cuff into a ring. Sew the short edges together.

Fold the cuff in half, pin the open edges together, wrong sides facing.

Pin the cuffs stretched out on the bottom sleeve edge. The seams meet. Stitch the cuff using a flatly adjusted zigzag stitch (seam 6). Trim allowances and neaten altogether ©.

---

## Step 7



## WAISTBAND

Position the waist band pieces together, right sides facing. Stitch **SIDE SEAMS**. Open allowances. Fold the waistband in half, pin the edges together. Pin the waist band, stretched out, on the bottom edge of the shirt; the seams meet. Stitch the waist band using a flatly adjusted zigzag stitch. Trim allowances and neaten altogether.

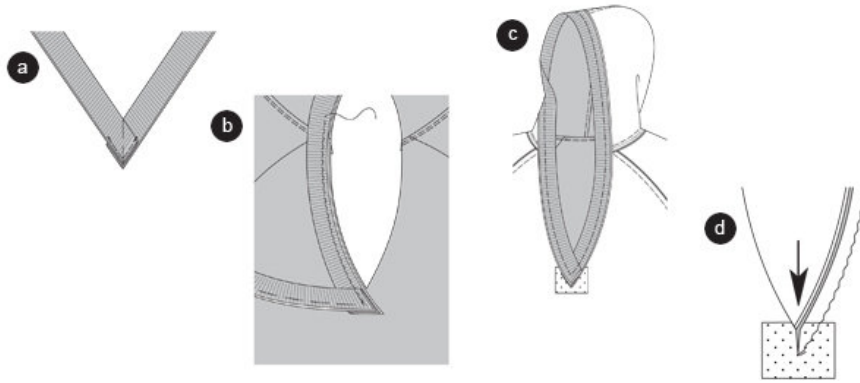
## HOOD

Position the hood pieces together, right sides facing. Stitch the center seam (a). Trim allowances and press to the side. Stitch the seam  $\hat{A}^{1/4}$  (0.7 cm) wide, catching the allowances (b).

Pin the hood on the neckline (seam 4), right sides facing. The hood cross lines meet the cross lines on the sleeve. Stitch the hood. Trim allowances and press inside the shirt. Stitch the seam using a double needle, catching the allowances ©.

---

## Step 8



## PLACKET

Position the plackets together, right sides facing. Stitch the center seam. Fold the allowances apart. Fold the plackets in half, pin open edges together.

Position the right and the left end of the placket together, the centers meet. Stitch the edges together. Press a supporting little piece of interfacing onto the front corner of the neckline (a).

Pin the placket, slightly stretched, onto the neckline, the centers meet. Pin the placket (seam 5) and stitch using a flatly adjusted zigzag stitch. Stitch; beginning and ending at the front center (b). Snip in the center of the front piece, close to the stitch line (b). Trim allowances, neaten altogether and press inside the shirt ©.

---

**BurdaStyle**

Amy S.