

# Shirt Dress 05/2012

By: burda style magazine

<http://www.burdastyle.com/projects/shirt-dress-052012>

---



Shirt dress sewing pattern. This shirt dress is perfect for summer days by the pool or on the beach. We made our version in a crushed poplin fabric.

## Materials

Crushed poplin (with metal fibres), width: 150 cm (59 ins) length: 2.40 m (2 5/8 yds) for all sizes. Bias Tape/stay tape. 1 button. 6 sew-on snap fasteners.

---

## Step 1 — Preparations



This pattern is printed on 8.5 × 11 sheets of plain paper. Do not scale or center pages before printing. Wait until all sheets are printed out before beginning to tape them together. **Do not cut out pattern pieces yet**— Arrange the sheets on a large, hard, flat surface so that they fit together, matching up like numbers and letters (i.e. 6A to 6A). To tape pattern together, fold under the margin of one piece (6A) and tape right against the line of it's matching number/letter (6A).

Trace the pattern pieces from the pattern sheet following the lines and markings for the correct size and the correct style (127C). (This pattern also includes pattern pieces, lines and markings for style 127A+B (Blouse versions of this pattern.)

Lengthen pieces 1 and 2 as indicated.

Trace the front facing from piece 1 as a separate pattern piece.

The buttonhole on piece 1 is marked for size 36. For sizes 38 – 44, mark the buttonhole the same distance from neck edge as for size 36.

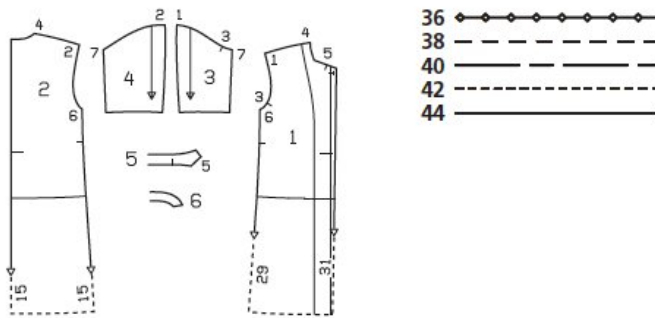
**burda style magazine pattern do not have seam allowance included.**

Seam and hem allowances to be added: Seams and edges 1.5 cm (5/8 in), hem and sleeve hems 4 cm (1 5/8 ins).

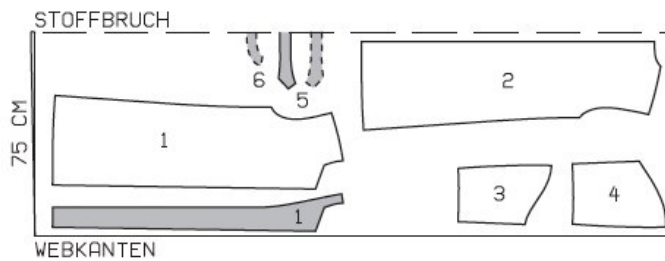
---

## Step 2 — Cutting out

Pattern pices 1 to 6



Cut the pieces as in this diagram with a fabric of a width of 150 cm.

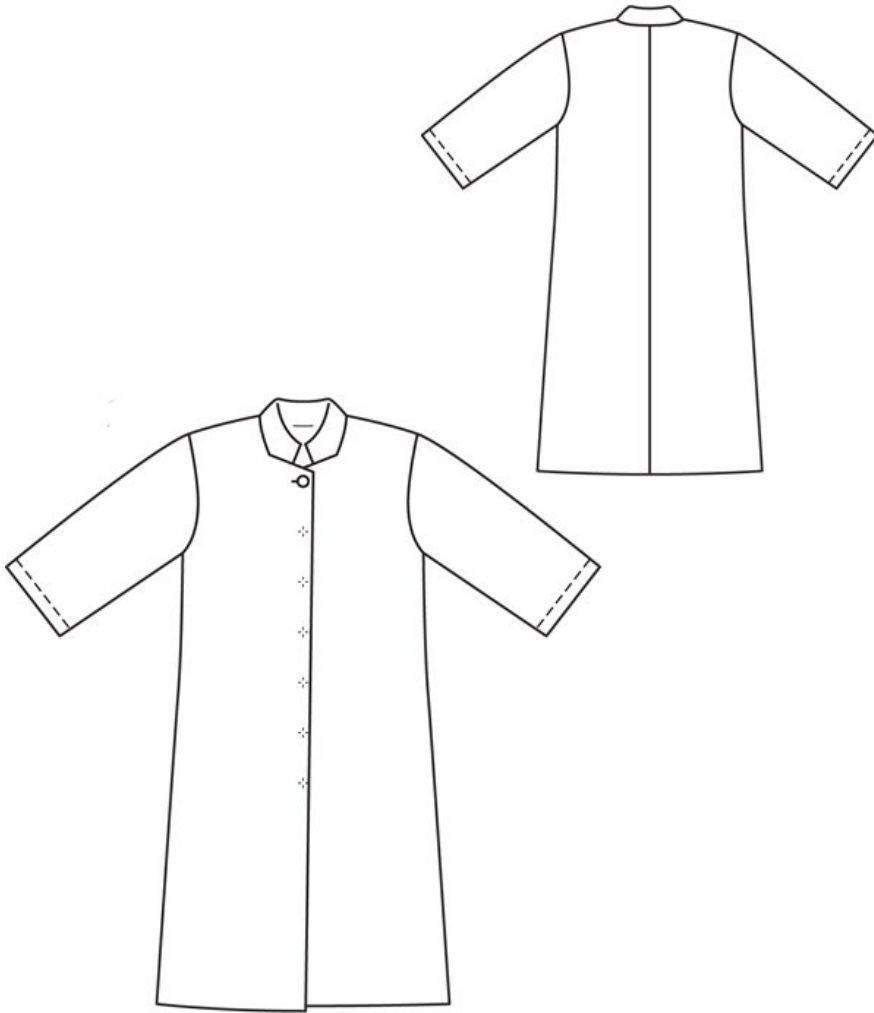


Stoffbruch = Fabric fold    Webkanten = Selvage

- 1 front 2x
- front facing 2x
- 2 back 2x
- 3 sleeve front 2x
- 4 sleeve back 2x
- 5 collar, on a fold 2x
- 6 back facing,  
on a fold 1x

Interfacing: Iron Vilene Bias Tape/stay tape to wrong side of neck and armhole edges and wrong side of front shoulder seam edges.

### Step 3 — Sewing



Stitch centre back seam right sides together and press seam allowances open.

Stitch sleeve fronts to dress fronts and sleeve backs to dress back. Press seam allowances away from sleeves. Stitch shoulder seam and top sleeve seam as one continuous seam from sleeve hem to neckline.

Stitch facing seams together at shoulder and press seam allowances open.

Pin facing right sides together with jacket. Stitch along centre front and neck edges, to marking. Trim seam allowances, trimming corners diagonally. Leave facing lying right sides together with jacket for now.

Stitch collar pieces right sides together along outer edges, beginning and ending stitching exactly on seam line of joining edge. Turn collar right side out and press. Lay collar between jacket and facing. Stitch outer collar piece to neck edge of jacket, from marking to corner. Clip seam allowances of fronts into corners. Stitch long edge of outer collar piece to neck edge of jacket. Stitch inside collar piece to facing, clipping seam allowance of facing into corners. Press collar joining seams open. Turn facing to inside and press edges. Pin collar joining seams together exactly, from corner to corner. Turn facing up and stitch seam allowances together, close to seam. Turn facing down again.

Stitch dress side seams and sleeve seams as a continuous seams from sleeve hem to dress hem. Turn sleeve hem allowances to inside, turn edges under, and stitch 2 cm (3/4 in) from lower edges of sleeves.

Unfold facings at hem edge. Press hem allowance to inside and sew in place by hand. Turn facings to inside again and sew to hem allowance and to seams.

Press sleeve hem allowances to inside and sew in place by hand.

Stitch buttonhole in right front.

Below buttonhole, mark positions of 6 snap fasteners spaced Size 36 – 38: 9 cm (3 in), Size 40 – 44: 9.5 cm (3 3/4 ins) apart. Cover snap fastener halves with lining fabric. Sew top halves of snaps to inside of right front, taking even stitches and exiting needle on right fabric side. Sew bottom halves of snaps to left front edge.

---

**BurdaStyle**

Shirt Dress 05/2012