

Pencil Skirt (Plus Size) 04/2012

By: burda style magazine

<http://www.burdastyle.com/projects/pencil-skirt-plus-size-042012>



Plus size pencil skirt sewing pattern.

Materials

Cotton satin with widthwise stretch, width: 140 cm (55 ins) length: 1.60 m (1 3/4 yds) for all sizes.
Vilene/Pellon G 785. 1 invisible zip, 22 cm (9 ins) long, and a special presser foot.

Step 1 — Preparations



Paper cut for ANSI A (German DIN A4) prints:

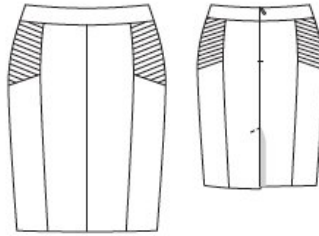
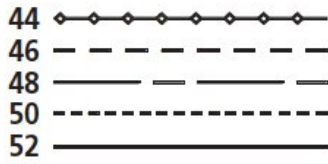
This pattern is printed on 8.5 × 11 sheets of plain paper. Do not scale or center pages before printing. Wait until all sheets are printed out before beginning to tape them together. **Do not cut out pattern pieces yet**— Arrange the sheets on a large, hard, flat surface so that they fit together, matching up like numbers and letters (i.e. 6A to 6A). To tape pattern together, fold under the margin of one piece (6A) and tape right against the line of it's matching number/letter (6A).

Trace the pattern pieces from the pattern sheet following the lines and markings for the correct size. Note different lines for right and left edges of back vent, but first cut the skirt panels the same size initially from the double layer of fabric.

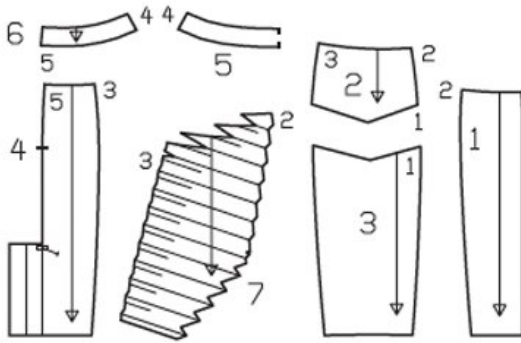
burda style magazine pattern do not have seam allowance included.

Seam and hem allowances to be added: Seams and edges 1.5 cm (5/8 in), hem 4 cm (1 5/8 ins).

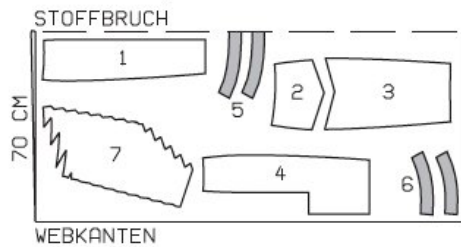
Step 2 — Cutting out



cut pieces 1 to 7



Fabric width, 140 cm

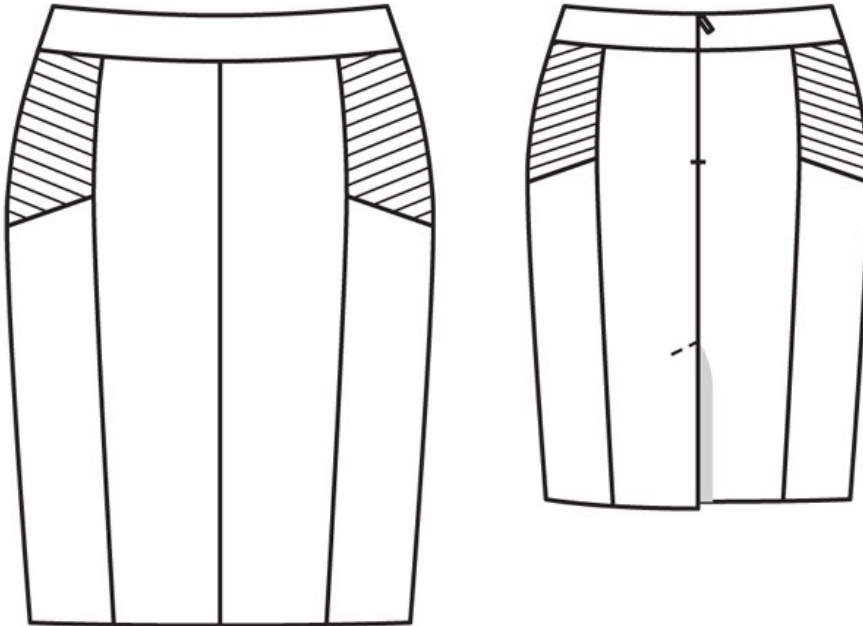


stoffbruch = fabric fold
webkanten = selvage

- 1 front skirt panel 2x
- 2 side skirt panel upper piece 2x
- 3 side skirt panel lower piece 2x
- 4 back skirt panel 2x
- 5 front waistband, on a fold 2x
- 6 back waistband 4x
- 7 pleat piece 2x

Interfacing: Cut and iron interfacing to the waistband pieces.

Step 3 — Sewing



Stitch centre front seam. Press seam allowances open.

On pleat pieces, hand baste along fold lines to make these lines visible on right side of fabric. Fold each pleat piece on marked fold lines, wrong side facing in and press. Topstitch each pleat at the marked width. Topstitch bottom pleat along lower seam line. Press pleats up. Baste each pleat piece to upper side skirt panel, with wrong side facing right side. Treat these pieces as one layer of fabric from now on.

Stitch upper side skirt panels (with pleat piece) to lower side skirt panels (seam number 1), clipping seam allowance of lower pieces into corners. Press seam allowances onto lower pieces.

Stitch side skirt panels to front skirt panel and to back skirt panels (seam numbers 2 and 3). Press seam allowances toward centre front and back.

Stitch side seams on inner and outer waistband units. Stitch outer waistband to upper skirt edge. Press seam allowances onto waistband.

Sew the invisible zip to edges of outer waistband and back slit. Stitch the centre back seam from the vent to the zip. Press the centre seam allowances open and press the vent facing of the left skirt panel to the inside. Lay slit underlap of right skirt panel toward left skirt panel and, to avoid needing to clip allowance, above the vent, press allowance of right skirt panel to the wrong side, tapering as you go. On left vent edge, trim facing to 5 cm (2 ins) wide.

Face upper waistband edge: Lay the inside waistband unit right sides together with the attached waist band unit and pin the upper edges together. At the zip slit, turn the end of the inside waistband piece back, 5 mm (3/16 in) before the edge of the slit, and pin to upper edge. On the outer waistband, turn the allowances on slit edges to outside and pin to upper edge, over inside waistband. Stitch along upper edge. Turn allowances on opening edges to inside. Turn the inside waistband piece up and stitch to the seam allowances, as far as possible, close to the seam. Turn the inside waistband to inside. Baste over joining seam without turning edge under and sew to the zip tapes. Work from the right side of the skirt to stitch along line of joining seam, catching inside waistband edge.

Open vent facing of left back skirt panel again. Press hem allowance to inside and sew in place by hand. Press self-facings on vent edges to inside and sew in place over hem. At top of vent, topstitch left skirt back at top as marked, catching underlap.

BurdaStyle

Pencil Skirt (Plus Size) 04/2012