

Leather Shorts 05/2012

By: burda style magazine

<http://www.burdastyle.com/projects/leather-shorts-052012>



Lamb nappa leather shorts sewing pattern. These shorts are just so cool. If you can't find gorgeous leather like this, any other trouser fabric works great too.

Materials

To make this style in size 36, you will need 2 skins with a total of approx. 15 sq. ft. (1 sq. ft. = 30 × 30 cm). Ask your leather dealer about the requirements for larger sizes since leather skins can vary greatly. We

recommend you take the entire paper pattern piece with you when buying the leather. A piece of lining fabric, 30 × 70 cm (12 × 28 ins) for pocket pieces. Vilene Bias Tape/stay tape. Invisible zipper, 22 cm (9 ins) long, and a special presser foot. Textile adhesive (e. g. Rudolfix, G termann Klebenaht HT 2).

Step 1 — Preparations



This pattern is printed on 8.5 × 11 sheets of plain paper. Do not scale or center pages before printing. Wait until all sheets are printed out before beginning to tape them together. **Do not cut out pattern pieces yet**— Arrange the sheets on a large, hard, flat surface so that they fit together, matching up like numbers and letters (i.e. 6A to 6A). To tape pattern together, fold under the margin of one piece (6A) and tape right against the line of it's matching number/letter (6A).

Trace the pattern pieces from the pattern sheet following the lines and markings for the correct size and the correct style (121B). (This pattern also includes pattern pieces, lines and markings for style 122, a long pants version of this pattern.)

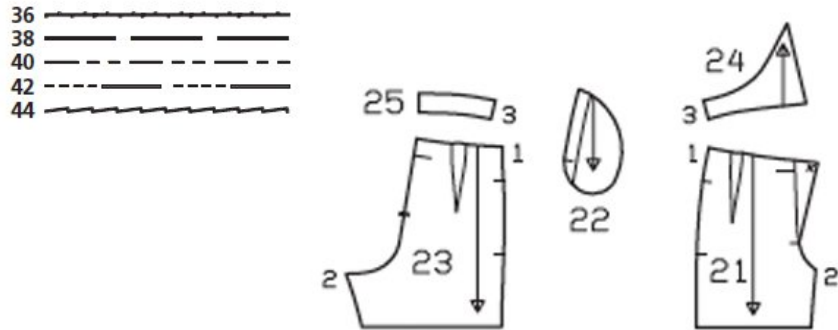
Trace the facing from piece 22 as a separate pattern piece. The crossed stitching lines on piece 21 are marked for size 36. For sizes 38 – 44, remark the stitching lines according to the size lines.

burda style magazine pattern do not have seam allowance included.

Seam and hem allowances to be added: Seams and edges add 1.5 cm (5/8 in), hem allowance add 4 cm (1 5/8 ins)

Step 2 — Cutting out

Pattern pieces 21 to 25



Leather:

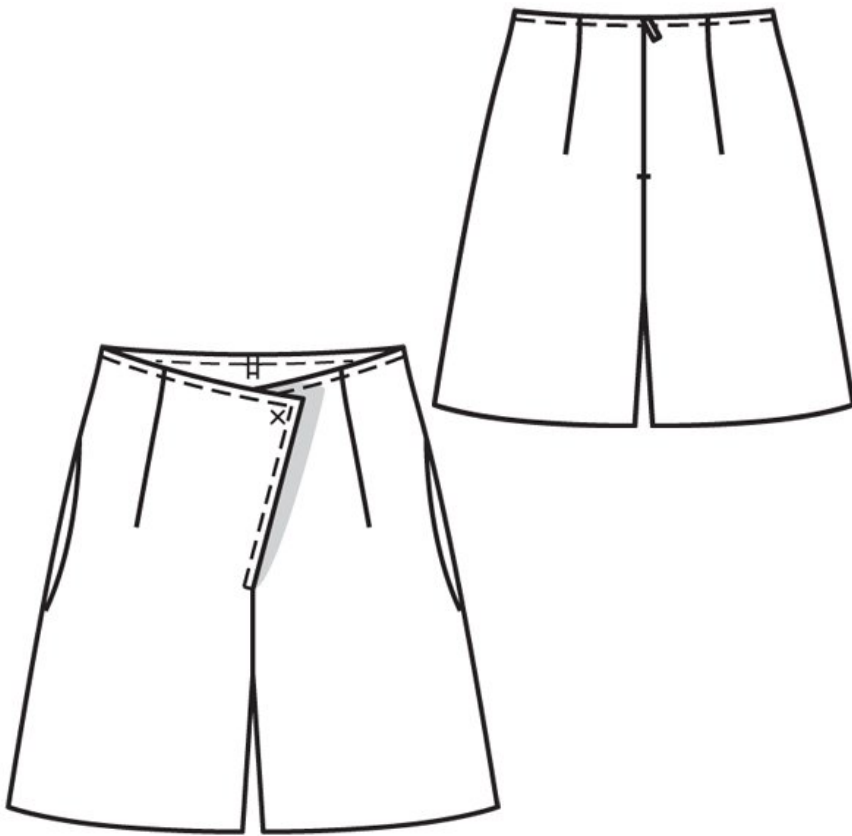
- 21 shorts front 2x
- 22 facing
- (pocket piece) 2x
- 23 shorts back 2x
- 24 front facing 2x
- 25 back facing 2x

Lining:

- 22 pocket piece 4x

Vilene Bias Tape/stay tape: Iron to wrong side of upper and front edges.

Step 3 — Sewing



Notes on leather: We recommend you first make a muslin from inexpensive cotton. Then transfer any required alterations to the pattern before cutting out the leather. Avoid basting and unpicking seams since the holes left by the needle may be permanent. Press leather from the wrong side under a dry pressing cloth with moderate heat and with out steam. Test-iron a scrap of your leather first.

Stitch front darts together, and press towards centre front. Stitch back darts together, and press towards centre back.

Stitch side seams right sides together, make sure not to stitch across pocket openings. On two pocket pieces, lay facings on joining edges, with wrong side facing right side, and stitch in place.

Side seam pockets: Pin pocket pieces right sides together with seam allowances of pocket opening edges. Pin the pocket pieces with facing to shorts back, and the remaining pocket pieces to shorts front pieces. Stitch back pocket pieces in place along seam line and stitch front pocket pieces in place, 7 mm (1/4 in) from seam line. Press pocket pieces forward, trim even, and stitch together.

Stitch inside leg seams together. Spread seam allowances open and glue down.

Sew invisible zipper to back slit edges.

Waist facing and centre front closure: Stitch side seams of facings. Lay facings right sides together with shorts and pin to upper and front edges. At zipper slit, turn facing ends back, approx. 5 mm (3/16 in) before edge of slit, and pin to upper edge.

At edges of back slit, turn allowances to outside and pin to upper edge, over facing. Stitch along upper edge and each slanted front edge, to marking. Trim seam allowances, clip corners diagonally. Turn lower edge of front facings back at seam ends and pin. Pull one leg into the other, with right sides facing. Stitch centre front seam below seam mark and stitch centre back seam to zip. Remove pins. Turn back slit allowances and facings to inside. Sew facings to zipper tapes and to seams.

Topstitch 5 mm (3/16 in) from front and upper edges of shorts.

Lay right shorts front on left shorts front, matching centres. Stitch upper right corner to left shorts front, with a stitched cross, as marked. On inside, stitch left front edge to facing of right shorts front.

Turn hem allowances to inside and glue in place (textile adhesive).

BurdaStyle

Leather Shorts 05/2012