

# Cardigan 02/2012

By: burda style magazine

<http://www.burdastyle.com/projects/cardigan-022012>

---



Striped cotton twill cardigan with pockets. burda style magazine patterns FAQ

## Materials

Cotton twill, Fabric width: 150 cm (59 ins) length: 0.90 m (1 yd) of black and 0.70 m (7/8 yd) of blue.  
Lining, 140 cm (55 ins) wide: 1.30 m (1 1/2 yds). Vilene/Pellon G 785.

---

## Step 1 — Preparations



Paper cut for ANSI A (German DIN A4) prints:

This pattern is printed on 8.5 × 11 sheets of plain paper. Do not scale or center pages before printing. Wait until all sheets are printed out before beginning to tape them together. **Do not cut out pattern pieces yet**— Arrange the sheets on a large, hard, flat surface so that they fit together, matching up like numbers and letters (i.e. 6A to 6A). To tape pattern together, fold under the margin of one piece (6A) and tape right against the line of it's matching number/letter (6A).

Trace the pattern pieces from the pattern sheet following the lines and markings for the correct size.

Cut pieces 21, 23, and 26 apart along the marked seam lines on the pattern pieces.

Lining: Tape the cut-apart pattern pieces together again. Lay pieces 21 and 22 and also pieces 24, 25 and 26 together. This will create side darts.

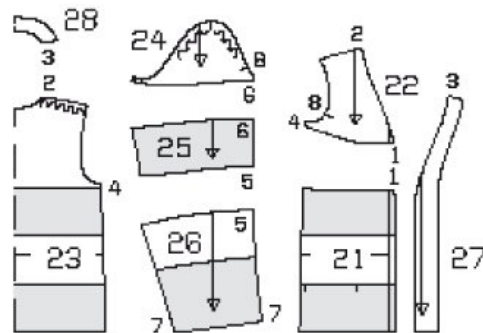
**burda style magazine pattern do not have seam allowance included.**

Seam and hem allowances to be added: Seams and edges 1.5 cm (5/8 in), hem and sleeve hems 4 cm (15/8 ins), lining 1.5 cm (5/8 in).

---

## Step 2 — Cutting out

Red pattern line, sheet B  
 Pattern pieces 21 to 28  
 Size 36 AAAAA  
 Size 38 =====  
 Size 40 CCC  
 Size 42 67 67  
 Size 44 EEEEE



122

Twill: 150 cm wide



Lining: 140 cm wide



The pocket pieces and the pieces which are shaded in grey in the pattern overview should be cut from blue fabric. Cut the remaining pieces from black fabric.

- 21 lower front piece, cut apart, cut each piece 2x
- 22 upper front piece, cut 2x
- 23 back piece, cut apart cut each on a fold 1x
- 24 upper sleeve piece, cut 2x
- 25 middle sleeve piece, cut 2x
- 26 lower sleeve piece, cut apart and cut each piece 2x
- 27 front facing, cut 2x
- 28 back facing, cut on a fold 1x

Also draft and cut the following pieces (not included on the pattern sheet)

- a) 2 pocket pieces, cut rectangular pieces in the following dimensions: 17 cm (6 3/4 ins) x 13 cm (5 1/4 ins) (incl. allowances).

Lining:

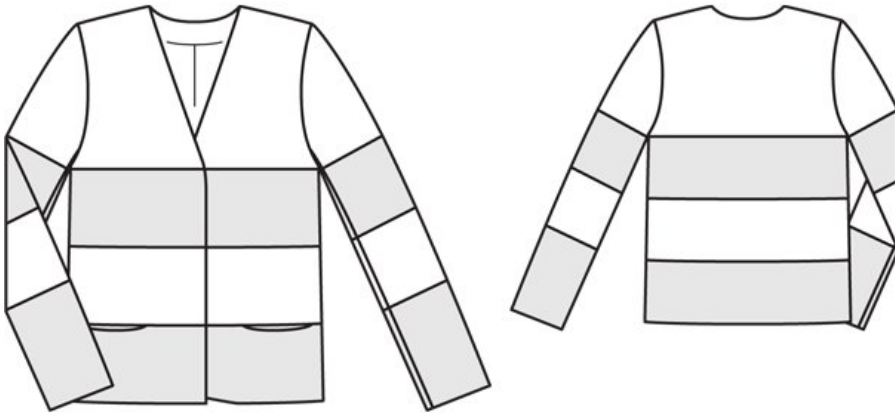
- pieces 21 and 22 (not cut apart) minus width of facing.
- piece 23 (not cut apart), minus width of facing and with an ease pleat of approx. 2 cm (3/4 in) at centre back;
- pieces 24 to 26 (not cut apart);

pocket piece (piece a).

Interfacing: Cut and iron interfacing on the wrong side of facing pieces. Also interface the hem allowances.

---

### Step 3 — Sewing



Stitch horizontal section seams on back and on sleeves by laying the pieces rich sides together, lining up the seams, pinning and sewing. Stitch front horizontal section seams but leave the openings for the pockets in lower seams open. Press the seam allowances open.

Inseam pockets:

On inside of each front piece, line up the pocket lining piece to the lower pocket opening edge, 7 mm (1/4 in) from marked seam line, right sides facing. Pin and sew. Fold the pocket pieces over and stitch them to the seam allowance, close to the joining seams. Stitch the pocket pieces of the main fabric to the upper pocket opening edges, directly along marked seam line. Trim pocket pieces even and stitch them together along the edges to make a pocket bag.

Stitch side seams, shoulder seams, and facing seams. Press seam allowances open.

Pin facing right sides together with jacket. Stitch along front and neck edges. Trim seam allowances. Turn facing to inside and press edges.

Unfold facings at hem. Press hem allowance to inside but do not yet sew in place.

Stitch sleeve section seams. Fold and press the sleeve hem allowances to the inside and sew in place by hand.

Set in sleeves. Turn the garment inside out and set in sleeves in each armhole, right sides facing each other, easing the sleeve caps. Pin the sleeve to the armhole and stitch around the armhole opening. Press the seam allowance out in to the sleeve. Sew shoulder pads in place.

Stitch ease pleats on the back lining piece, at top and bottom each approx. 5 cm (2 ins) long, and tack pleat in

between. Press pleats to one side. Stitch the darts and seams of lining. Set in sleeve linings.

Sew lining in jacket and sew the hems of the jacket, see style 139.

Stitch the lining to inside facing edges, turning the hem allowance of facings down. Lay the lining inside the jacket with wrong sides together, pulling linings into sleeves. Turn the hem allowance to the inside and sew in place by hand. Fold in the lining along hem edge and press fold edge lightly. Push upward in a slight curve and pin to the hem allowance. Sew the facings and lining in place. Fold the extra length of lining down and press lightly. Above each sleeve hem, pin a fold, approx. 1 cm (3/8 in) deep, in lining. Turn in the sleeve linings and sew to the hem allowances. Fold extra length down and press.

---

**BurdaStyle**

Cardigan 02/2012