

Shirt-Dress 04/2012

By: burda style magazine

<http://www.burdastyle.com/projects/shirt-dress-042012>



This girl's dress is casual yet cute, and perfect for running around with mommy or playing with friends. It has just the right amount of detail from the front gathers and pocket flaps to the centre back pleat. You could shorten the hemline and make it into an adorable top ! Or add sleeves for a dress suitable for chilly weather.

Materials

Height 110, 116, 122, 128, 134 cm Back length of dress 63 66 70 74 77 cm (24 1/2 26 27 3/4 29 1/4 30 1/2 ins) NOTE: This pattern does not include seam allowance. See the sewing instructions for more information.

Step 1 — Preparations



This pattern is printed on 8.5 × 11 sheets of plain paper. Do not scale or center pages before printing. Wait until all sheets are printed out before beginning to tape them together. **Do not cut out pattern pieces yet**— Arrange the sheets on a large, hard, flat surface so that they fit together, matching up like numbers and letters (i.e. 6A to 6A). To tape pattern together, fold under the margin of one piece (6A) and tape right against the line of it's matching number/letter (6A).

Trace the pattern pieces from the pattern sheet following the lines and markings for the correct size and the correct style (146). (This pattern also includes pattern pieces, lines and markings for style 145 that should be ignored.)

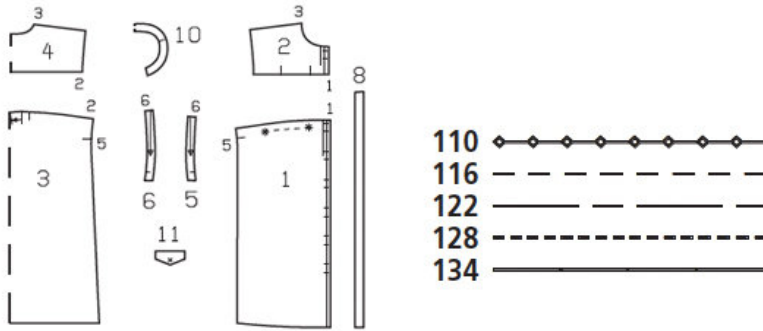
The buttonhole on piece 2 is marked for size 110. For sizes 116 – 134, mark the buttonhole the same distance from neck edge as for size 110. The buttonholes on piece 1 are marked for size 110. For the other sizes, move the top buttonhole up according to the size lines. Space the other 5 buttonholes 7.3 8 8.3 9 cm (3 3/4 3 3/8 3 1/2 ins) apart. The pleat arrow on piece 3 is marked for size 110. For the other sizes, remark the pleat arrow according to the size lines.

burda style magazine pattern do not have seam allowance included.

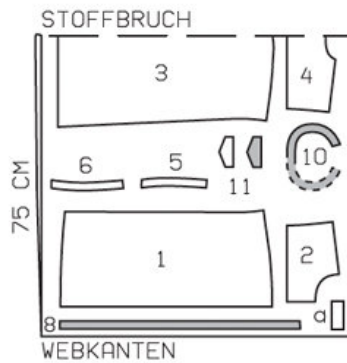
Seam and hem allowances to be added: Seams and edges 1.5 cm (5/8 in), hem 4 cm (15/8 ins).

Step 2 — Cutting Out

Pattern pieces 1 to 10



Cut the pieces as in this diagram with a fabric width of 150 cm



Stoffbruch = Fabric Fold
Webkanten = Selvage

- 1 front 2x
- 2 front yoke 2x
- 3 back, on a fold 1x
- 4 back yoke, on a fold 1x
- 5 front armhole facing 2x
- 6 back armhole facing 2x
- 8 front facing 2x

- 10 neck facing, on a fold 1x
- 11 flap 4x

Also draft and cut the following pieces, not included in the pattern sheet

- a) back loop, 7 cm (23/4 ins) long, 2 cm (3/4 in) wide (incl. allowances).

Step 3 — Sewing



Lay inverted pleat at centre back in direction of arrow and baste to upper edge.

Fold back loop in half length wise and press, wrong side facing in. Unfold loop again. Now fold each long edge to the pressed fold and press again. Stitch fold edges together. Baste ends of loop to upper back edge, between seam marks.

Gather fronts between asterisks as marked on pattern to a length of 7.5 cm (3 ins).

Stitch each interfaced flap piece to flap piece with no interfacing, along outer edges, right sides together. Turn right side out. Topstitch 7 mm (1/4 in) from seamed edges. Baste flaps to lower front edges of front yokes, between the markings.

Stitch front yokes to fronts and back yoke to back. Press seam allowances onto yokes. Topstitch yokes 7 mm (1/4 in) from joining seams.

Stitch shoulder seams. Press seam allowances onto back. Topstitch seams.

Stitch shoulder seams of armhole facings. Press seam allowances open. Pin armhole facings right sides together with armhole edges and stitch between markings (seam number 5). Turn extending facing ends back and pin. Stitch side seams. Remove pins and stitch facing seams. Turn facings to inside. Turn inside facing edges under and baste. Topstitch close to armhole edges and again 2 cm (3/4 in) from edges, stitching horizontally across lower end of each armhole.

Press hem allowance to inside and sew in place by hand.

Press allowances on inside edges of front facings to inside. Trim allowance on inside edge of neck facing to 7 mm (1/4 in) and press to inside. Pin the front facings right sides together with the fronts. Pin the neck facing right sides together with the neck edge the front facing ends lie on the front facings. Stitch along the front and neck edges. Trim seam allowances, trimming corners diagonally. Turn facings to inside and press edges.

Topstitch close to front and neck edges. Topstitch 2 cm (3/4 in) from front edges. Topstitch 2 cm (3/4 in) from neck edge, beginning and ending on front stitching lines.

Work buttonholes in right front. Sew flaps to fronts, with one button each.

BurdaStyle

Shirt-Dress 04/2012