

Girl's Jacket 03/2012

By: burda style magazine

<http://www.burdastyle.com/projects/girls-jacket-032012>

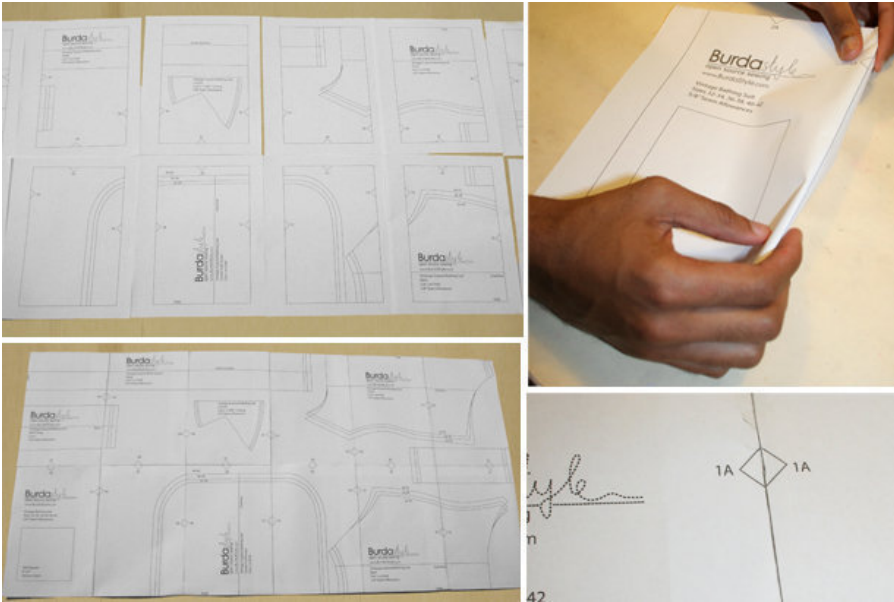


Downloadable sewing pattern for girl's jacket. This jacket is made from raw silk and features decorative velvet ribbon button details. burda style magazine patterns FAQ

Materials

Raw silk, width: 135 cm (53 ins) length: 0.75 0.80 0.80 0.85 0.90 m (7/8 7/8 7/8 1 1 yd). Lining, width: 140 cm (55 ins) length: 0.50 0.50 0.50 0.60 0.60 m (5/8 5/8 5/8 3/4 3/4 yd). Vilene/ Pellon G 785. Velvet ribbon, 7 mm (1/4 in) wide: 1.10 m (11/4 yds). 2 metal zips (sleeves), 16 cm (7 ins) long. 8 buttons.

Step 1 — Preparations



Paper cut for ANSI A (German DIN A4) prints:

This pattern is printed on 8.5 × 11 sheets of plain paper. Do not scale or center pages before printing. Wait until all sheets are printed out before beginning to tape them together. **Do not cut out pattern pieces yet**— Arrange the sheets on a large, hard, flat surface so that they fit together, matching up like numbers and letters (i.e. 6A to 6A). To tape pattern together, fold under the margin of one piece (6A) and tape right against the line of it's matching number/letter (6A).

Trace the pattern pieces from the pattern sheet following the lines and markings for the correct size.

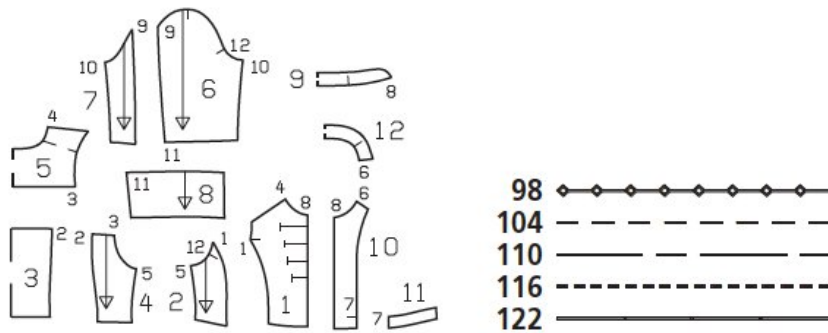
The markings for the decorative fasteners on piece 1 are for size 98. For the other sizes, mark the top fastener 2.5, 2.5, 3, 3 cm (1, 1, 1 1/4, 1 1/4 ins) from neck edge. The bottom fastener is in the same place for all sizes. Space remaining fasteners evenly in between.

burda style magazine pattern do not have seam allowance included.

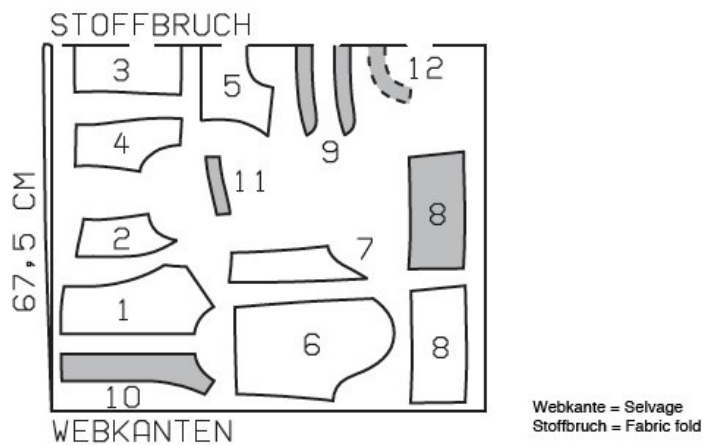
Seam and hem allowances to be added: Seams and edges 1.5 cm (5/8 in), hem on back pieces 4 cm (15/8 ins). Cut out the lining pieces with 1.5 cm (5/8 in) wide seam and hem allowances.

Step 2 — Cutting out

Pattern Pieces 1 to 12



Main fabric. width 135 cm. Cut on a double layer of fabric



Raw silk:

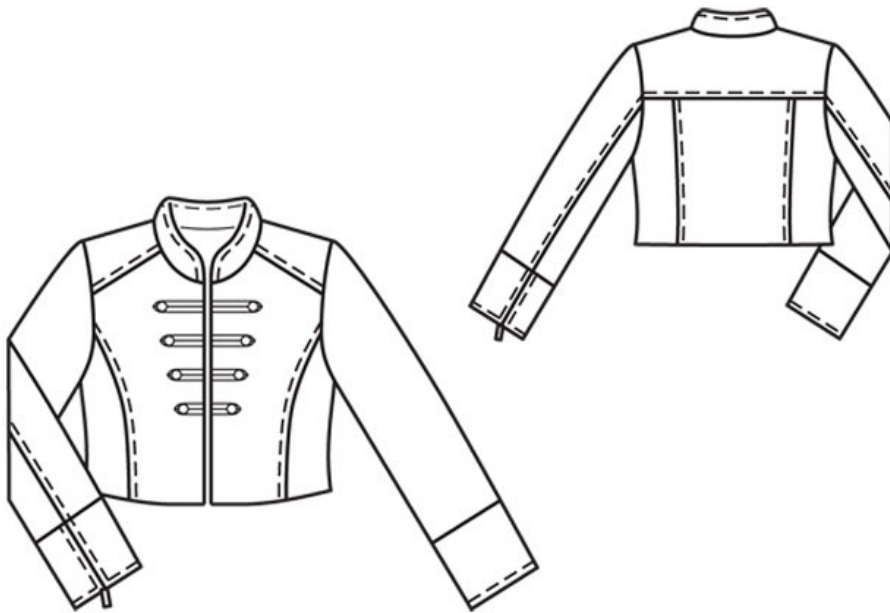
- 1 centre front 2x
- 2 side front 2x
- 3 centre back, on a fold 1x
- 4 side back 2x
- 5 yoke, on a fold 1x
- 6 front sleeve 2x
- 7 back sleeve 2x
- 8 cuff 4x
- 9 standing collar, on a fold 2x
- 10 front facing 2x
- 11 front hem facing 2x
- 12 neck facing, on a fold 1x

Lining:

- piece 1 minus front facing;
- piece 5 minus neck facing;
- piece 3 with an ease pleat of approx. 2 cm (3/4 in) at centre back;
- pieces 2, 4, 6, and 7.

Interfacing: Interface the outer cuff pieces. Also interface the back hem allowance.

Step 3 — Sewing



Stitch the front and back vertical section seams (seam numbers 1 and 2). Press the seam allowances onto the centre pieces. Topstitch the centre pieces 7 mm (1/4 in) from the seams.

Stitch the yoke to the front and back pieces. Topstitch the yoke along joining seams.

For the decorative fasteners, cut pieces of velvet ribbon: 2 pieces, each of 15 cm (6 ins), 14 cm (5 1/2 ins), 12 cm (4 3/4 ins), and 11 cm (4 3/8 ins) long. Fold each piece of ribbon in half so that ends lie next to one another and a point is formed at the centre. Press the point. Sew together ribbon edges which lie next to one another, by hand. Lay the fasteners on the front over the markings. Sew the fasteners in place by hand.

Stitch the front facings to the neck facing and hem facings. Clip the seam allowances of the front facings at the seam marks. Press the seam allowances open.

Stitch the outer collar piece to the neck edge and stitch the inside collar piece to the facing. Trim seam allowances and press seams open.

Pin the facing right sides together with the jacket, pinning the collar pieces together. Stitch along the hem edges, front edges, and collar edges. Trim seam allowances, trimming the corners diagonally. On curves,

clip allowances several times. Turn facing to the inside and turn collar right side out. Pin the collar joining seams together exactly. At neck edge, turn facing up again and stitch the seam allowances together, close to the collar joining seam, stitching as far as possible in front. Turn the facing down again. Topstitch close to edges of collar.

Stitch the side seams and stitch the front hem facings to the back hem allowance. Press the hem allowance to inside. Sew front hem facings and back hem allowance in place by hand.

Stitch the back sleeve seams. Topstitch the front sleeves along the seams. Stitch the underneath sleeve seams.

Lay each interfaced cuff piece on cuff piece with no interfacing, right sides together. Stitch lower edges together. Trim seam allowances and press seams open. Press the seam allowances on the narrow edges to the inside. Fold the cuffs together again, wrong side facing in. Press the lower edges. Baste the narrow edges together, catching the zips between fabric layers so that zip teeth are covered. The zips should open from bottom to top. Stitch zips in place, 7 mm (1/4 in) from edges. Topstitch 7 mm (1/4 in) from lower edges of the cuffs. Close the zips. Stitch the cuff edges together to the lower edges of the sleeves edges of the vent meet at back sleeve seam. Carefully stitch over the zip when stitching the cuffs in place you may wish to turn the hand wheel by hand when stitching over the zip. Press the seam allowances of the joining seams up. Trim ends of zip tapes. Topstitch sleeves close to joining seam, being careful of the zip.

Set in sleeves. Turn the garment inside out and set in sleeves in each armhole, right sides facing each other, easing the sleeve caps. Pin the sleeve to the armhole and stitch around the armhole opening. Press the seam allowance out in to the sleeve.

Construct lining: Baste the ease pleat in the back lining piece. Press the pleat to one side and baste to the top and bottom edges. Stitch the seams of the lining. Set in the sleeve linings.

Sew lining in jacket: Sew lining right sides together with inside edge of facing, leaving approx. 8 cm (a generous 1/4 in) open at bottom. Lay lining inside jacket, with wrong sides facing, pulling linings into sleeves. Pin a fold, approx. 1 cm (3/8 in) deep, in lining, above jacket hem. Turn in lining and sew to hem facings and to hem allowance by hand. Lay extra length of lining down and press. Sew remaining front lining edges in place. Turn edges of sleeve linings under and sew to cuff joining seams.

Sew buttons to ends of decorative fasteners.

BurdaStyle

Girl's Jacket 03/2012