

# Vest 03/2012

By: burda style magazine

<http://www.burdastyle.com/projects/vest-032012>

---



Vest sewing pattern. Get stylish with this modern vest. Made from Ottoman fabric with a bit of stretch, this vest can also look great in a nice wool. burda style magazine patterns FAQ

## Materials

Ottoman fabric (with widthwise ribs), fabric width: 140 cm (55 ins), length: 0.90, 1.00, 1.00, 1.00, 1.00 m (1, 1 1/8, 1 1/8, 1 1/8, 1 1/8 yds), cut widthwise. Lining, 140 cm (55 ins) wide: 0.70 m (7/8 yd) for all sizes, cut lengthwise.

---

## Step 1 — Preparations



Paper cut for ANSI A (German DIN A4) prints:

This pattern is printed on 8.5 × 11 sheets of plain paper. Do not scale or center pages before printing. Wait until all sheets are printed out before beginning to tape them together. **Do not cut out pattern pieces yet**— Arrange the sheets on a large, hard, flat surface so that they fit together, matching up like numbers and letters (i.e. 6A to 6A). To tape pattern together, fold under the margin of one piece (6A) and tape right against the line of it's matching number/letter (6A).

Trace the pattern pieces from the pattern sheet. Follow lines and details for style 123 (this pattern sheet also includes pieces and details for style 124). Trace the facings from pieces 1, 2, and 5 each as a separate pattern piece.

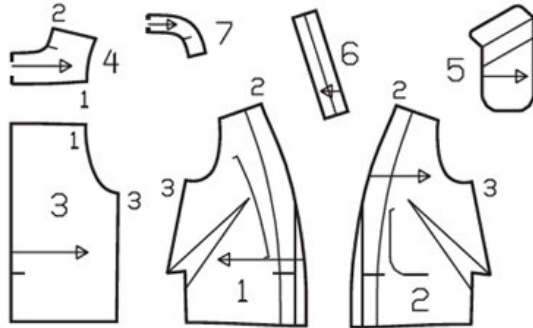
**burda style magazine pattern do not have seam allowance included.**

Seam and hem allowances to be added: Seams and edges 1.5 cm (5/8 in), hem 4 cm (1 5/8 ins), lining 1.5 cm (5/8 in).

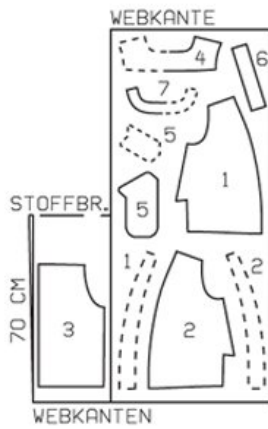
---

## Step 2 — Cutting out

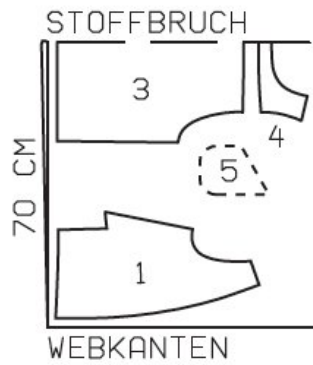
Size 36 ————  
 Size 38 ————  
 Size 40 ————  
 Size 42 ————  
 Size 44 ————



Main fabric, 140 cm fabric width



Lining, 140 cm fabric width



Webkante = Selvage  
 Stoffbruch = Fabric fold

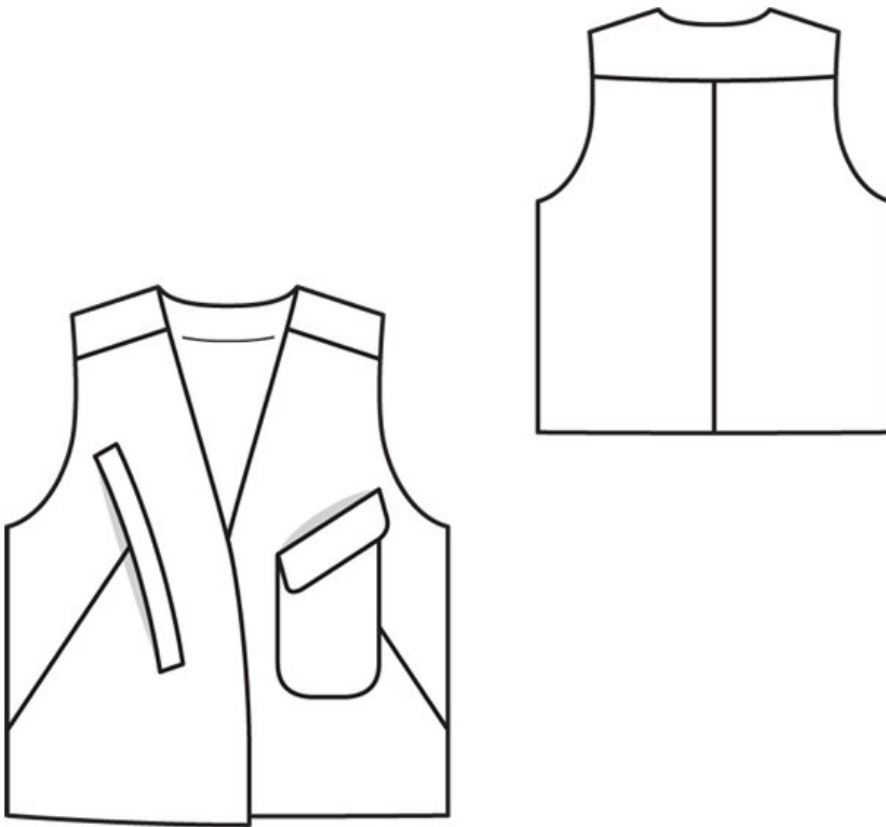
**Main fabric:**

- 1 right front 1x
- right front facing 1x
- 2 left front 1x
- left front facing 1x
- 3 back 2x
- 4 yoke, on a fold 1x
- 5 pocket with integrated flap 1x
- flap facing 1x
- 6 welt 1x
- 7 neck facing, on a fold 1x

**Lining:**

- pieces 1, 4, and 5 minus facing width;
  - piece 3, on a fold at centre back.
- Cut lining pieces on length wise grain, from a double layer of fabric, see pattern layout.

### Step 3 — Sewing



Stitch the front darts. Trim dart allowances to 1 cm (3/8 in) wide and press open, pressing points of darts flat.

Fold welt on fold line right side facing in. Stitch across narrow edges. Turn welt right side out. Press welt to match attachment line, stretching attachment edge and easing fold edge. Trim seam allowances of attachment edge to 7 mm (1/4 in) wide and neaten together. Stitch welt, face down, to right front, along attachment line welt points toward front. Turn welt to the side and stitch across narrow edges.

Patch pocket: Stitch pocket piece of lining fabric to flap facing, leaving approx. 5 cm (2 ins) open in centre, for turning. Press seam allowances onto the lining. Lay facing and lining right sides together with the pocket and stitch around all edges. Turn pocket right side out. Press edges. Sew opening closed. Pin pocket to left front, at abutting line. Edgestitch in place, below fold line. Press flap down.

Stitch the centre back seam. Stitch yoke to front and back pieces. Press seam allowances open.

Stitch darts in lining. Stitch facings to lining pieces. Press seam allowances onto lining. Stitch yoke lining to lining pieces and stitch facings together in front.

Pin the facing and lining right sides together with the waistcoat. Stitch along front edges and neck and

armhole edges. Trim the seam allowances and clip allowances along the curves. Turn waistcoat right side out by pulling the fronts into the back through the shoulder tunnels . Press the edges.

At armholes, turn lining up again. Stitch side seams of outer fabric and lining as continuous seams. Turn lining down again.

Press hem allowance to inside and sew in place by hand. Turn in lining along hem edge. Press fold edge lightly, push upward in a shallow curve, and pin to hem allowance. Sew facings and lining in place. Lay extra length of lining down and press lightly.

---

**BurdaStyle**

Vest 03/2012