

## Leather Front Vest 06/2012

By: burda style magazine

<http://www.burdastyle.com/projects/leather-front-vest-062012>

---



This is a little leather button-up vest with the back left open except for two straps that criss-cross. This vest will give any outfit a little western flair, and looks great over a plain top.

---

## Step 1 — Preparations



This pattern is printed on 8.5 × 11 sheets of plain paper. Do not scale or center pages before printing. Wait until all sheets are printed out before beginning to tape them together. **Do not cut out pattern pieces yet**— Arrange the sheets on a large, hard, flat surface so that they fit together, matching up like numbers and letters (i.e. 6A to 6A). To tape pattern together, fold under the margin of one piece (6A) and tape right against the line of it's matching number/letter (6A).

Trace the pattern pieces from the pattern sheet according to your size. Trace the front facing from piece 21 as a separate pattern piece.

The snap fasteners on piece 21 are marked for size 36. For the other sizes, mark the top snap the same distance from upper edge as for size 36. The bottom snap is the same for all sizes. Centre the third snap in between.

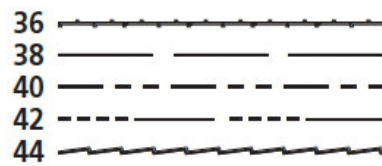
**burda style magazine pattern do not have seam allowance included.**

Seam and hem allowances to be added:

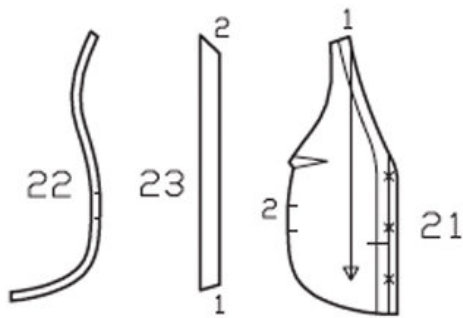
Seams and edges 1 cm (3/8 in). Cut lining pieces without allowances.

---

## Step 2 — Cutting Out



Pattern Pieces 21-23



Cut the pattern pieces out of leather

Nappa leather:

21 front 2x

front facing 2x

22 side and lower facing 2x

23 strap 4x

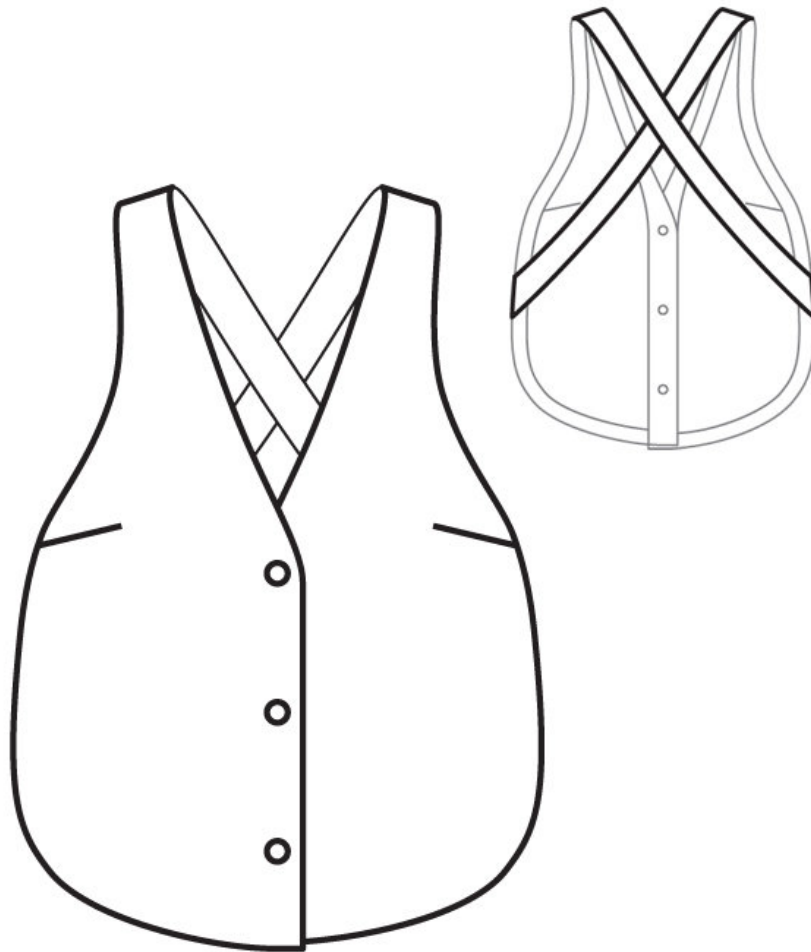
Lining:

21 front 2x

Interfacing: Iron to wrong sides of facing pieces and 2 strap pieces.

---

### Step 3 — Sewing



Stitch bust darts on fronts starting at dart edges and stitching towards dart tip along dart line. Trim dart allowances to 1 cm (3/8 in) wide and cut to 1 cm (3/8 in) before point. Spread darts open and glue down (textile adhesive). On narrow upper edge of each front piece, trim away seam allowance.

Lay each front piece on strap piece with no interfacing, with narrow upper edge of front on narrow front edge of strap, and edgestitch in place (seam number 1).

Stitch darts in front lining pieces and press darts down. Trim away seam allowance on inside edges of facings. Lay facings on front lining pieces, seam allowances of facings extend at outer edges.

Stitch close to inside facing edges. Use glue stick to glue lining pieces to facings. On narrow front edge of each interfaced strap piece, trim away seam allowance then stitch strap to upper narrow edge of front lining piece.

Lay the facings and lining wrong sides together with the fronts, laying straps together. Use glue stick to glue the edges together, but do not glue side edge of fronts, between seam marks. Topstitch 12 mm (1/2 in) from front edges and long strap edges, as continuous seams, not stitching between seam marks on fronts. Trim away the 1 cm (3/8 in) wide seam allowance. Cross the straps in back and slide the back strap ends into the open side front edges. Topstitch close to the edges.

Insert snap fasteners as marked, inserting upper snap halves in the right front edge and lower snap halves in left front edge.

---

**BurdaStyle**

Leather Front Vest 06/2012