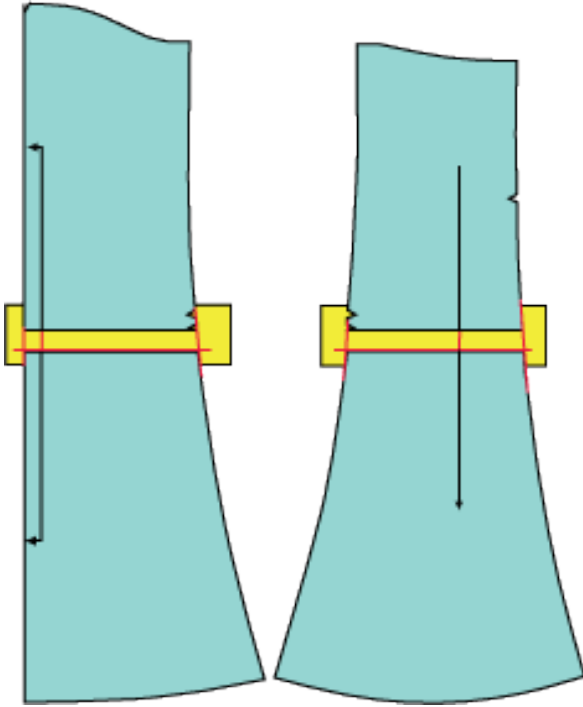


Lengthening and shortening a pattern

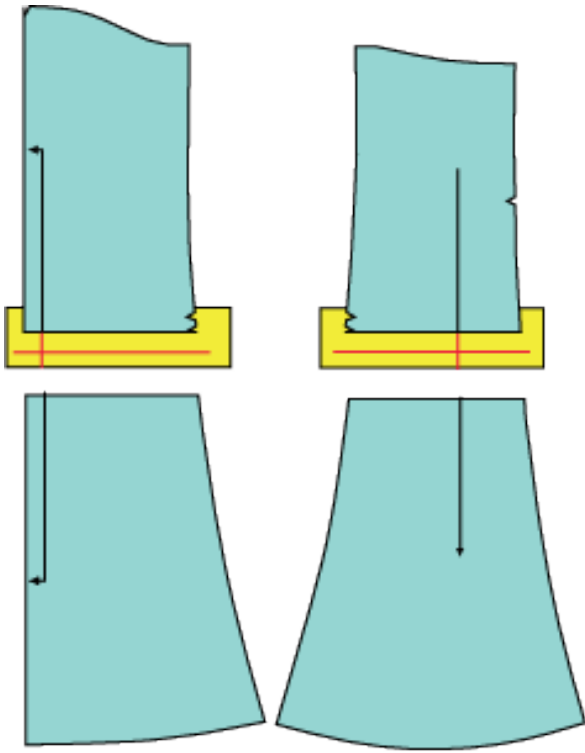
By: oliverands

<http://www.burdastyle.com/techniques/lengthening-and-shortening-a-pattern>



You’re ready to sew something but you realize that the body that will be wearing the garment doesn’t have the same measurements as the sizing chart on the pattern envelope. Not to worry. It’s easy to make pattern adjustments to accommodate these differences.

Step 1 — View the tutorial at Oliver + S



View the complete tutorial on the Oliver + S blog at <http://www.oliverands.com/blog/2010/02/lengthening-and-shortening-a-pattern.html>.

BurdaStyle

Lengthening and shortening a pattern