

Little Yellow-How To

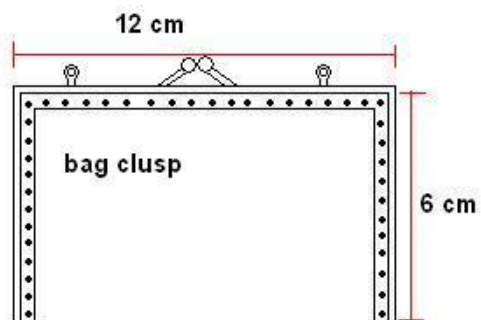
By: sabzarap

<http://www.burdastyle.com/techniques/little-yellow-how-to>



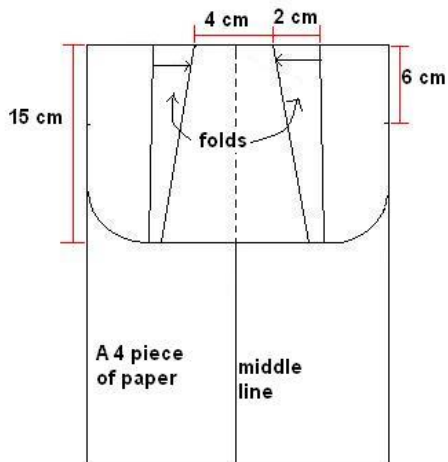
It is my first How to and I hope you understand every step. Have fun sewing is!

Step 1 — bag-clusp



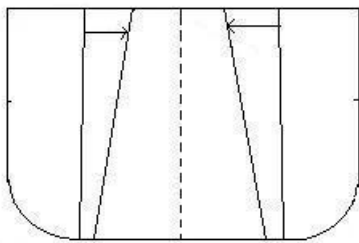
I used a bag-clusp like I painted with the shown measurements. The black dots are howles to fix the fabric on the clusp. It also has two hooks for handles.

Step 2 — pattern



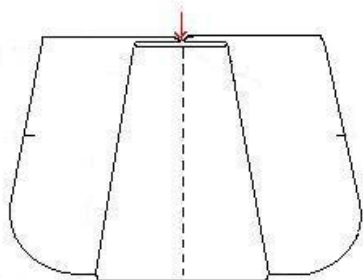
To paint the pattern use a Din A 4 page. Identify the middle of the page and mark it. Measure 15 cm from the top and make a line. Now round the edges. Measure from the middleline 2 cm to the left and the right two times. These will be the folds (see picture). The mark at 6 cm will be the point until you have to sew or rather you have to leave it open for the clasp. If you have a clasp with other measurements, you have to adjust it to your clasp.

Step 3 — result



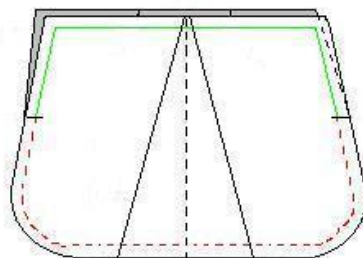
Your pattern should look like this. Now cut the pattern two times out of fabric for the outer bag and two times for the inner bag. The seam allowance should be about 1,5 cm.

Step 4 — fold



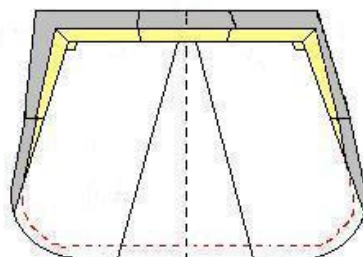
Now fold as marked all 4 pieces. Fold them to the middleline and iron it. After that, fix the fold on top with pins.

Step 5 — sew



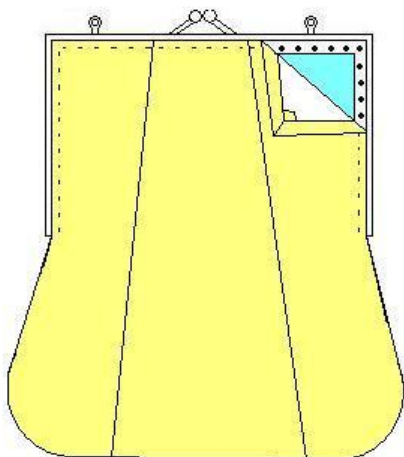
Put the outer bag-pieces together and sew between the marks. (Do the same for the inner bag.) See red dashed line in the picture. Now fold along the green line (as marked in the picture) the seamallowance into the later inside of the bag. How it should look like is shown in the next step!

Step 6 — fold



Now it should look like this. First fold the edges into the middle and than fold the straights. Fix and iron it. Do this with all sides. Turn over the outer bag and put the inner bag into the outer bag. So that you can imagine, how your new bag will look like ;O)

Step 7 — last step



Now it gets a bit triky. Put the clusp between the two bag-parts and sew it by hand. Sew the inner and outer bag through the howles together. (Black dashed line in the picture.) At least you kan fix a handle on it. Finish!!!

BurdaStyle

Little Yellow-How To