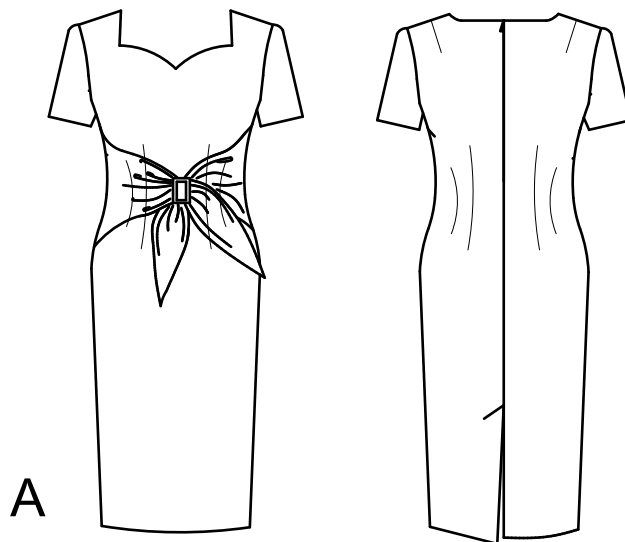


Elegant Impressions

Download Elsa #1

Size 36

SEE SIZING CHART



A

FRONT

BACK



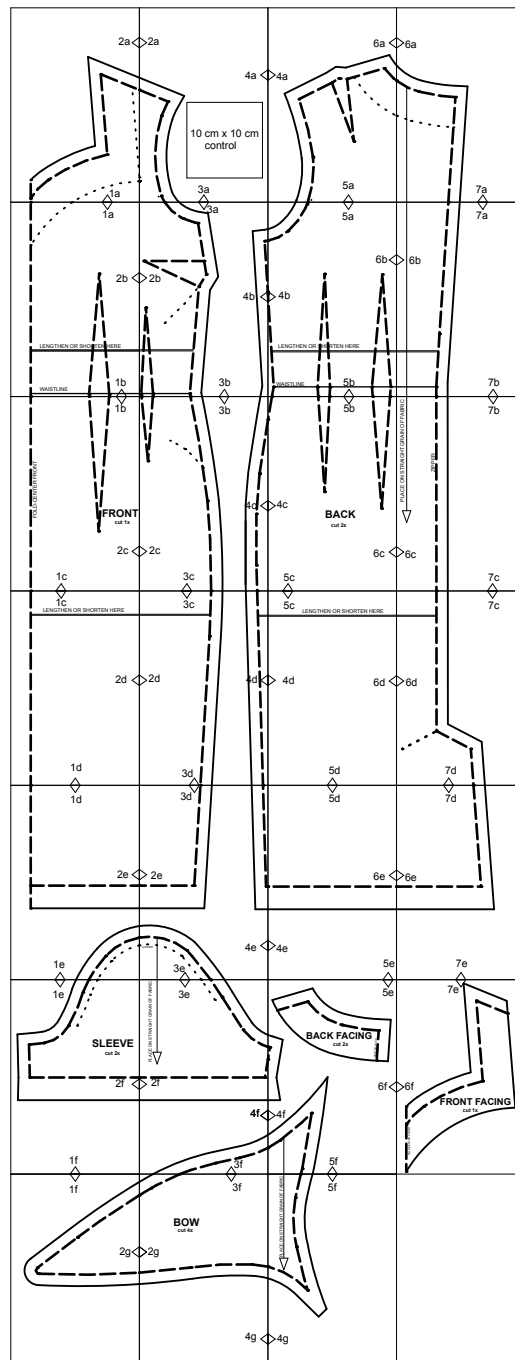
B

Please DO NOT republish or distribute this pattern without our permission

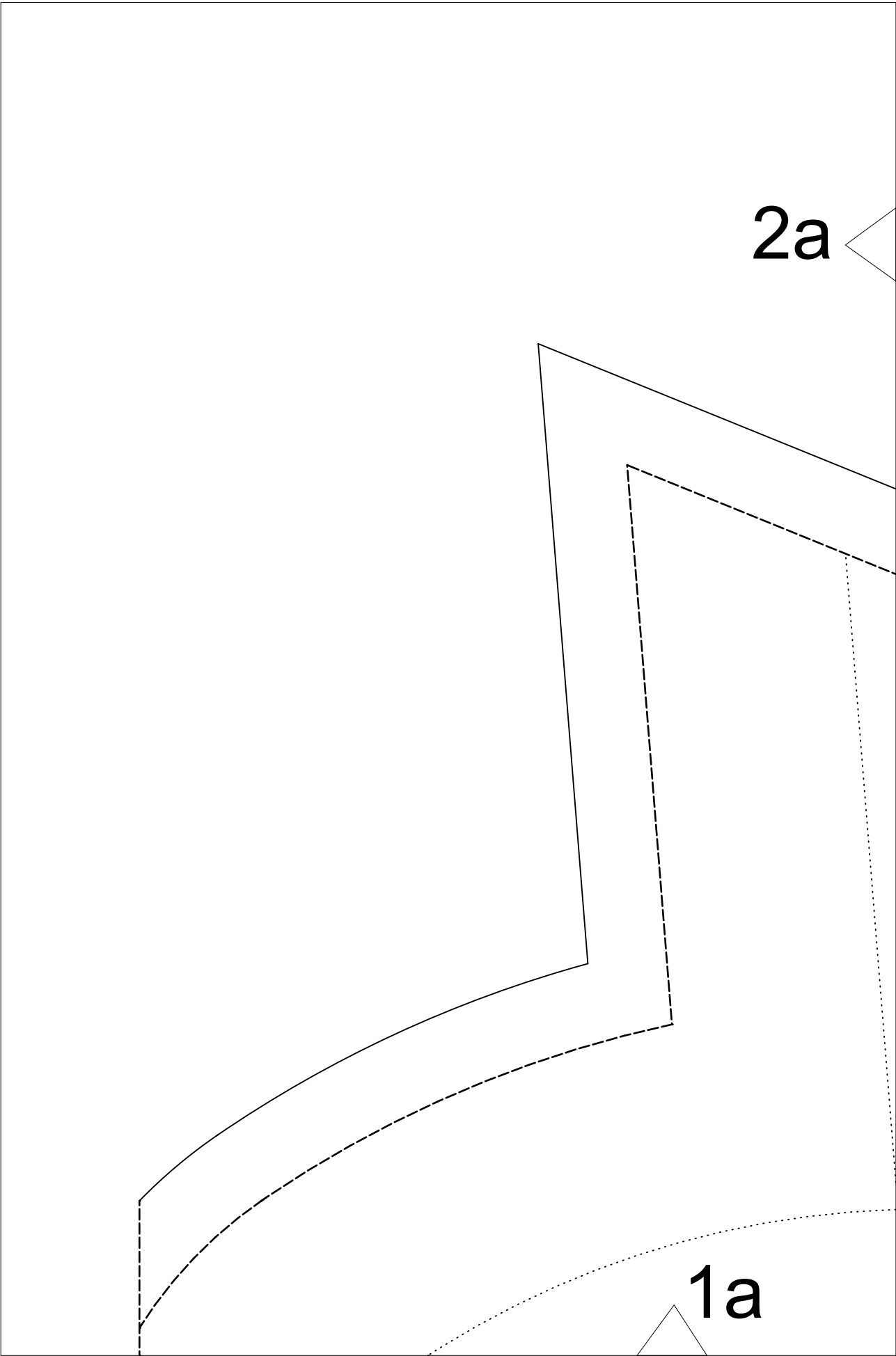
Elegant Impressions

Download Elsa #1

layout drawing

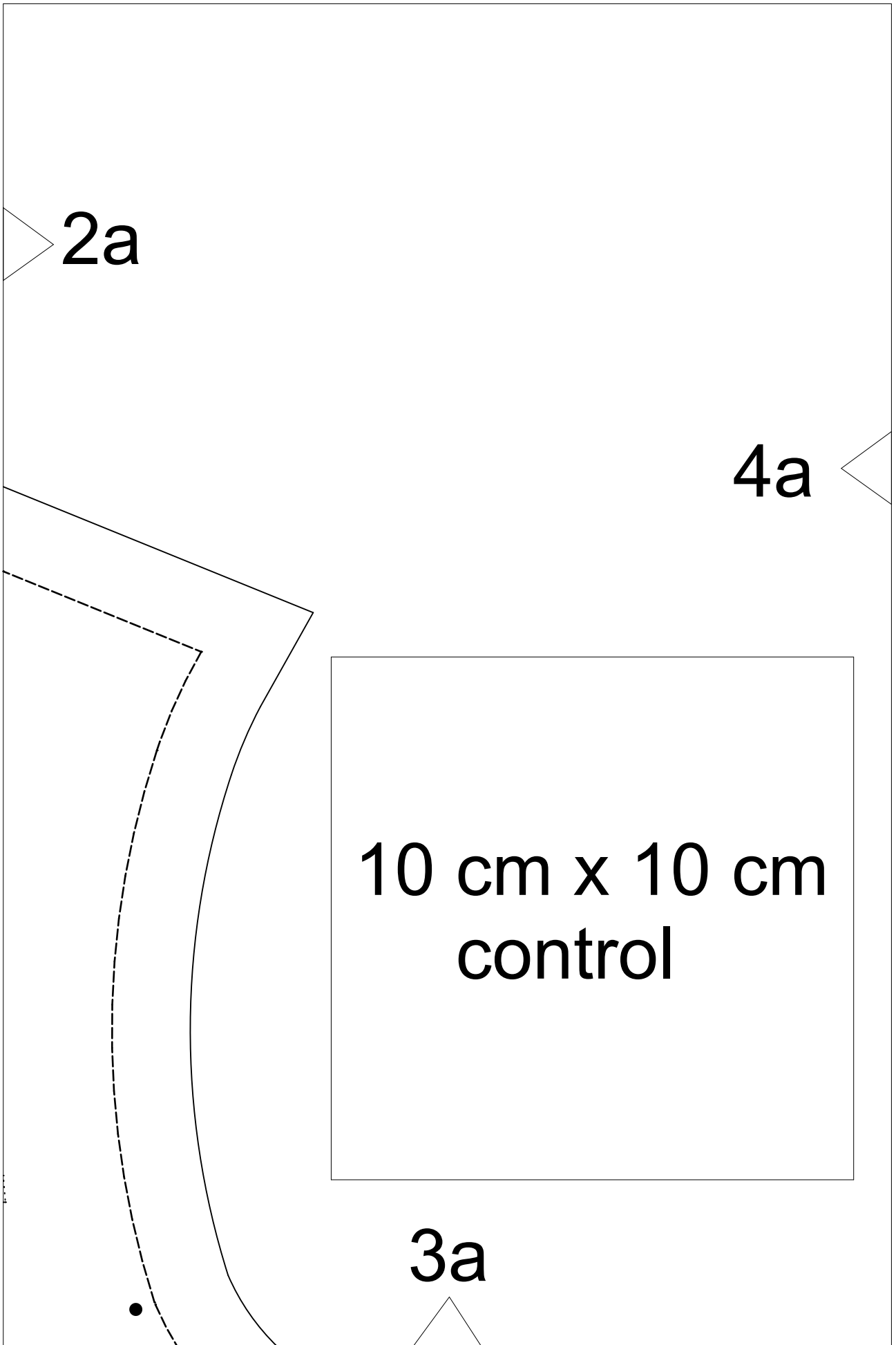


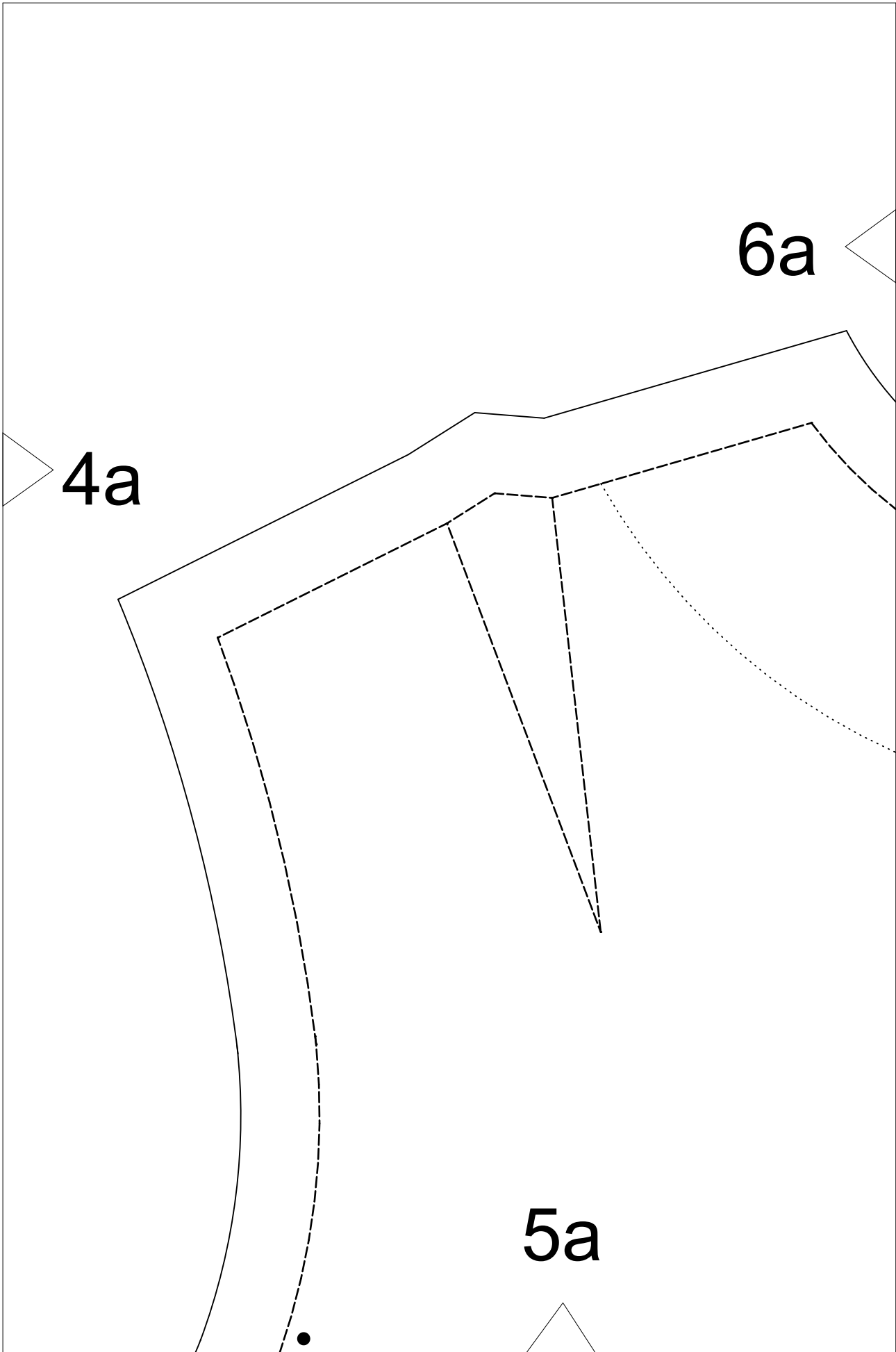
Please DO NOT republish or distribute this pattern without our permission

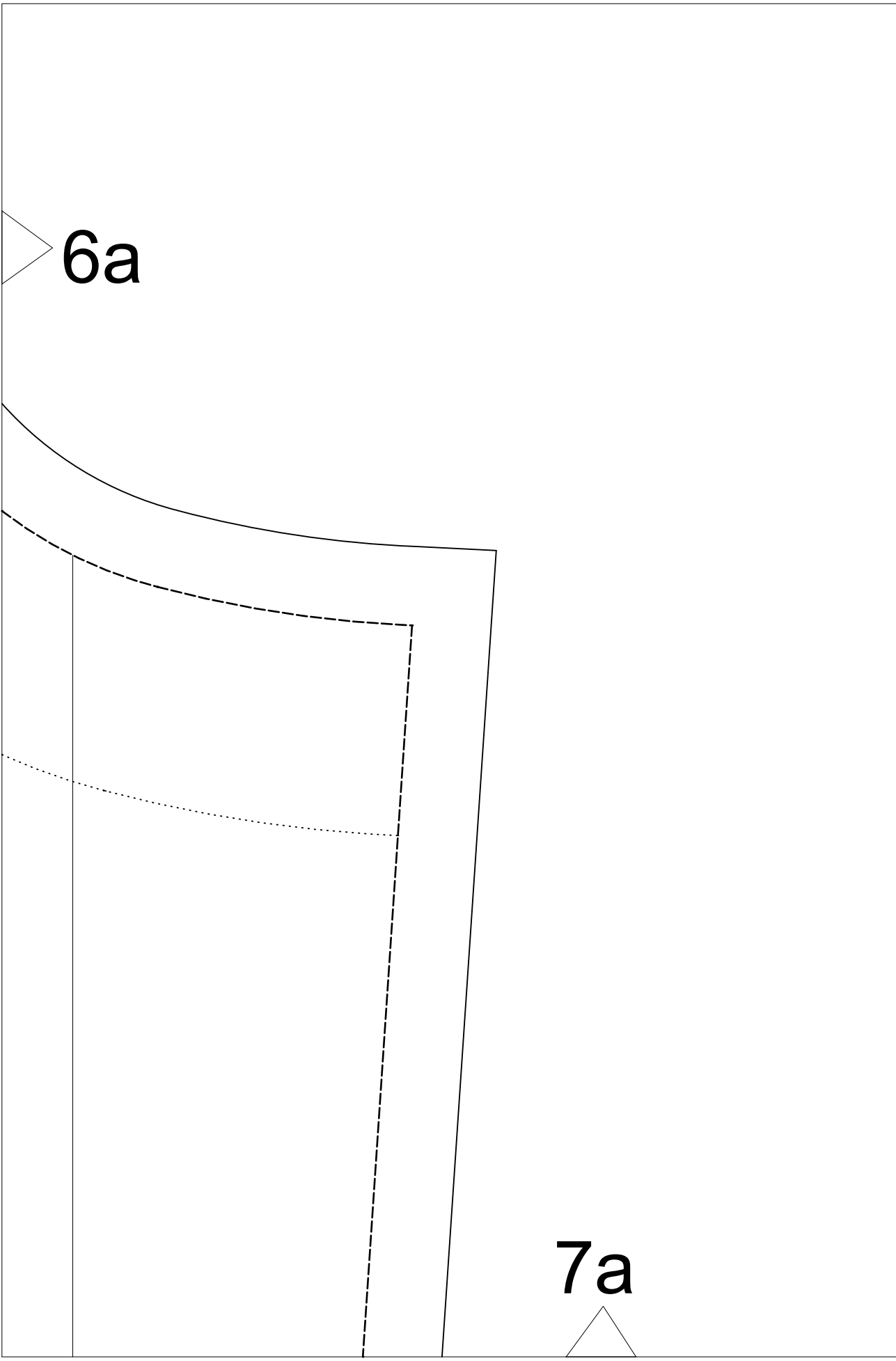


2a

1a

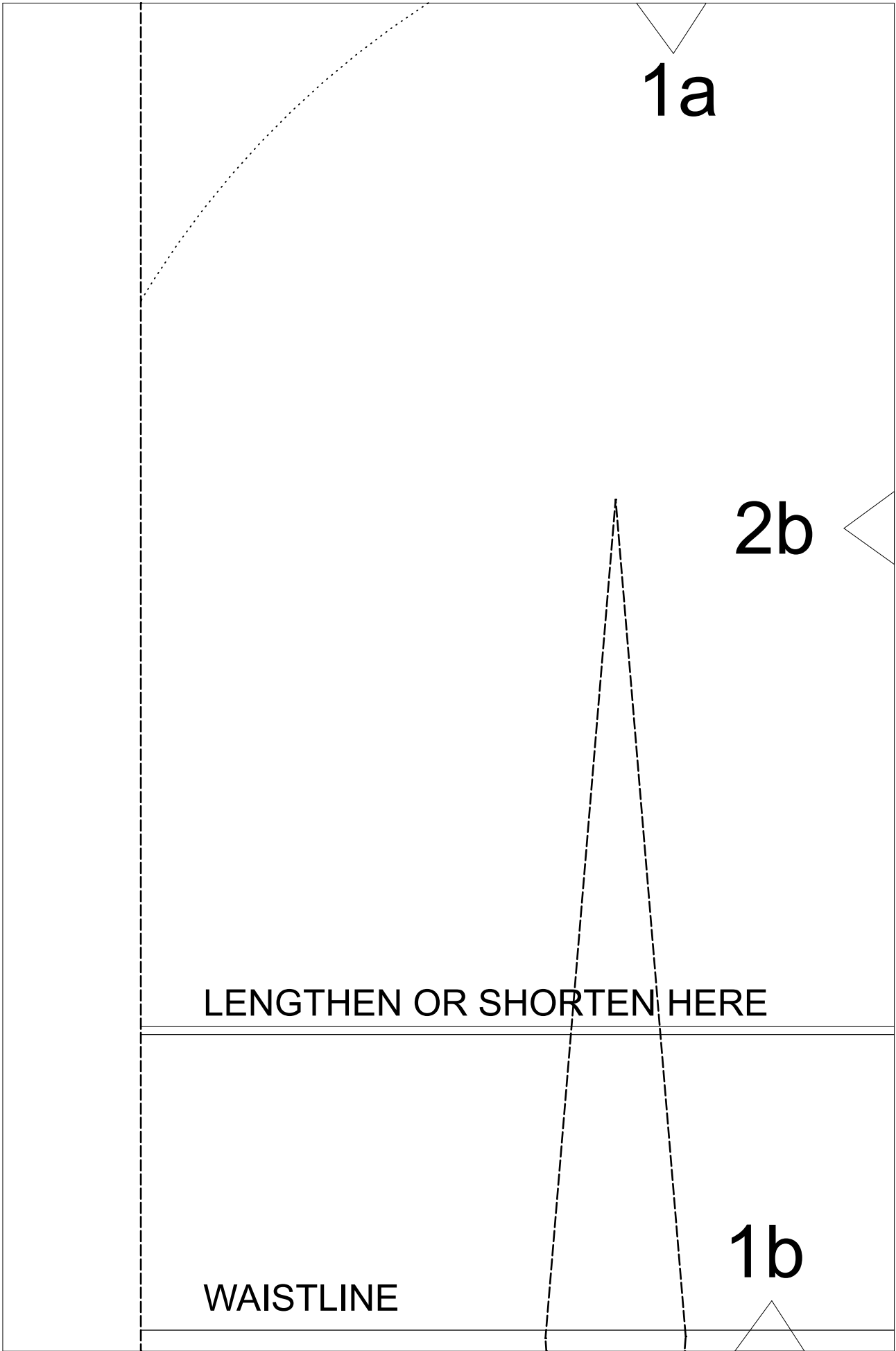


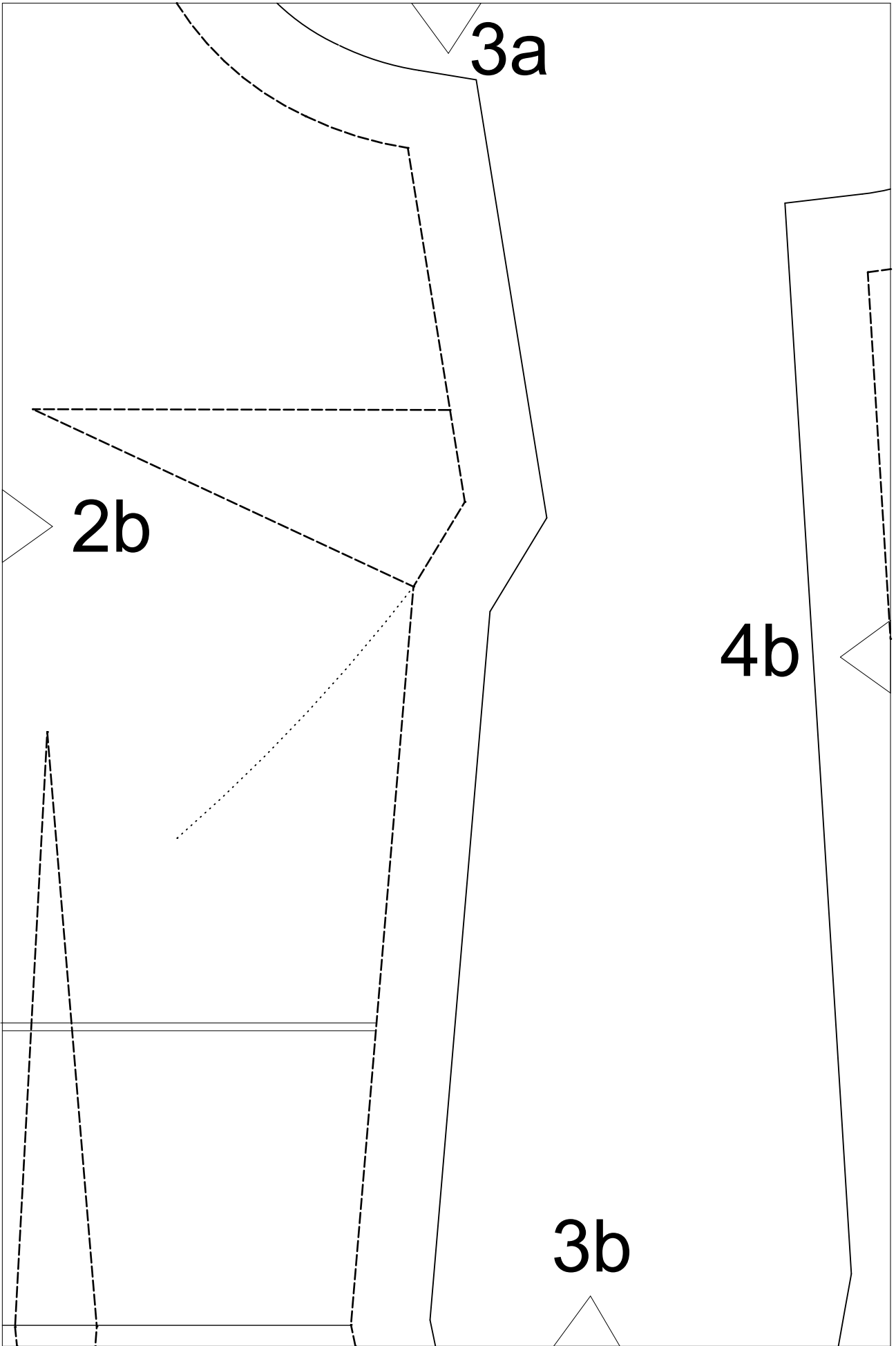


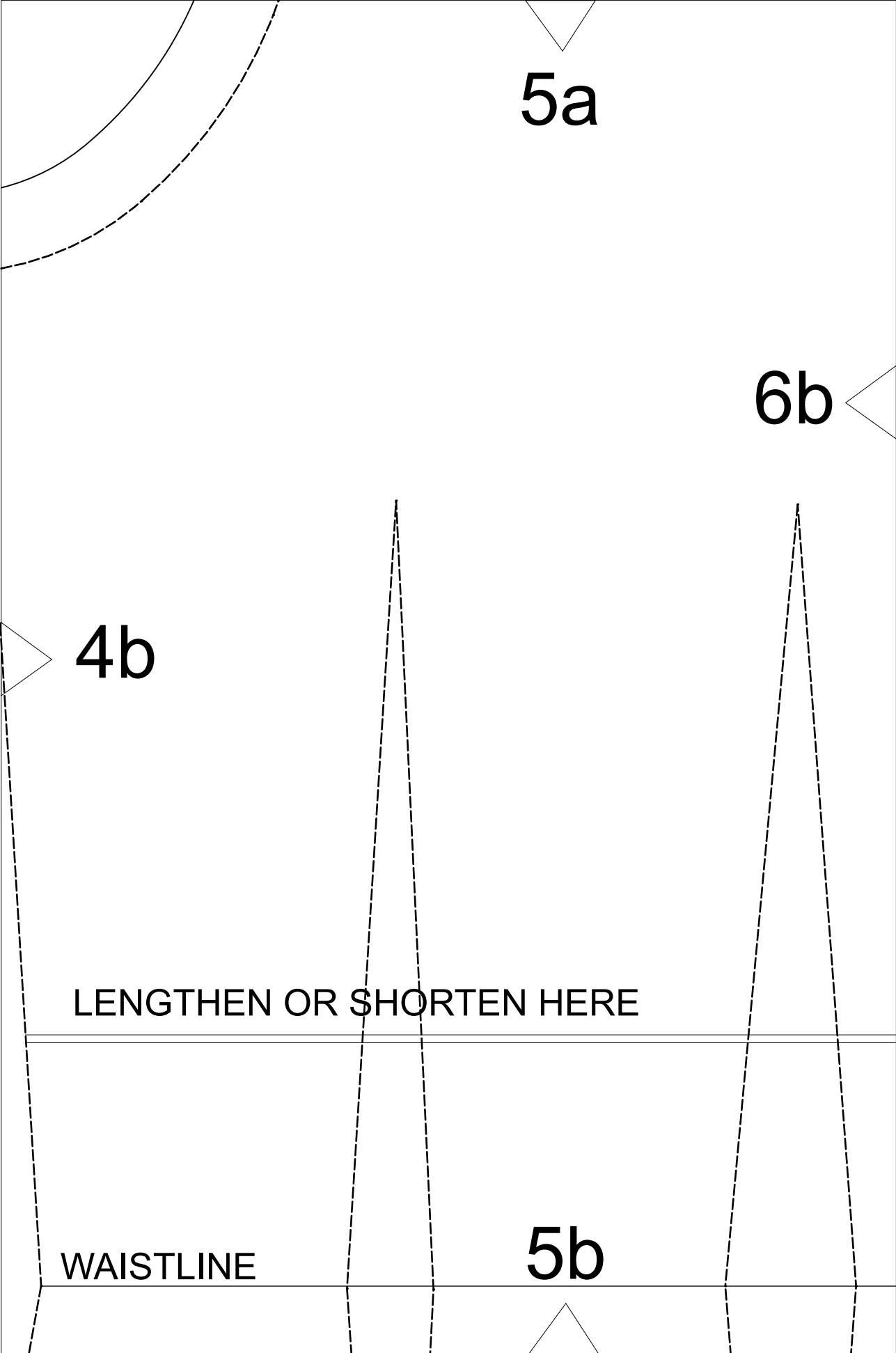


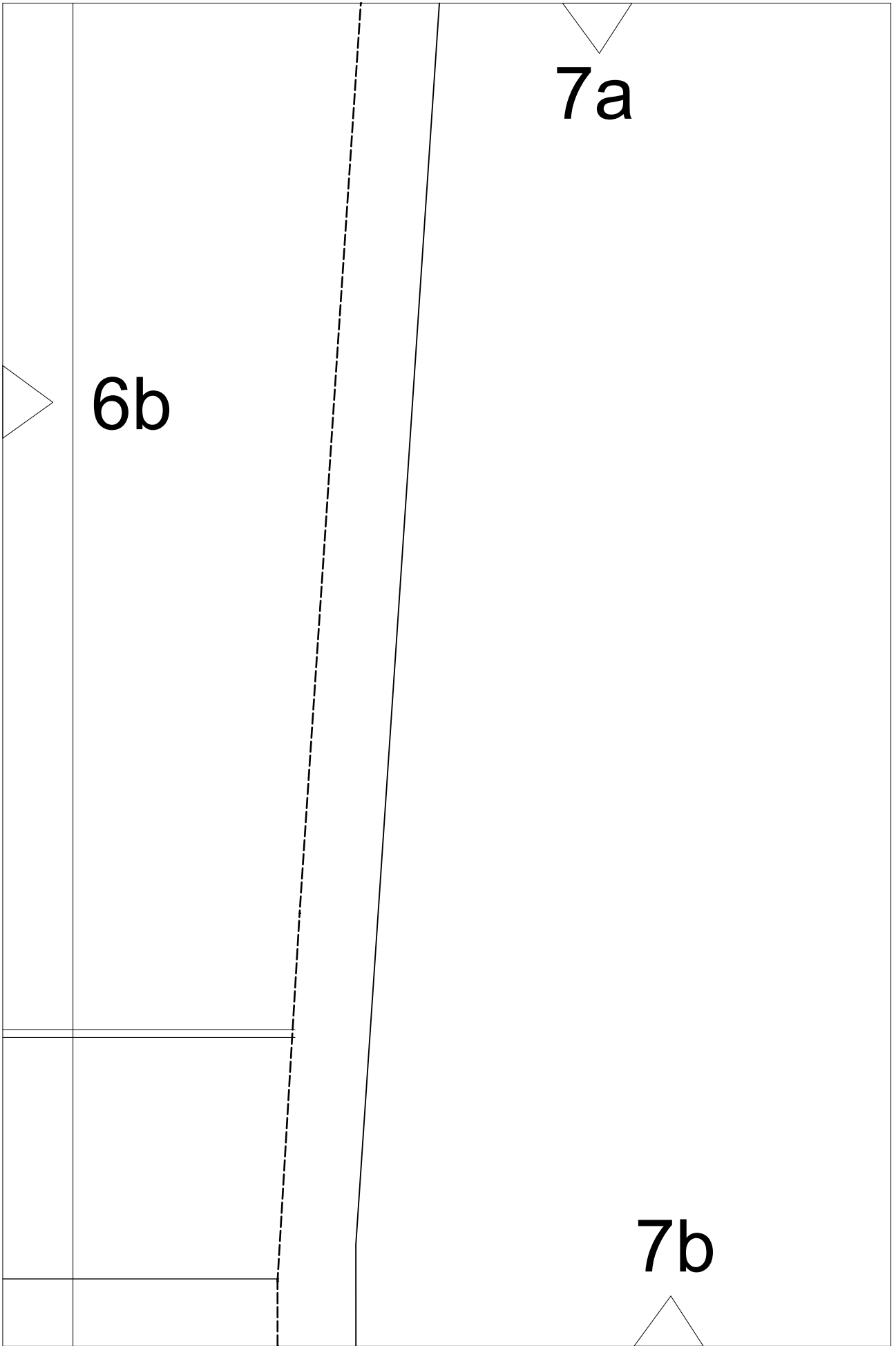
6a

7a









6b

7a

7b

FOLD-CENTER FRONT

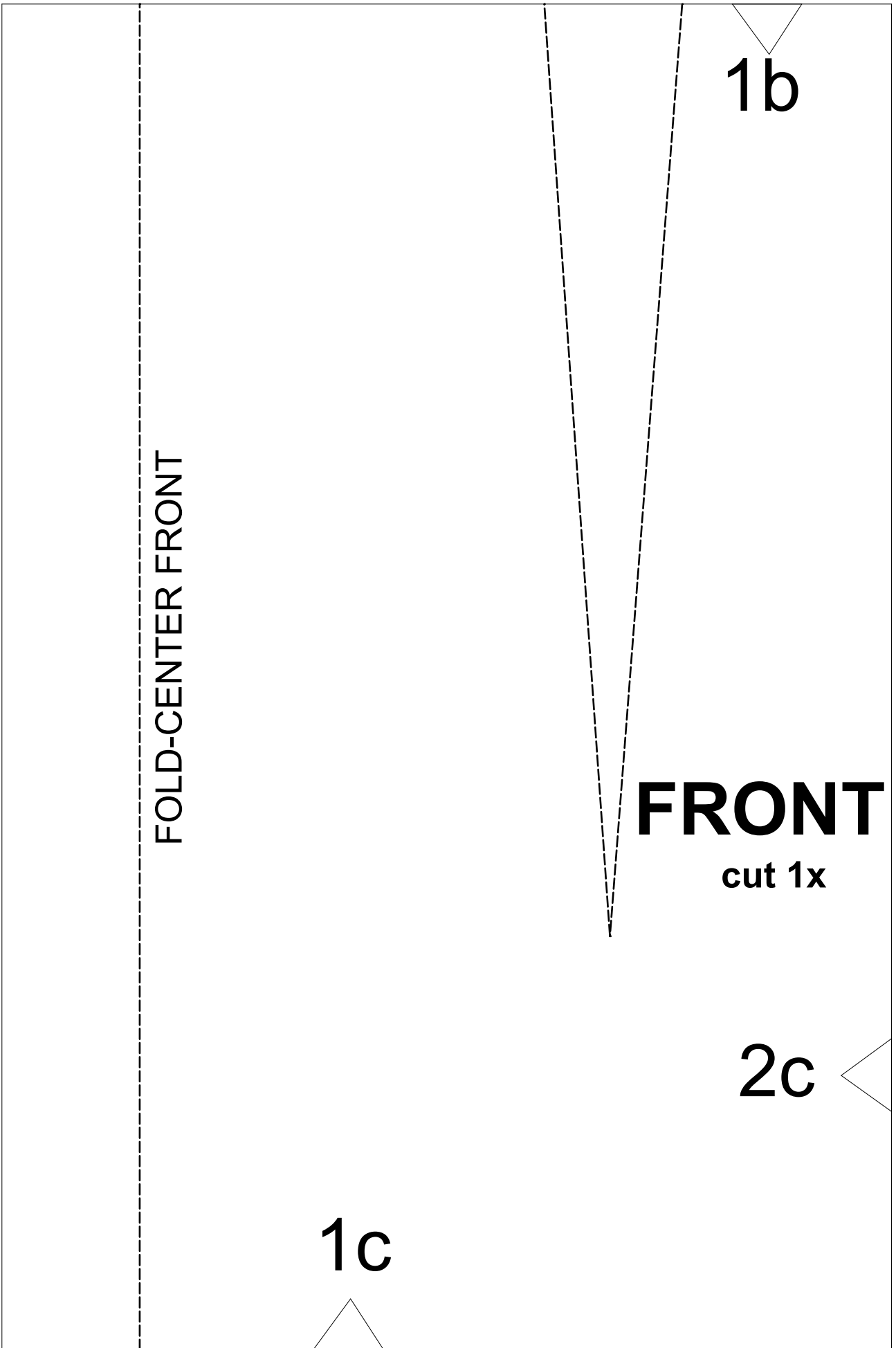
1b

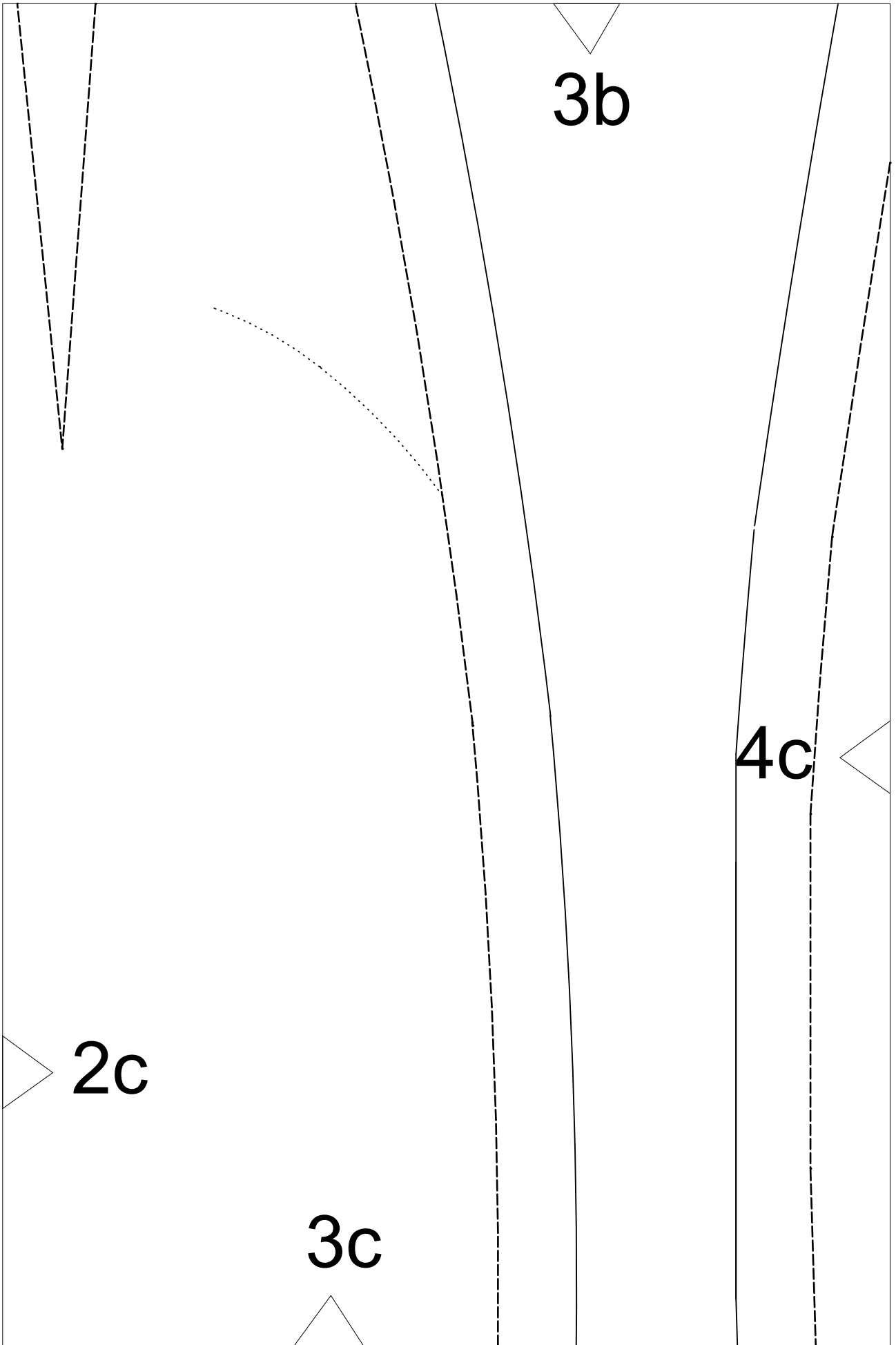
FRONT

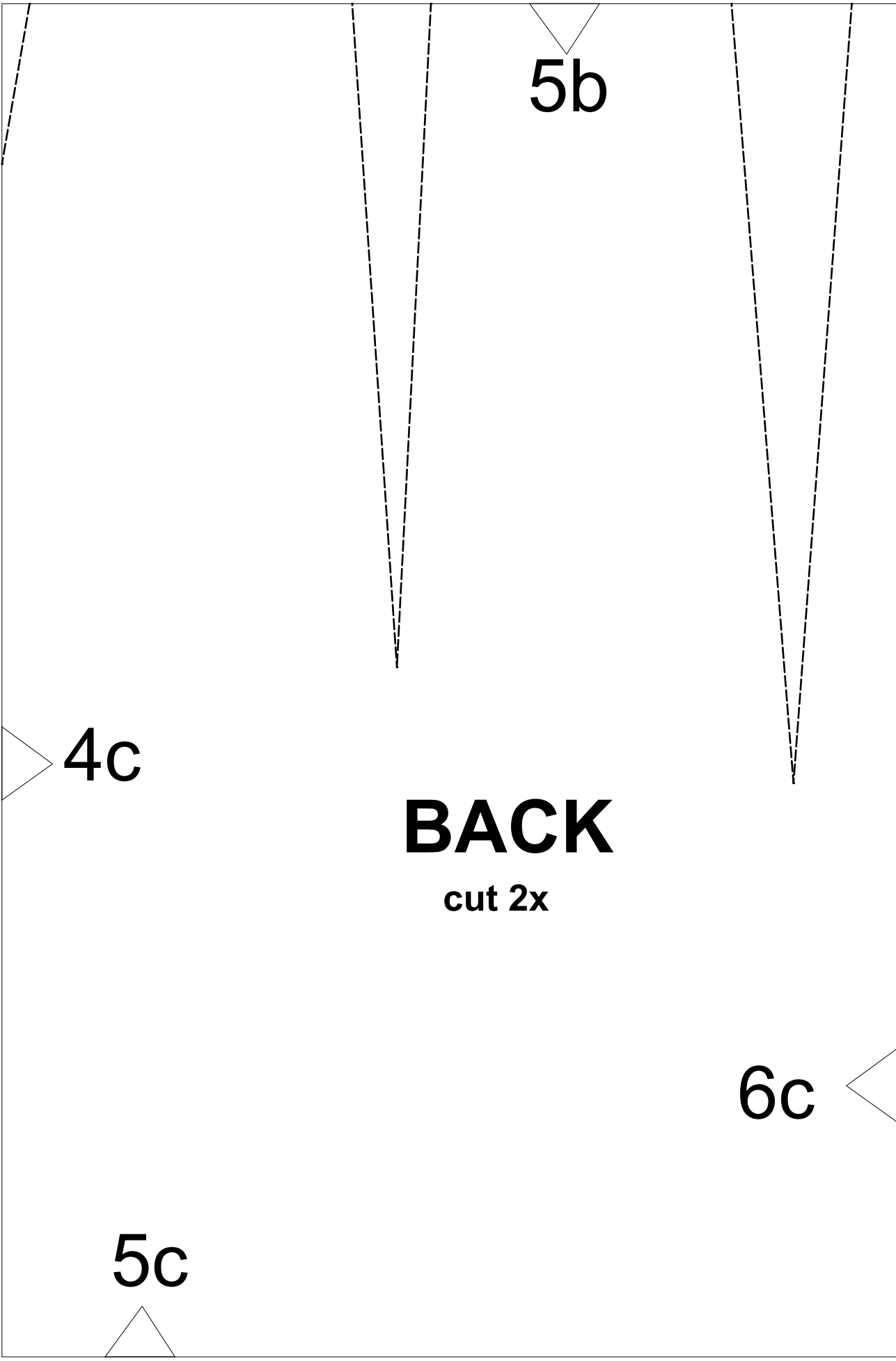
cut 1x

2c

1c







5b

4c

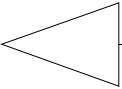
BACK

cut 2x

5c

6c

PLACE ON STRAIGHT GRAIN OF FABRIC



6c

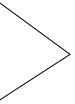
ZIPPER



7b



7c





1c

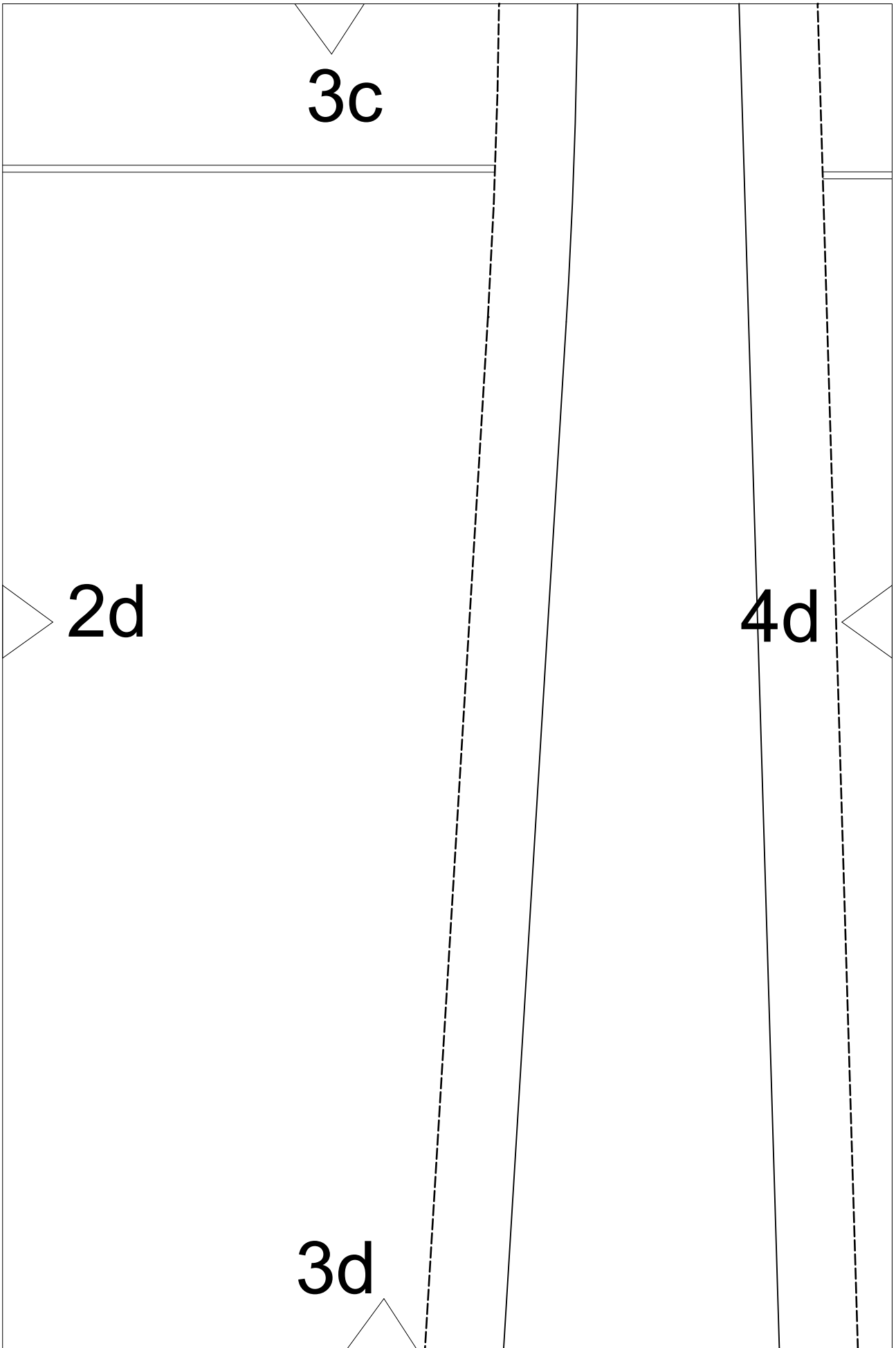
LENGTHEN OR SHORTEN HERE

2d



1d







5c

LENGTHEN OR SHORTEN HERE



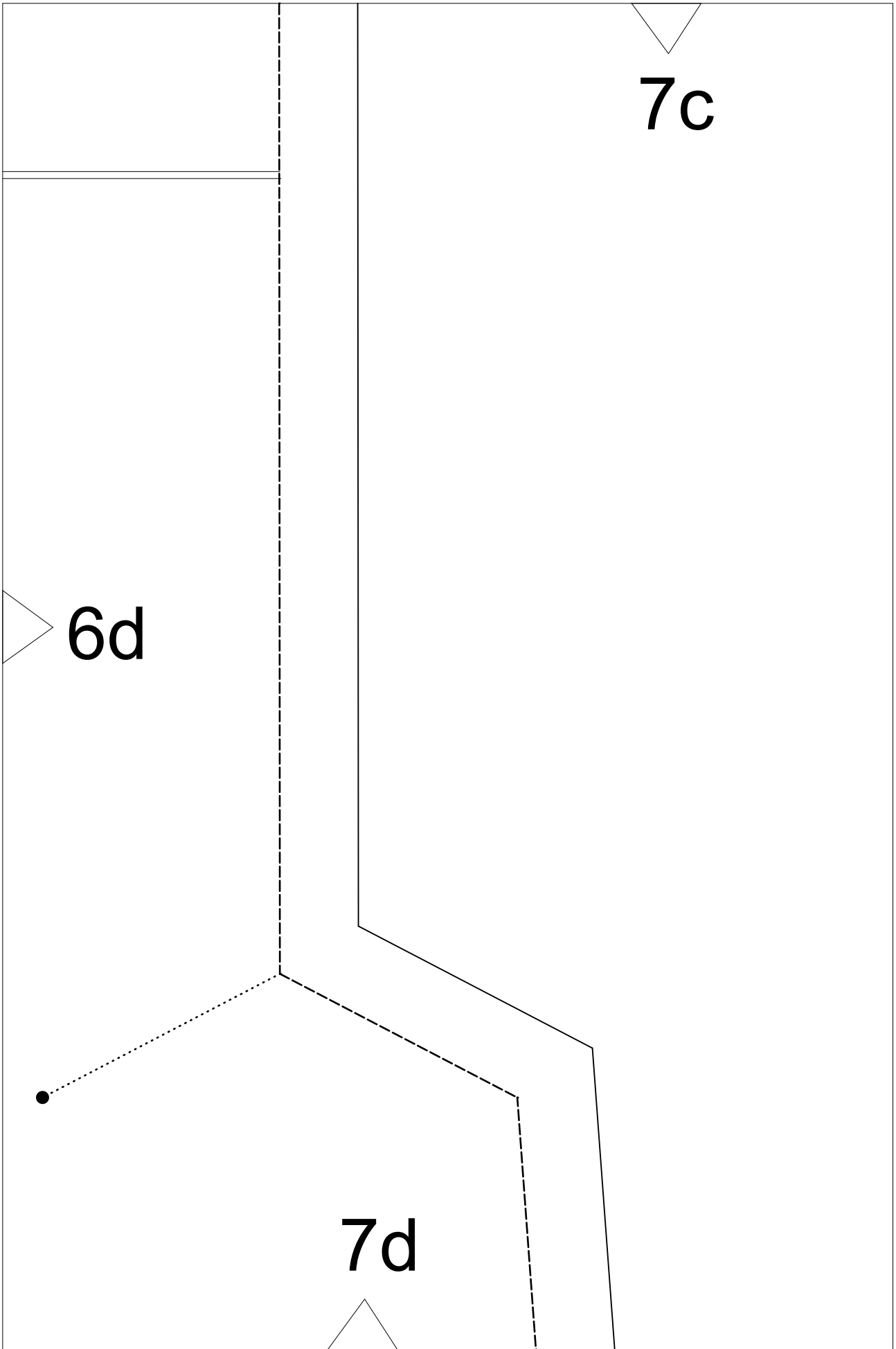
4d

6d



5d





6d

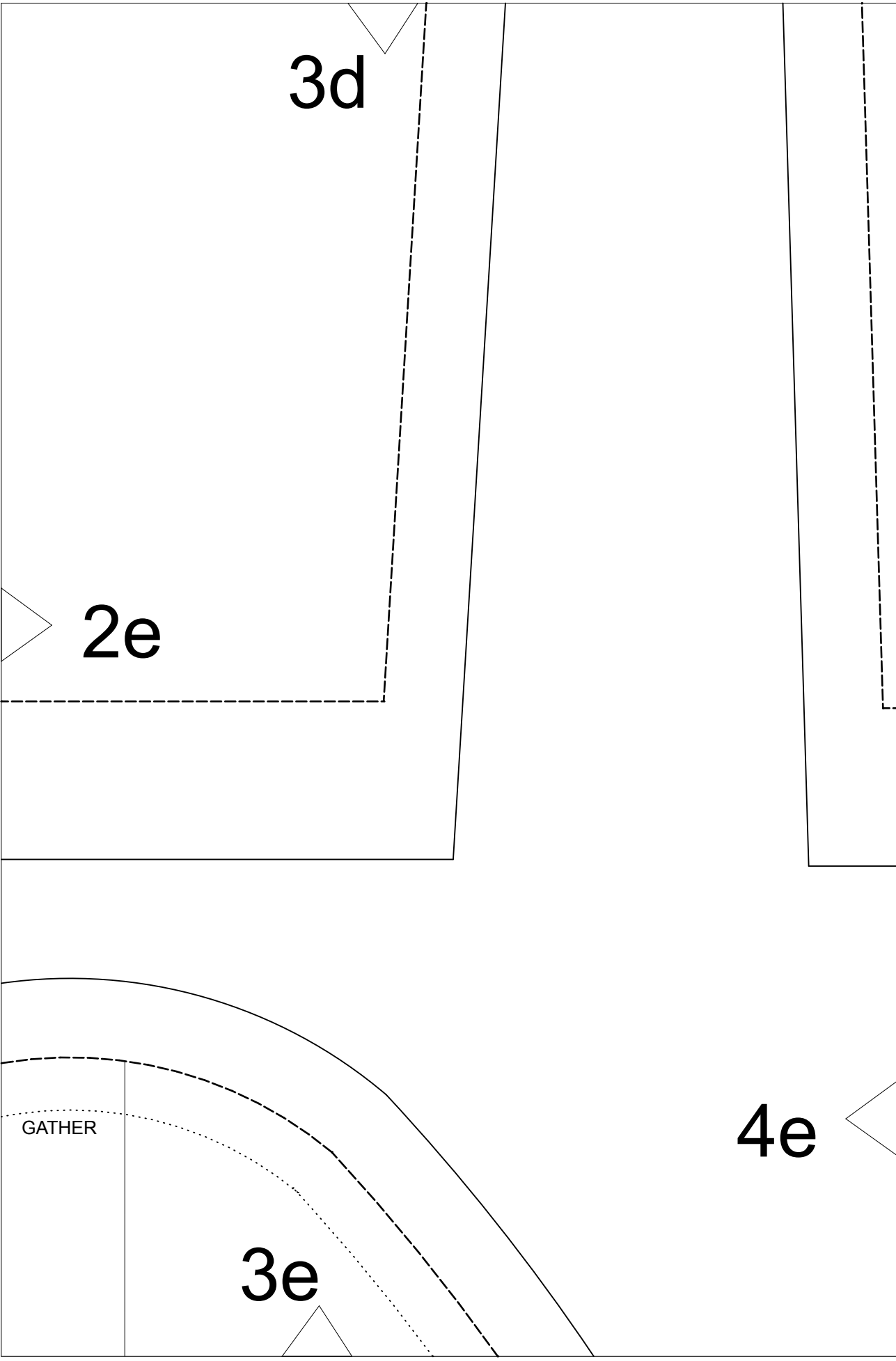
7c

7d

1d

2e

1e



3d

2e

GATHER

3e

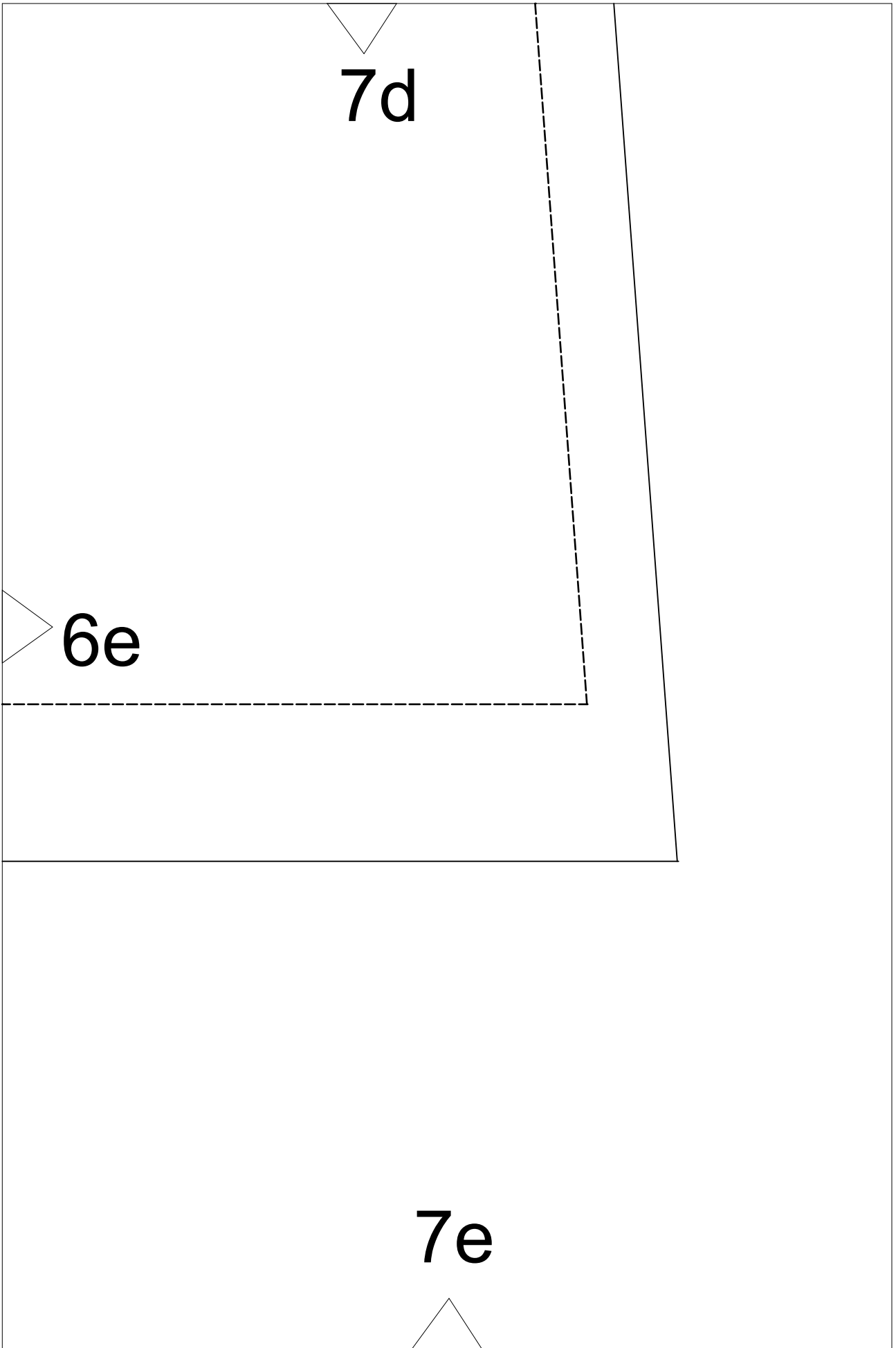
4e

5d

6e

4e

5e



7d

6e

7e

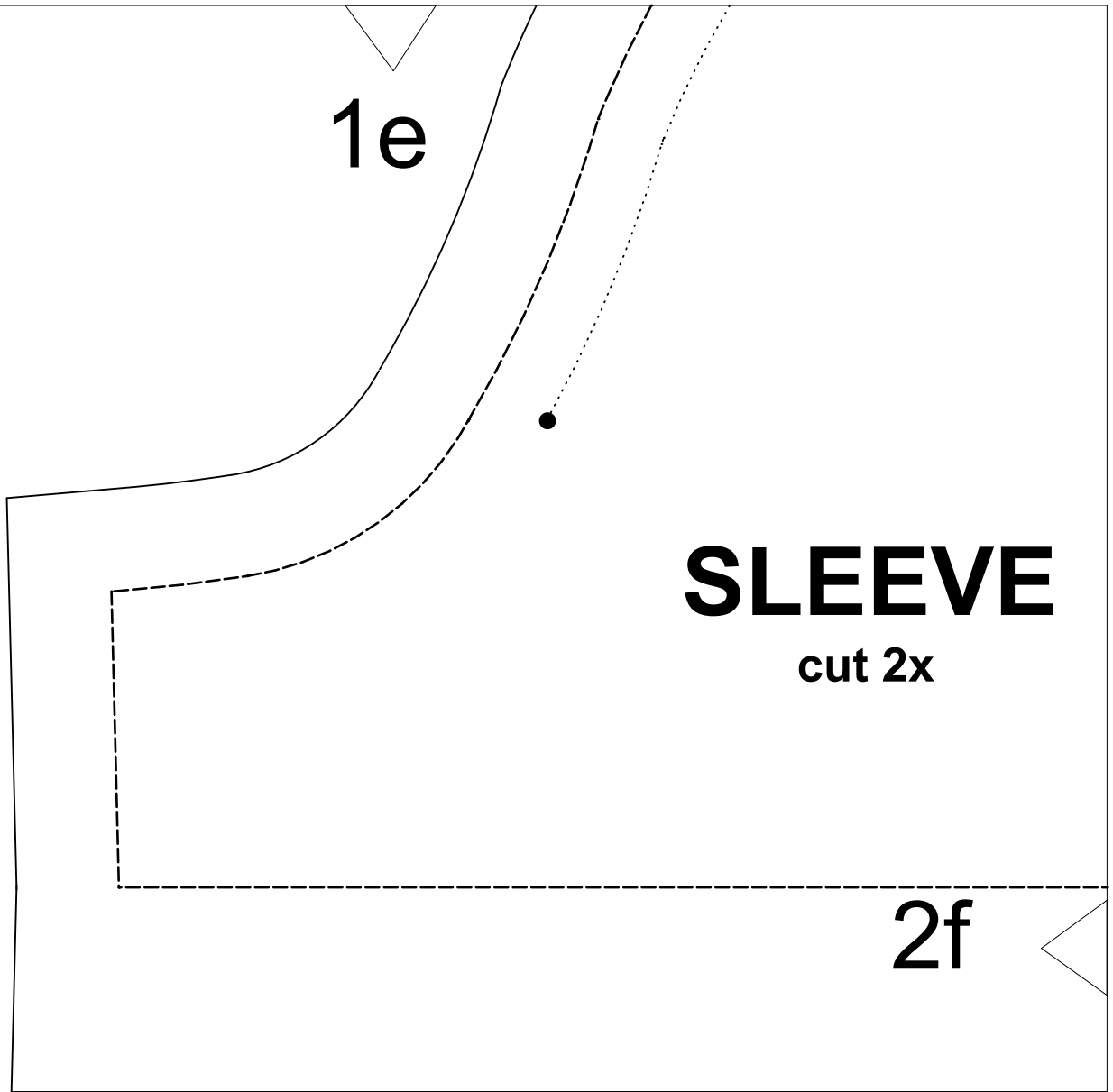
1e

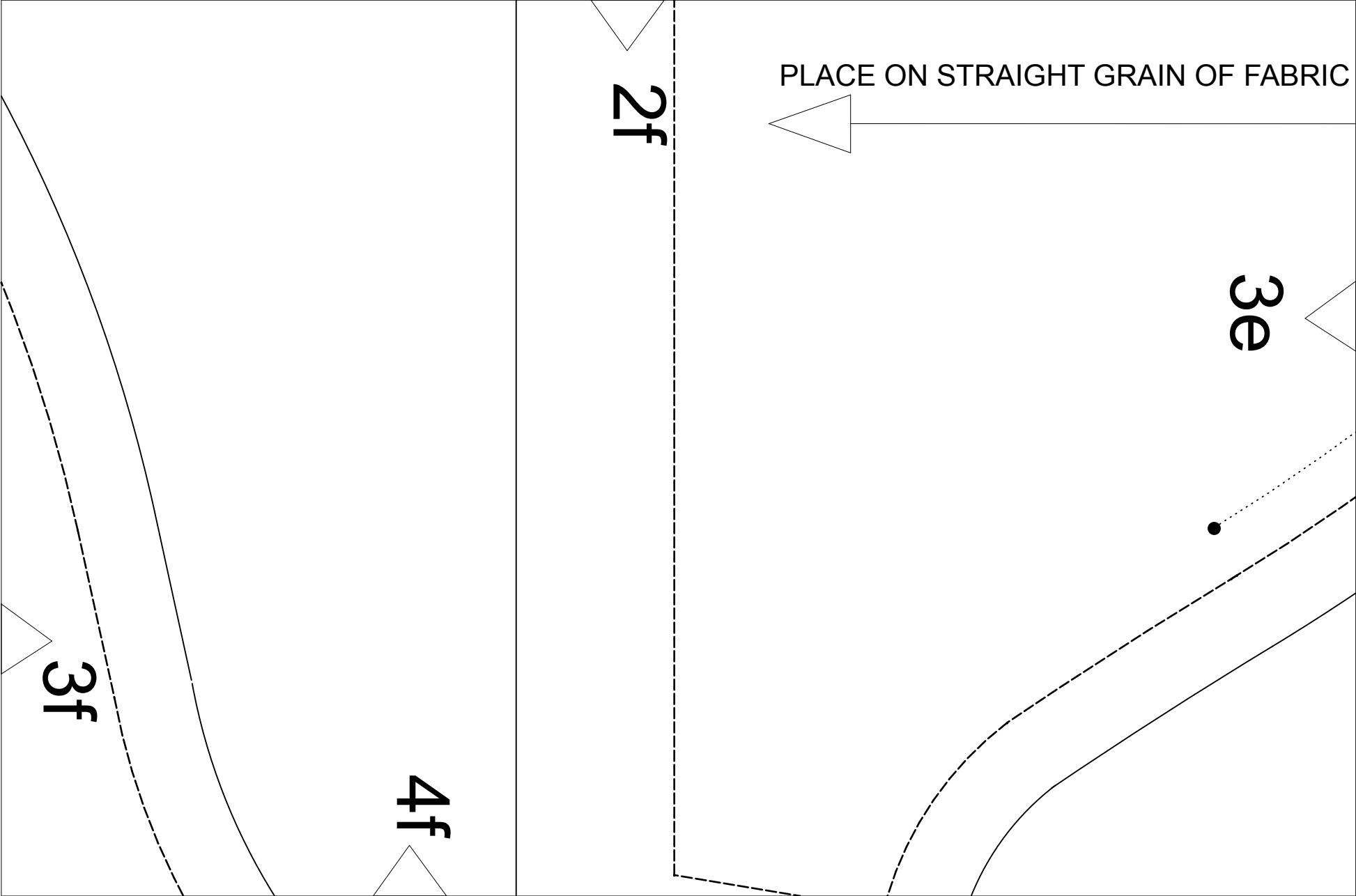
SLEEVE

cut 2x

2f

1f





5e

BACK FACING

cut 2x

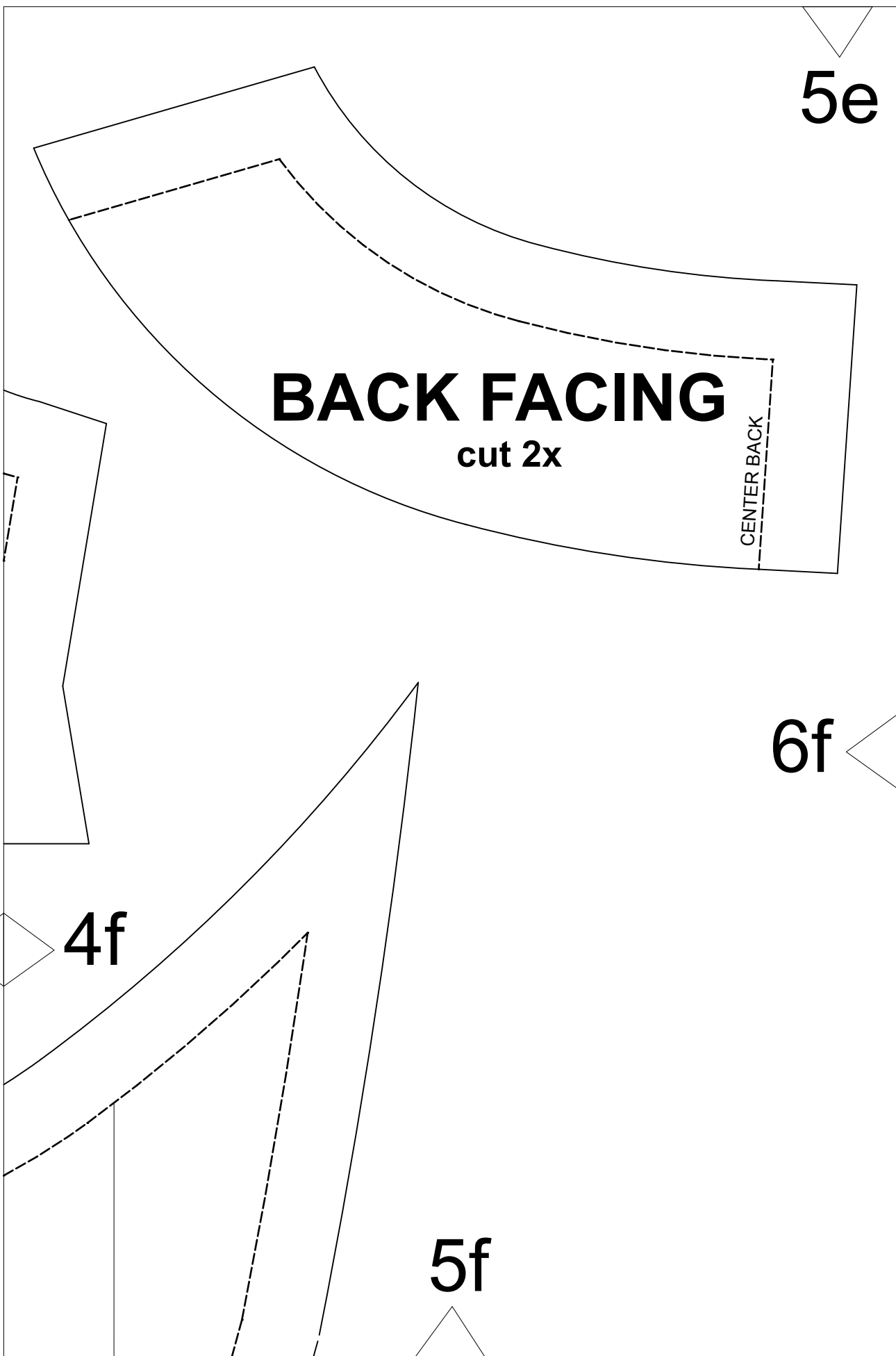
CENTER BACK

6f

4f

4f

5f



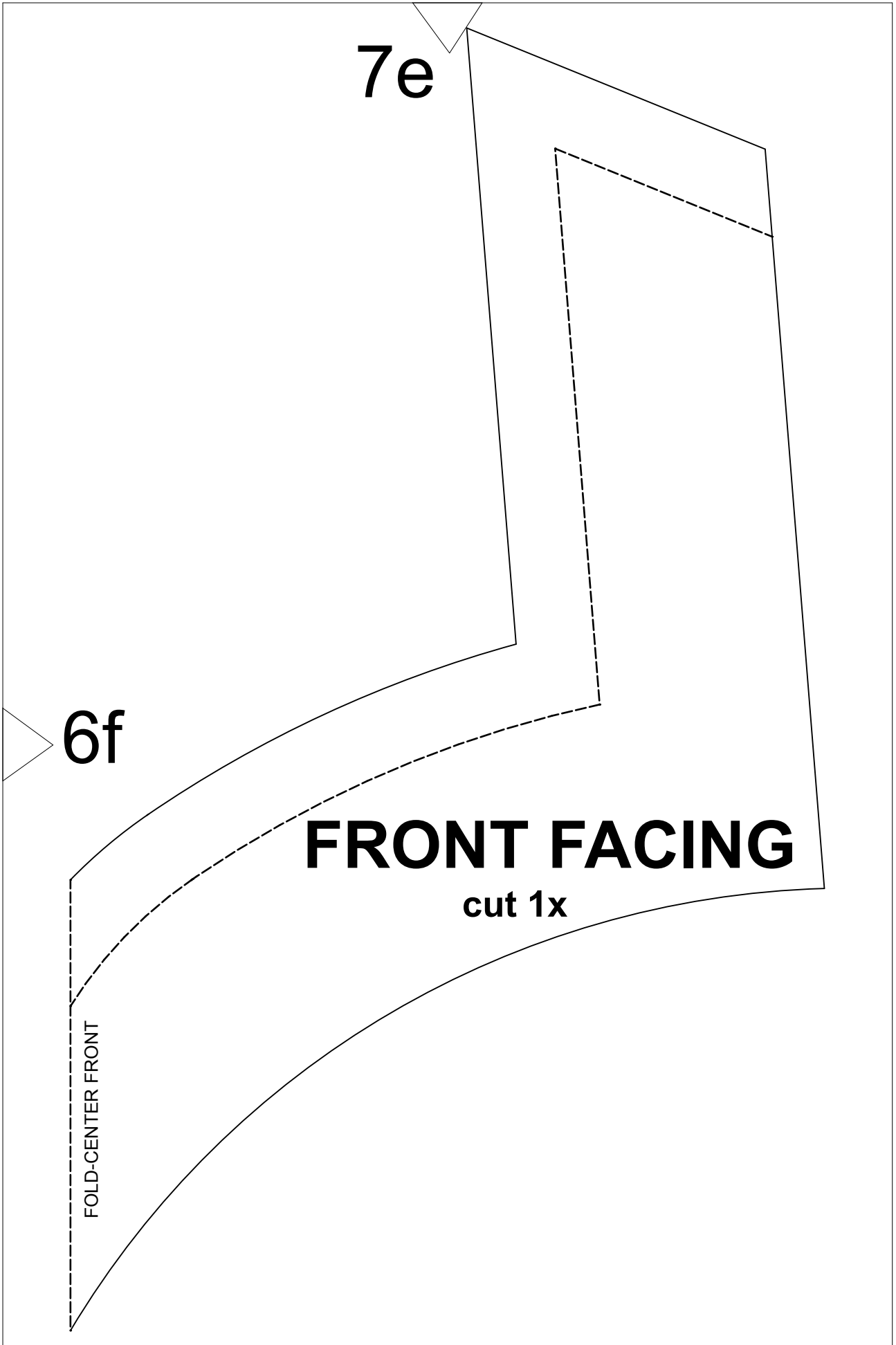
7e

6f

FRONT FACING

cut 1x

FOLD-CENTER FRONT



1f

2g

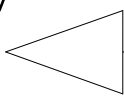
3f

BOW
cut 4x

2g

4g

4g



PLACE ON STRAIGHT GRAIN OF FABRIC

5f

