

### 101 Jacket

Burda sizes 36, 38, 40, 42, 44

Back length approx. 55 cm (22 ins)

### Materials

Broderie anglaise,  
width: 145 cm (57 ins)  
length: 1.45 – 1.45 – 1.50 – 1.55 – 1.5 (1 3/4 yds).

Lining,  
width: 140 cm (55 ins)  
length: 1.15 – 1.15 – 1.20 – 1.25 – 1.25 m  
(1 3/8 – 1 3/8 – 1 3/8 – 1 1/2 – 1 1/2 yds).

Interfacing.

1 button.

Shoulder pads.

A small piece of batting.

Recommended fabrics: Jacket fabrics.

### Preparations

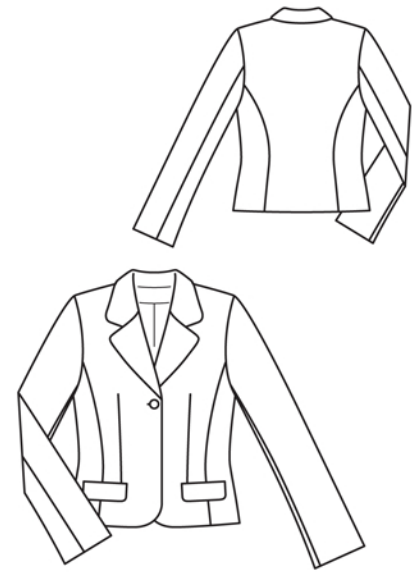
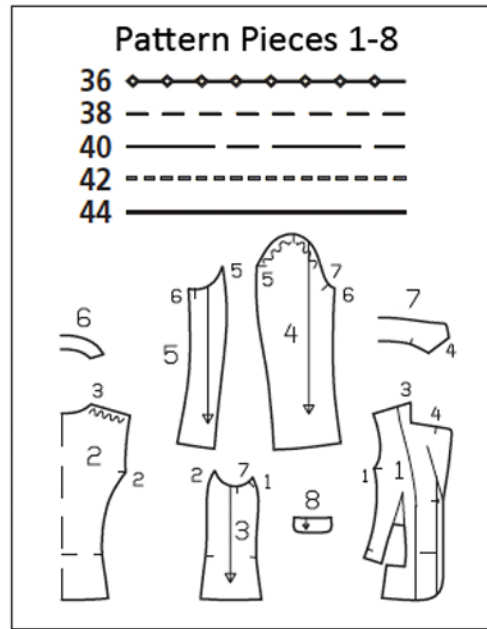
Print the pattern out on letter or A4 sized paper. It is **very important** to not scale the document. Your pattern will print on multiple pages, which you will then tile together. Arrange the sheets on a large, hard and flat surface matching up the numbers and letters (i.e. 6A to 6A). Cut or fold one of the sides and match the edge to its corresponding side. Then, tape down in place so paper is secure.

Trace the pattern pieces from the pattern sheet following the lines and markings for style 101 and your size. Trace the front facing from piece 1 as a separate pattern piece.

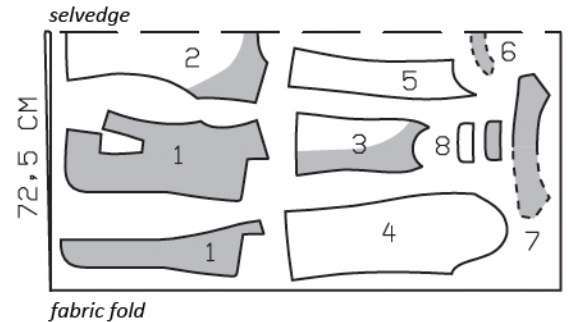
**burda style magazine patterns do not have seam allowance included.**

Seam and hem allowance to be added:

Seams and edges 1.5 cm (5/8 in), at dart 1 cm (3/8 in), hem and sleeve hems 4 cm (1 5/8 ins), lining 1.5 cm (5/8 in).



Cut from a double layer of fabric, right side facing in.



### Cutting Out

Broderie anglaise:

- 1 front 2x
- front facing 2x
- 2 back, on a fold 1x
- 3 side piece 2x
- 4 upper sleeve 2x
- 5 under sleeve 2x
- 6 back facing, on a fold 1x
- 7 collar, on a fold 2x
- 8 flap 4x

Lining: piece 1 minus width of facing; piece 2 minus width of facing and with an ease pleat of 2 cm (3/4 in) at centre back; pieces 3 to 5.

Interfacing: See shaded area on pattern layout. Also interface hem allowances.

## Sewing

Stitch bust darts. Clip diagonally into seam allowance at bottom of dart. Press darts open, pressing points of darts flat. Then stitch horizontal edges of fronts together, right sides facing. Press seam allowances open.

Stitch side pieces to front and back pieces. Stitch shoulder seams on jacket and on facing. Press seam allowances open.

Notched collar, front edges and hem: Pin facing right sides together with jacket. Build a little extra fullness into corners of lapels. Stitch facing along hem edges, front edges and lapel edges, up to marking, at hem edge leaving last 3 cm (1 1/4 ins) open, before facing ends. Leave facing lying right sides together with jacket for now. Stitch collar pieces together along outer edges, building a little extra fullness into top collar. Begin and end stitching at narrow edges, exactly on seam line of attachment edge. Turn collar right side out. Lay collar between jacket and facing. Stitch undercollar to jacket neck edge, from each marking to corner. Clip seam allowances of fronts into corners. Stitch lengthwise edge of undercollar to jacket neck edge. Stitch top collar to facing. Clip allowance of facing into corners. Press seam allowances of collar attachment seams open. Turn facing to inside. Press hem allowance to inside and sew in place by hand. Pin collar attachment seams together exactly. Turn back facing up and stitch seam allowances together, close to collar attachment seam. Turn facing down.

Stitch sleeve seams. Press sleeve hem allowances to inside and sew in place by hand.

Set in sleeves, easing sleeve caps. Sew shoulder pads in place. Lay strips of batting, approx. 4 cm (1 5/8 ins) wide, under sleeve caps and sew to seam allowances.

Flaps: Stitch each interfaced flap piece to flap piece with no interfacing, right sides together, leaving attachment edge open. Turn right side out. Trim allowances on attachment edges to 7 mm (1/4 in) and neaten. Mark attachment lines for flaps on front, 2.5 cm (1 in) above horizontal seam and continue on side piece. Attachment



line begins 1 cm (3/8 in) before dart – note flap length. Stitch flaps to fronts along attachment lines – flaps point up. Turn flaps down and press.

Construct lining: On lining back, stitch ease pleat at top and bottom, each approx. 5 cm (2 ins) long, and baste in between. Press pleat to one side. Stitch darts and seams of lining. Set in sleeve linings.

Sew lining in jacket: Stitch lining to inside facing edge, laying lower facing edges down. Lay lining inside jacket with wrong sides together, pulling linings into sleeves. Turn in lining along hem edge, press fold edge lightly, push upward in a shallow curve, and pin to hem allowance. Sew facings and lining in place. Lay extra length of lining down and press lightly. Above sleeve hems, pin a fold, approx. 1 cm (3/8 in) deep, in lining. Turn in sleeve lining and sew to hem allowance. Lay extra length down and press.

Work buttonhole in right front.

## Additional Information:

**Burda patterns do not include seam and hem allowances.** We recommend adding 1-2 cm (3/8 - 3/4 inch) for seams and 2-5 cm (3/4 - 2 inch/es) for hems. Refer to your specific pattern instructions for exact measurements.

The fabric requirements are based on the fabric used for the original designs. These amounts will change if you use fabric of a different width. The pattern of the fabric determines whether all the pieces must be cut in the same direction or whether some can be reversed to save fabric.

The cutting layout printed with the instructions shows the best way to place the pattern pieces on our original fabric. Fold the fabric double with the right side facing in. The fabric then has a fold edge and a selvedge edge. When cutting from a single fabric layer, the right side should face up.

Pattern pieces which are shown in the cutting layout with broken outlines should be pinned to the fabric with their printed side facing down.

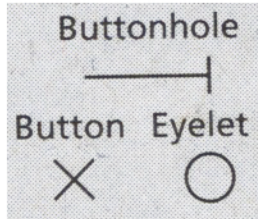
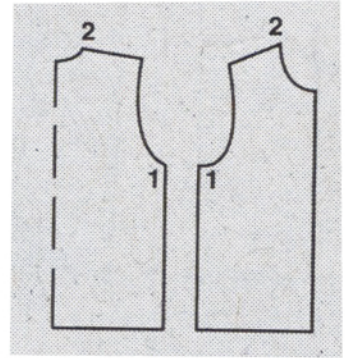
Grey shaded areas in the cutting layout indicate which pieces are to be interfaced.

Transfer the pattern piece lines to the wrong side of your fabric with burda dressmaker's carbon paper. Hand-baste along lines (e.g. for pockets or centre front) to make them visible on the right side of the fabric.

## Key Symbols:

### Seam numbers

show where pattern pieces must be sewn together. Match pieces with the same numbers.



### Seam marks

on long seams. Match the small symbols to one another.



**Presser foot** is the symbol for seam and top-stitching lines.



### Scissors

indicate edges to be cut without seam allowances and also slash lines, e.g. pocket openings.



### Pleat symbol

Fold pleat in direction of arrow.



### Placket/slit mark

Indicates beginning/ end of placket/slit.



**Gather**  
**Ease**  
**Stretch**

