

136 Dress

Burda sizes 36, 38, 40, 42, 44, p. 16

Length from waist 88 cm (34 3/4 ins)

3/4-sleeves, approx. 47 cm (18 1/2 ins) long

Materials

Georgette, for dress bodice and sleeves
width: 135 cm (53 ins)
length: 1.25 – 1.25 – 1.30–1.30–1.30m (1 1/2 yds).

Georgette with lengthwise tucks, for skirt
width: 95 cm (38 ins)
length: 1.40 m (1 5/8 yds) for all sizes.

Soft petersham ribbon, 1 cm (3/8 in) wide and 2.25 – 2.30 – 2.40 – 2.45 – 2.50 m (2 5/8 – 2 5/8 – 2 5/8 – 2 3/4 – 2 3/4 yds) long.

Soft petersham ribbon, 2.5 cm (1 in) wide and 3.20 – 3.30 – 3.40 – 3.50 – 3.70 m (3 1/2 – 3 5/8 – 3 3/4 – 3 7/8 – 4 1/8 yds).

Interfacing.

Recommended fabrics: Lightweight, softly draping dress fabrics.

Preparations

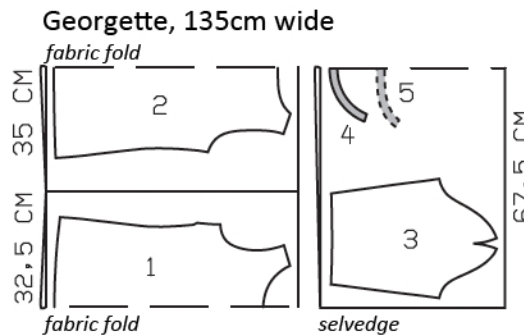
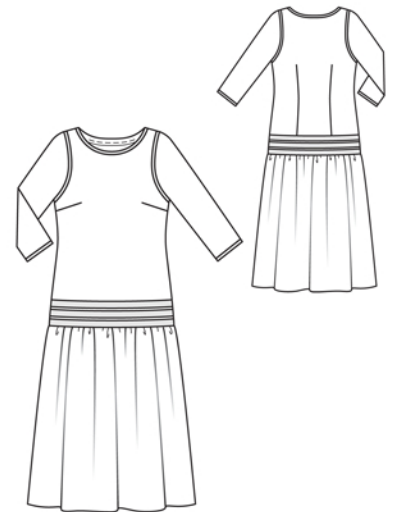
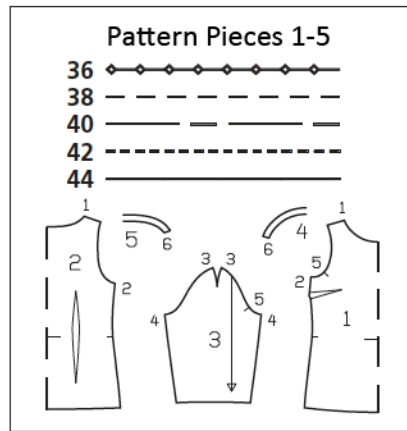
Print the pattern out on letter or A4 sized paper. It is **very** important to not scale the document. Your pattern will print on multiple pages, which you will then tile together. Arrange the sheets on a large, hard and flat surface matching up the numbers and letters (i.e. 6A to 6A). Cut or fold one of the sides and match the edge to its corresponding side. Then, tape down in place so paper is secure.

Trace the pattern pieces from the pattern sheet following the lines and markings for style 136 and your size.

burda style magazine patterns do not have seam allowance included.

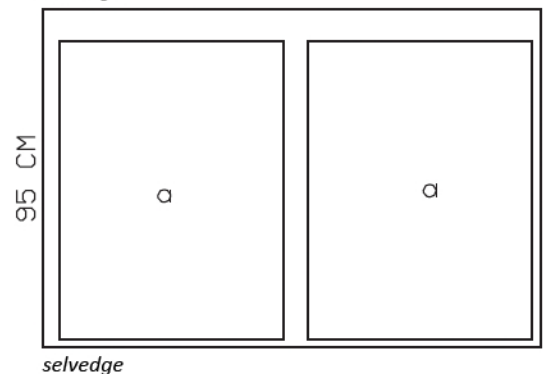
Seam and hem allowance to be added:

Seams and edges 1.5 cm (5/8 in), hem 4 cm (1 5/8 ins), sleeve hems 3 cm (1 1/4 ins).



Right side faces in on a double layer of fabric; right side faces up on a single layer of fabric.

Georgette with Tucks, 95cm wide



Cutting Out

Georgette:

- 1 front, on a fold 1x
- 2 back, on a fold 1x
- 3 sleeve 2x
- 4 front neck facing, on a fold 1x
- 5 back neck facing, on a fold 1x

Georgette with tucks:

Draft the following piece NOT included in the pattern:

- a) 2 skirt panels, 92 cm (36 1/4 ins) wide, 63 cm (24 ins) long.

Interfacing: See shaded area on pattern layout.

Sewing

Stitch bust darts. Press darts down. Stitch back darts and press toward centre back.

Stitch shoulder seams on bodice and on facing. Neaten seam allowances together and press onto back.

Stitch facing to neck edge, right sides together. Trim seam allowances. Turn facing to inside and press edge. Cut 59 – 61 – 62 – 63 – 65 cm (23 1/4 – 24 – 24 1/2 – 24 3/4 – 25 3/4 ins) of narrow petersham ribbon for neck edge. Press ribbon to match shape of neck edge. Pin ribbon to front and back along neck edge, beginning at one shoulder seam and turning ribbon end under. Edgestitch ribbon in place.

Stitch darts in sleeve caps. Press darts toward back. Stitch sleeves to armhole edges.

Cut two pieces of narrow petersham ribbon, each 52 – 53.5 – 55.5 – 57 – 59 cm (20 1/2 – 21 1/8 – 22 – 22 1/2 – 23 1/4 ins) long, for armholes. Press ribbon match to shape of armholes. Pin ribbon to front and back, along sleeve attachment seams.

On bodice, stitch side seams and sleeve seams as continuous seams.

Turn sleeve hem allowances to inside, turn edges under to a hem width of 1.5 cm (5/8 in), and baste. Pin ribbon to lower sleeve edges. Edgestitch ribbon in place.

Stitch side seams of skirt. Gather upper skirt edge to match bodice. Stitch skirt to bodice. Press seam allowances up. Cut petersham ribbon into 3 pieces of equal length. Pin pieces of ribbon to front and back, along skirt attachment seam, then twice more above seam, spaced 3 mm (1/8 in) apart. Begin at one side seam and turn ribbon ends under. Edgestitch ribbon in place.

Press hem allowance to inside and sew in place by hand.

