

127 Top

Burda sizes 34, 36, 38, 40, 42

Back length approx. 67 cm (26 1/2 ins)

Sleeves approx. 3 cm (1 1/4 ins) longer than normal

Materials

Silk jersey,

width: 135 cm (53 ins)

length: 1.50 m (1 3/4 yds) for all sizes.

A twin sewing machine needle.

Recommended fabrics: Fine jersey. Use stretch jersey fabrics only.

Preparations

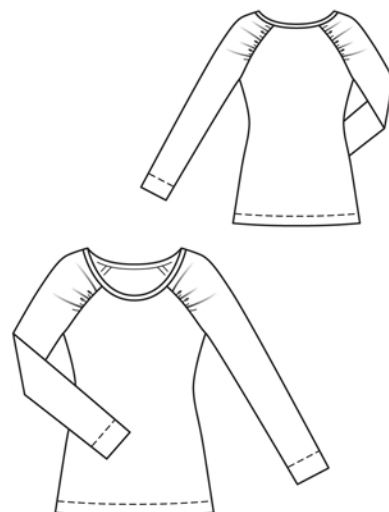
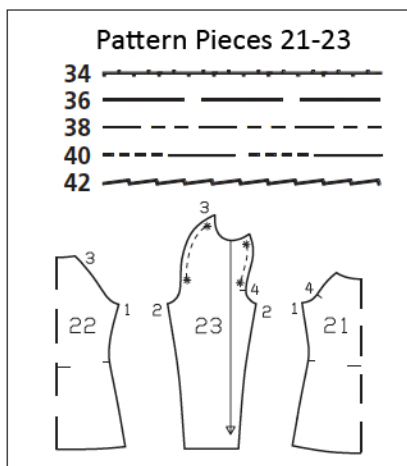
Print the pattern out on letter or A4 sized paper. It is **very** important to not scale the document. Your pattern will print on multiple pages, which you will then tile together. Arrange the sheets on a large, hard and flat surface matching up the numbers and letters (i.e. 6A to 6A). Cut or fold one of the sides and match the edge to its corresponding side. Then, tape down in place so paper is secure.

Trace the pattern pieces from the pattern sheet following the lines and markings for style 127 and your size. The asterisks for gathering on piece 23 are marked for size 34 only. For the other sizes, remark the asterisks according to the size lines. Make top mark 1 cm (3/8 in) below neck edge. Bottom mark is the same for all sizes. Seam and hem allowances:

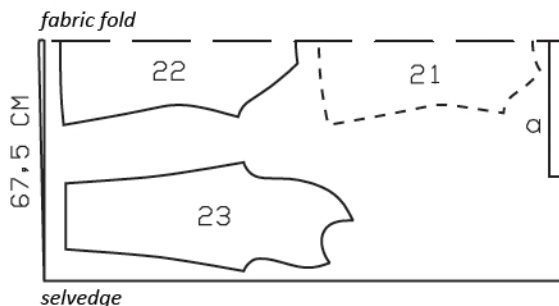
burda style magazine patterns do not have seam allowance included.

Seam and hem allowance to be added:

Seams and edges 1.5 cm (5/8 in), hem 4 cm (1 5/8 ins), sleeve hems 7 cm (2 3/4 ins) (flare sleeve hem allowance).



Cut from a double layer of fabric, right side facing in.



Cutting Out

21 front, on a fold 1x
22 back, on a fold 1x
23 sleeve 2x

Draft the following piece NOT included in the pattern:

a) binding strip for neck edge, 70 – 71 – 73 – 74 – 75 cm (27 3/4 – 28 – 28 3/4 – 29 1/4 – 29 3/4 ins) long, 4 cm (1 5/8 ins) wide (incl. allowances).

Sewing

Note: Stitch seams on stretch fabrics with a special stretch stitch or at a narrow zigzag setting. Stitch hems with a twin machine needle to keep them elastic.

Stitch side seams (seam number 1). Trim seam allowances to 7 mm (1/4 in) wide, neaten edges together and press onto back.

Stitch sleeve seams. Press sleeve hem allowances to inside, turn in and baste. Stitch hems from the right side with the twin machine needle.

Gather attachment edges of sleeves between asterisks. Stitch sleeves to front and back, beginning and ending stitching exactly at marked neck edge. Press seam allowances onto front and back, from neck edge to beginning of underarm curve.

Bind neck edge: Trim away seam allowance on neck edge. Fold binding strip in half lengthwise, right side out, and press. Unfold strip out flat again. Now turn each long edge of strip in to the pressed fold and press again. Unfold pressed binding strip. Sew ends of strip together to match neck edge. Press seam allowances open. Pin binding strip to inside of neck edge and stitch in place 1 cm (3/8 in) from edge, along the fold. Turn binding out over edge, turn inside edge under, and baste. Edgestitch binding in place.

Press hem allowance to inside. Stitch hem from right side, 6 cm (2 3/8 ins) above lower edge, using the twin needle.



Additional Information:

Burda patterns do not include seam and hem allowances. We recommend adding 1-2 cm (3/8 - 3/4 inch) for seams and 2-5 cm (3/4 - 2 inch/es) for hems. Refer to your specific pattern instructions for exact measurements.

The fabric requirements are based on the fabric used for the original designs. These amounts will change if you use fabric of a different width. The pattern of the fabric determines whether all the pieces must be cut in the same direction or whether some can be reversed to save fabric.

The cutting layout printed with the instructions shows the best way to place the pattern pieces on our original fabric. Fold the fabric double with the right side facing in. The fabric then has a fold edge and a selvedge edge. When cutting from a single fabric layer, the right side should face up.

Pattern pieces which are shown in the cutting layout with broken outlines should be pinned to the fabric with their printed side facing down.

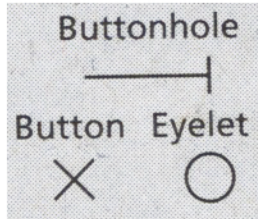
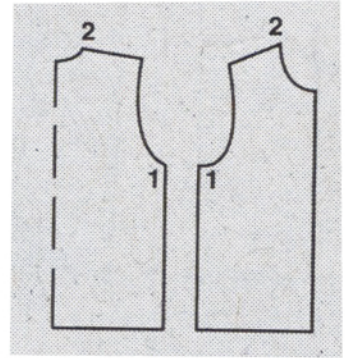
Grey shaded areas in the cutting layout indicate which pieces are to be interfaced.

Transfer the pattern piece lines to the wrong side of your fabric with burda dressmaker's carbon paper. Hand-baste along lines (e.g. for pockets or centre front) to make them visible on the right side of the fabric.

Key Symbols:

Seam numbers

show where pattern pieces must be sewn together. Match pieces with the same numbers.



Seam marks

on long seams. Match the small symbols to one another.



Presser foot is the symbol for seam and top-stitching lines.



Scissors

indicate edges to be cut without seam allowances and also slash lines, e. g. pocket openings.



Pleat symbol

Fold pleat in direction of arrow.



Placket/slit mark

Indicates beginning/ end of placket/slit.



Gather
Ease
Stretch

