

109 Top

Burda sizes 36, 38, 40, 42, 44

Back length approx. 70 cm (28 ins)

Materials

Cotton jersey,
width: 150 cm (59 ins)
length: 1.60 – 1.60 – 1.60 – 1.65 – 1.65 m
(1 3/4 – 1 3/4 – 1 3/4 – 1 7/8 – 1 7/8 yds).

Silk satin, as contrasting fabric,
width: 140 cm (55 ins)
length: 0.80 m (7/8 yd).

Elastic, 1.5 cm (5/8 in) wide and 0.65 – 0.70 –
0.75 – 0.80 – 0.85 m (7/8 – 7/8 – 7/8 – 7/8 – 1
yd) long.

Vilene Bias Tape/ stay tape.

A twin sewing machine needle.
Magic chalk.

Recommended fabrics: Jersey fabrics or sweat-
shirt fabrics. Satin as contrasting fabric.

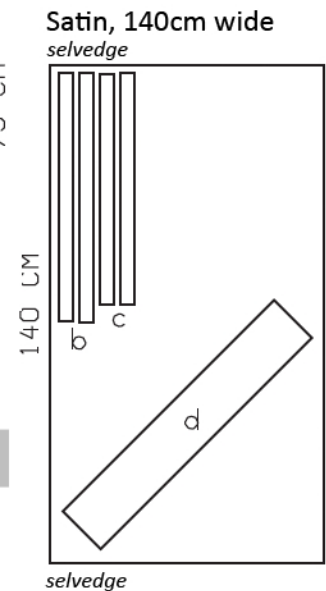
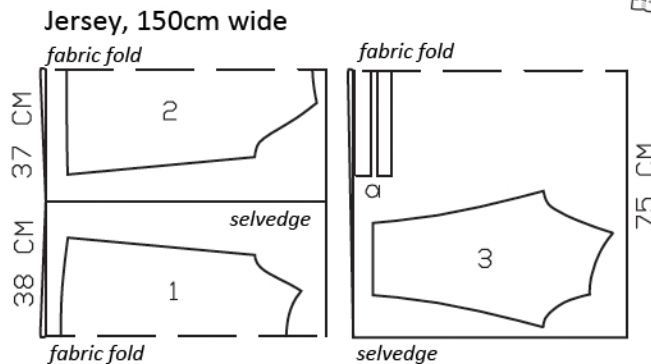
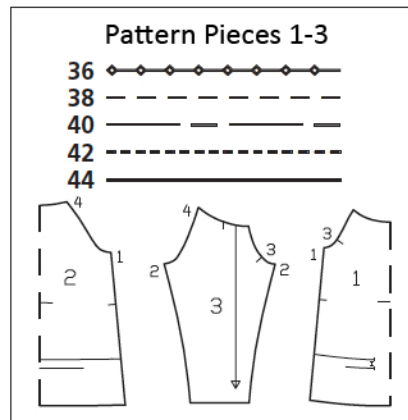
Preparations

Print the pattern out on letter or A4 sized paper.
It is **very important** to not scale the document.
Your pattern will print on multiple pages, which
you will then tile together. Arrange the sheets on
a large, hard and flat surface matching up the
numbers and letters (i.e. 6A to 6A). Cut or fold
one of the sides and match the edge to it's cor-
responding side. Then, tape down in place so paper
is secure.

Trace the pattern pieces from the pattern sheet
following the lines and markings for style 109 and
your size.

**burda style magazine patterns do not have seam
allowance included.**

Seam and hem allowance to be added:
Seams and edges 1.5 cm (5/8 in), hem 4 cm (1
5/8 ins), sleeve hems 5 cm (2 ins) (flare sleeve
hem allowance).



Fold the fabric as shown in the pattern layout.
Right side faces in on a double layer of fabric;
right side faces up on a single layer.

Cutting Out

Jersey:

- 1 front, on a fold 1x
- 2 back, on a fold 1x
- 3 sleeve 2x

Draft the following pieces NOT included in the pattern:

a) facing strip for casing, a total of 102 – 106 – 110 – 114 – 118 cm (40 1/4 – 41 3/4 – 43 1/2 – 45 – 46 1/2 ins) long, 4 cm (1 5/8 ins) wide (incl. allowances).

Satin:

- b) drawstring (neck band), a total of 140 cm (55 ins) long, 4 cm (1 5/8 ins) wide (incl. allowances),
- c) 2 drawstrings (hip casing) 65 cm (25 3/4 ins) long, 4 cm (1 5/8 ins) wide (incl. allowances),
- d) neck band, cut on bias, 84 – 85 – 87 – 88 – 89 cm (33 – 33 1/2 – 34 1/4 – 34 3/4 – 35 ins) long, 15 cm (6 ins) wide, finished width 7.5 cm (3 ins).

Vilene Bias Tape/ stay tape: Iron to wrong sides of front and back neck and armhole edges and of upper sleeve edges.

Sewing

Stitch side seams and sleeve seams. Press seam allowances open. Stitch sleeves to armhole edges. Press seam allowances onto front and back, from each upper edge to beginning of underarm curve.

Neck band: Stitch narrow edges of neck band together (= centre back seam). Press seam allowances open. Mark centre front opposite the seam. Fold band in half lengthwise, wrong side facing in, and press. Unfold band again. Use vanishing chalk to mark a 3 cm (1 1/4 in) wide casing on outer band half, 1.5 cm (5/8 in) below fold edge, beginning and ending 5 cm (2 ins) from centre front. At beginning and end of casing, work one vertical buttonhole, for the drawstring. Before doing this, baste pieces of interfaced fabric to wrong side, as reinforcement. Fold band in half again. Topstitch band as marked, to form casing. Neaten lower band edges together. On front, sleeves, and back, press allowance on neck edge to inside. Pin neck edge to allowance on lower band edge, matching centre front and back. Topstitch 7 mm (1/4 in) from neck edge.

For drawstring of hip casing, work buttonhole slits on front, as marked, catching pieces of fabric on wrong side. On facing strip for casing, finish all edges. Pin facing strip to wrong side of front and back, over marked casing lines. Work from the outer side of the garment to stitch the facing strip in place, as marked.

Turn hem allowances to inside. Stitch from right side with the twin machine needle – 3 cm (1 1/4 ins) from lower edge of top and 4 cm (1 5/8 ins) from lower edges of sleeves.

Turn ends of each drawstring piece under. Fold bands lengthwise, right side facing in. Stitch 1 cm (3/8 in) from fold edges. Turn drawstrings right side out and press. Sew ends closed. Stitch drawstrings for hip casing to ends of elastic. Pull drawstrings into corresponding casings.

