

127 Coat

Burda sizes 44, 46, 48, 50, 52

Back length approx. 107 cm (42 ins)

Materials

Wool fabric with a brushed surface,
width: 150 cm (59 ins)
length: 2.35 – 2.40 – 2.45 – 2.80 – 2.80 m
(2 5/8 – 2 5/8 – 2 3/4 – 3 1/8 – 3 1/8 yds).

A piece of lining, approx. 30 x 40 cm (12 x 16 ins), for the pocket pieces.

Recommended fabrics: Lightweight coat fabrics of wool or blends. Use only non-fraying fabrics with two "good" sides.

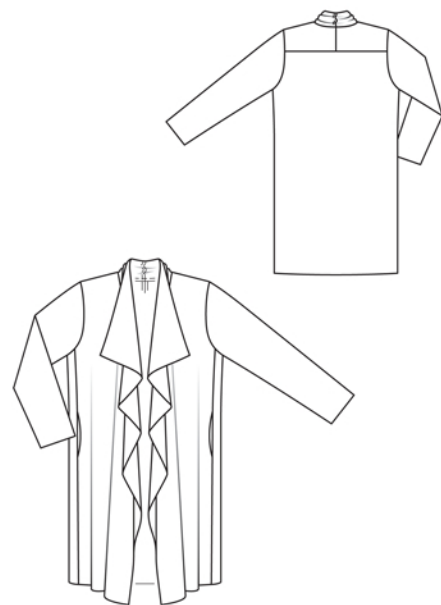
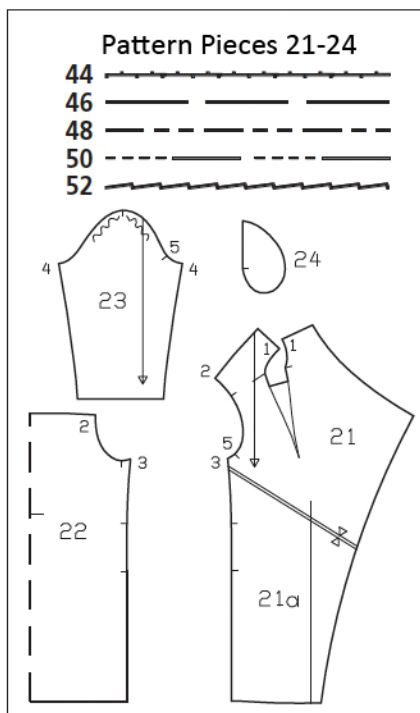
Preparations

Print the pattern out on letter or A4 sized paper. It is **very important** to not scale the document. Your pattern will print on multiple pages, which you will then tile together. Arrange the sheets on a large, hard and flat surface matching up the numbers and letters (i.e. 6A to 6A). Cut or fold one of the sides and match the edge to its corresponding side. Then, tape down in place so paper is secure.

Trace the pattern pieces from the pattern sheet. Follow the lines and details for style 127.

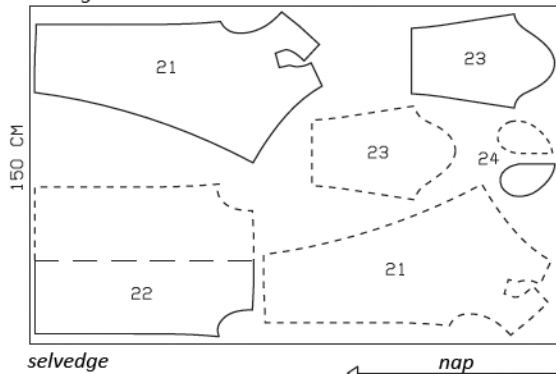
burda style magazine patterns do not have seam allowance included.

Seam and hem allowance to be added:
Collar attachment seam for size 44, 5 mm (3/16 in), for other sizes 7 mm (1/4 in); centre back seam (yoke and collar) 7 mm (1/4 in); all other seams 1.5 cm (5/8 in); sleeve hems 4 cm (1 5/8 ins) (flare sleeve hem allowance). No allowances on hem edges, front edges, or outer collar edges.



Size 44-48

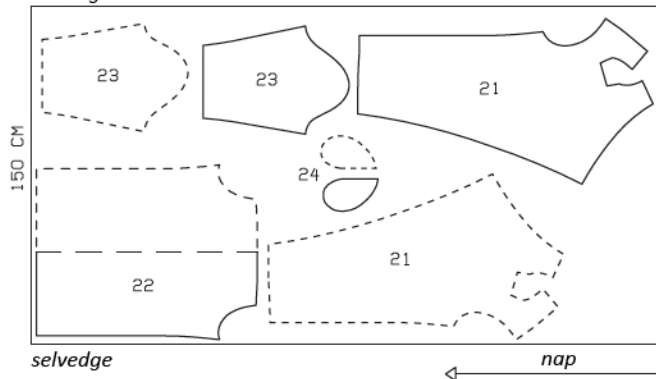
selvedge



Cut from a single layer of fabric, right side facing up.
Cut right and left pieces as opposites. Note direction of nap.

Size 50,52

selvedge



Cutting Out

Wool fabric:

21 front with back yoke
and collar 2x

22 back, on a fold 1x

23 sleeve 2x

24 pocket piece 2x

Lining: pocket piece 2x.

Sewing

Note: The outer edges and hem edge of this coat are left unfinished. If you prefer, the edges can be finished with zigzag stitch or overlock stitch.

Stitch center seam of back yoke. Press seam allowances open. Stitch centre back seam of integrated collar pieces. Press seam allowances to one side and stitch in place. Beginning at centre back, stitch collar to neck edge, right sides facing, then continue stitching along dart. Trim dart allowances. Press allowances of collar attachment seam toward back yoke. Press dart allowances toward the side and stitch in place, tapering stitching toward points of darts.

Stitch back yoke to back. Stitch side seams from seam number 3, not stitching across pocket openings. Trim bottom ends of seam allowances at angles. Press seams open.

Inseam pockets: Pin pocket pieces to seam allowances of pocket opening edges, right sides facing – pocket lining pieces on front and fabric pocket pieces on back. Stitch fabric pocket pieces in place, directly along marked seam lines. Stitch lining pieces to seam allowances, 5 mm (3/16 in) from seam lines. Press pocket pieces forward, trim even, and stitch together.

Stitch sleeve seams. Press sleeve hem allowances to inside and sew in place by hand.

Set in sleeves, easing sleeve caps and matching sleeve seam to seam mark on back.

