

122A Trousers

Burda sizes 36, 38, 40, 42, 44

Side length 98 cm (38 3/4 ins),

Waistband edge is 1.5 cm below waist

Hem circumference 37 cm (14 1/2 ins)

Materials

Jacquard, with widthwise print (pattern repeat 25 cm / 10 ins),

width: 150 cm (59 ins)

length: 1.15 – 1.15 – 1.15 – 1.40 – 1.40 m

(1 3/8 – 1 3/8 – 1 3/8 – 1 5/8 – 1 5/8 yds).

Interfacing.

1 invisible zip, 22 cm (9 ins) long.

Recommended fabrics: Lightweight trouser fabrics with some body.

Preparations

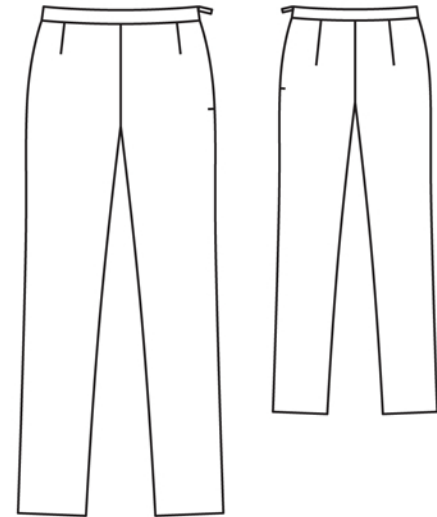
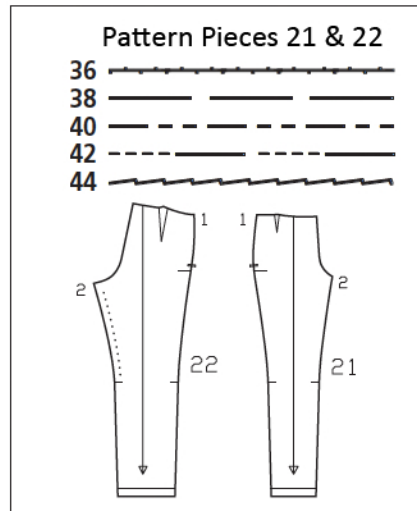
Print the pattern out on letter or A4 sized paper. It is very important to not scale the document. Your pattern will print on multiple pages, which you will then tile together. Arrange the sheets on a large, hard and flat surface matching up the numbers and letters (i.e. 6A to 6A). Cut or fold one of the sides and match the edge to its corresponding side. Then, tape down in place so paper is secure.

Trace pieces from pattern sheet. Follow lines and details for view A.

burda style magazine patterns do not have seam allowance included.

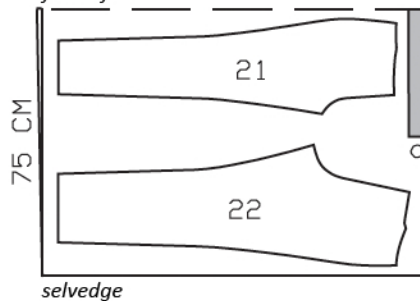
Seam and hem allowance to be added:

Seams and edges 1.5 cm (5/8 in), hem 4 cm (1 5/8 ins).



Sizes 36-40

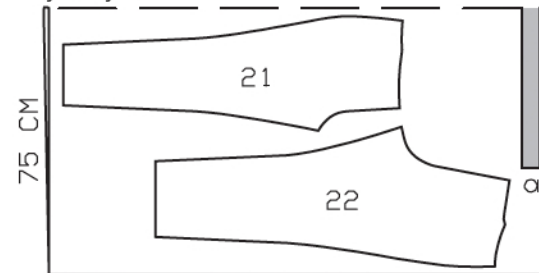
fabric fold



selvedge

Sizes 42, 44

fabric fold



selvedge

Cut from a double layer of fabric, right side facing in. Make sure that stripe markings lie on same part of fabric print.

Cutting Out

21 front trouser piece 2x

22 back trouser piece 2x

Draft the following piece NOT included in the pattern:

a) waistband, 72.5 – 76.5 – 80.5 – 84.5 – 88.5 cm (28 5/8 – 30 1/4 – 31 3/4 – 33 1/4 – 34 7/8 ins) long, 5 cm (2 ins) wide, finished width 2.5 cm (1 in).

Interfacing: See shaded area on pattern layout.

Sewing

Stretch seam edges: Lay back trouser pieces right sides together. Press inside leg edges above seam mark, with a steam-iron or under a damp cloth, until they match length of trouser front above seam mark.

Stitch darts in front and back trouser pieces. Press darts toward centre front or back.

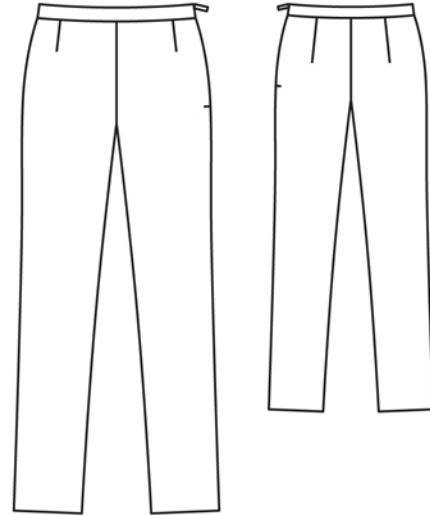
Stitch right side seam and inside leg seams. Press seam allowances open. Stitch front and back centre seam as continuous seam. Press allowances of centre seam open, from upper edges to beginnings of crotch curve. Do not press seam allowances flat along curve.

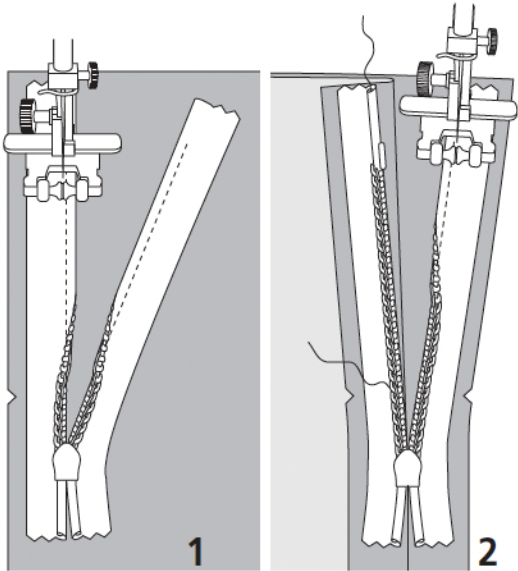
Fold waistband in half lengthwise, with wrong side facing in. Press upper waistband edge. Unfold waistband again. Stitch waistband to upper trousers edge. Press allowances of attachment seam onto waistband.

Sew invisible zip to left edges of waistband (outer waistband half) and trousers, see the "Helpful Hint" on next page. Stitch left side seam from lower edge to zip.

Fold waistband to inside again and sew to zip tapes. Work from right side to stitch along waistband attachment seam, catching inner waistband edge.

Press hem allowances to inside and sew in place by hand.





These special zippers come in various lengths. The zipper should be at least 2 cm (3/4 in) longer than the slit. It is sewn in place before the seam below the slit is stitched. A special presser foot is required to sew the zipper in place.

Sewing the zipper in place:

Open the zipper and push the coil back with your thumbnail to reveal the seam marking between the tape and the coil. Place the open zipper right side down on the right fabric side of one slit edge.

In order to stitch the zipper in place exactly along the marked seam line, you must first calculate the distance between the tape edge and the fabric edge as follows: width of seam allowance minus 1 cm (3/8 in) tape width = distance from edge of fabric. This will yield a value of 5 mm (3/16 in) if the width of the seam allowance is 1.5 cm (5/8 in).

Pin the top end of the zipper tape in place, the calculated distance from the edge of the fabric. The bottom end of the zipper will extend past the marked end of the slit. Place the presser foot on the zipper so that the coil is in the notch to the right of the needle (1). Stitch zipper in place, from the top to the marked end of the slit. Close zipper.

Place the other zipper tape face down on the opposite slit edge and pin in place at the top. Open zipper again. Place the presser foot on the top end of the zipper so that the coil is in the notch to the left of the needle (2). Sew the zipper in place, from the top to the end of the slit. Close zipper.

Now stitch the seam below the zipper, from bottom to top. Turn the loose lower end of the zipper out of the way, over the seam allowance. Stitch as close as possible to the last stitches of the zipper seams. Trim away excess zipper and bind the end with a scrap of fabric.