

103 Coat

Burda sizes **72, 76, 80, 84, 88**

Back length approx. 130 cm (51 ins)

Materials

Wool jacquard with lengthwise borders, for the outside,
width: 130 cm (51 ins)
length: 3.80 – 3.80 – 3.85 – 3.90 – 3.90 m (4 1/4 yds).

Wool velours, for the inside,
width: 150 cm (59 ins)
length: 3.20 – 3.25 – 3.30 – 3.35 – 3.40 m
(3 1/2 – 3 5/8 – 3 5/8 – 3 3/4 – 3 3/4 yds).

A piece of lining, approx. 40 x 20 cm (16 x 8 ins).

Interfacing.

Recommended fabrics: Coat fabrics of wool or blends.

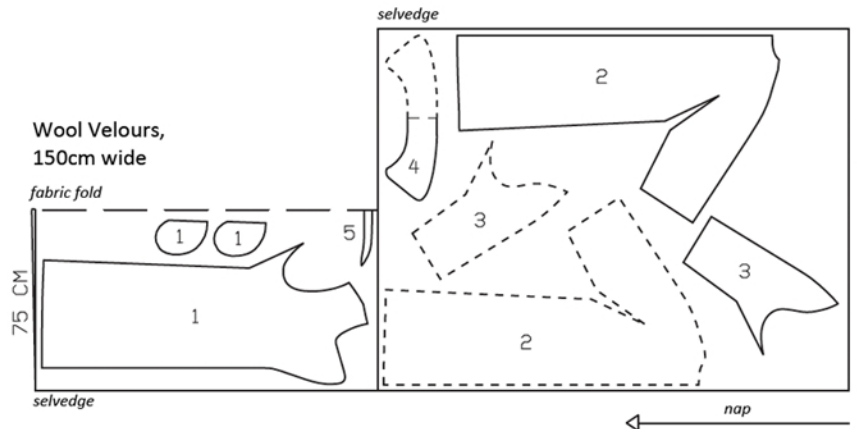
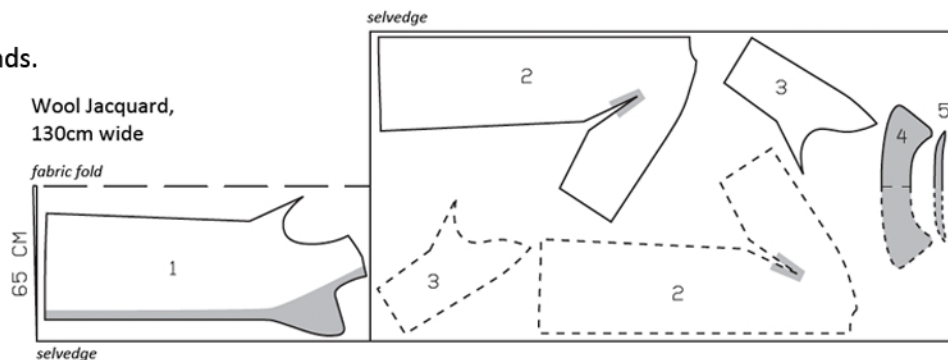
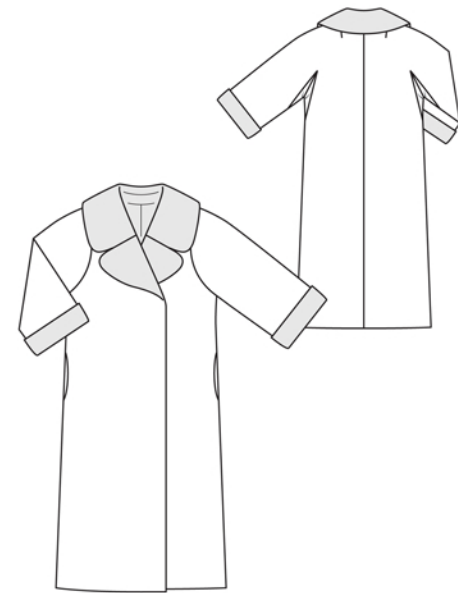
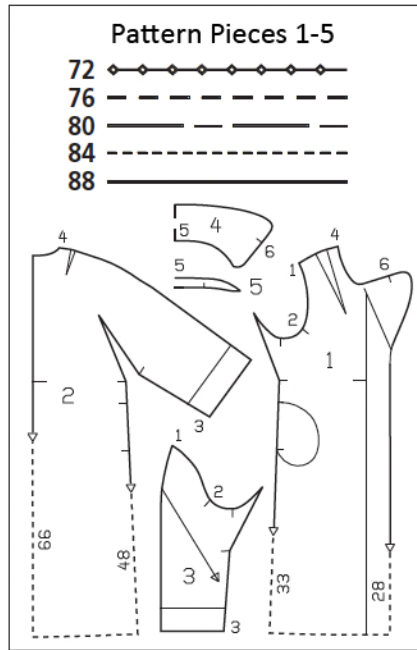
Preparations

Print the pattern out on letter or A4 sized paper. It is **very important** to not scale or fit any of the pages, you must print the document in **actual size**. Your pattern will print on multiple pages, which you will then tile together. Arrange the sheets on a large, hard and flat surface matching up the numbers and letters (i.e. 6A to 6A). Cut or fold one of the sides and match the edge to it's corresponding side. Then, tape down in place so paper is secure.

Trace the pattern pieces from the pattern sheet following the lines and markings for your size. Trace the pocket piece from piece 1 as a separate pattern piece – it is the same for all sizes.

burda style magazine patterns do not have seam allowance included.

Seam and hem allowance to be added:
Seams and edges 1.5 cm (5/8 in), collar attachment seam 1 cm (3/8 in).



Fold the fabric as shown in the pattern layout. Right side faces in on a double layer of fabric; right side faces up on a single layer of fabric. Cut right and left pieces as opposites. Note direction of nap on velours.

Cutting Out

Jacquard (outside):

- 1 front 2x
- 2 back with integrated sleeve 2x
- 3 sleeve front 2x
- 4 under collar, on a fold 1x
- 5 outer collar stand, on a fold 1x

Velours (inside):

- 1 front 2x
 - pocket piece 4x
- 2 back with integrated sleeve 2x
- 3 sleeve front 2x
- 4 top collar, on a fold 1x
- 5 inside collar stand, on a fold 1x

Lining:

- 4 rectangular facing pieces, each 20 x 10 cm (8 x 4 ins).

Interfacing: See shaded area on cutting layout.

Sewing

Outer side:

Stitch the centre back seam and the back darts. Press the centre seam allowances open and press the darts toward centre. Stitch the front darts. Cut darts open along centres and press open, pressing the points of the darts flat.

Lay the rectangular facing pieces of lining fabric over points where seam lines between back and integrated sleeves meet and pin in place so that they extend past pointed ends by 2 cm (3/4 in). Stitch along seam lines which form the point. Trim facing pieces 2 cm (3/4 in) from seams. Clip fabric and lining between seams, clipping close to stitching at the point. Turn facing pieces to inside. At lower seam press facing piece up and at upper seam, press down.

Stitch sleeve fronts to the fronts (seam number 1). Press seam allowances open, from upper edge to beginning of curve. At pointed bottom seam end, trim the seam allowances to 7 mm (1/4 in) wide, approx. 10 cm (4 ins) long, and press open. Do not press seam allowances flat along the underarm curve.

Stitch the sleeve fronts to the integrated sleeve backs, from seam number 3 to seam mark, right sides facing. Clip the seam allowances of the sleeve fronts at the seam mark. Then stitch the sleeves to the back, from seam mark to top point (stitch last section directly along attachment seam of facing rectangle). Lay the fronts on the back, right sides facing. Begin at top point to stitch front to back, clipping seam allowance of front at seam mark. Do not stitch across pocket opening. Press the seam allowances open.

Stitch the shoulder seams (seam number 4) and top sleeve seams as continuous seams. Press the seam allowances open.

Stitch the outer collar stand to the under collar piece. Trim the seam allowances and press open. Topstitch close to each side of seam. Stitch the under collar to neck edge, from seam number 6. Trim the seam allowances and clip the curves several times. Press the seam allowances open.

Inseam pockets: Pin pocket pieces to seam allowances of pocket opening edges, right sides facing, and stitch in place, directly along the marked seam lines. Press the pocket pieces forward and stitch together.

Inner side:

Sew as described for outer side of coat, but leave an opening, approx. 30 cm (12 ins) long, in the centre of one side seam, for turning. Omit inseam pockets.

Sew outer and inner sides together: Lay the outer and inner units together, right sides facing. Pin lapel fold lines together. Lay the top collar on the under collar. Pin the collar attachment seams together. Roll the collar and lapels and pin together. Stitch along the hem edges, front edges, and lapel edges, up to seam marks, not catching allowances of collar. Then stitch along the collar edges, not catching allowances of lapel edges.

Turn the coat right side out through the opening in the side seam. Press the edges. Pin the collar attachment seams together. Reach into the coat through the opening in the side seam to grasp seam allowances of collar attachment seam and pull them out. Stitch the seam allowances together, as far as possible, close to collar attachment seam. Push the collar attachment seam back in place again.

At one seam, turn lower sleeve edges under and hold in place with a single straight pin. Reach through the opening in the side seam to first pull out one sleeve. Remove the pin but keep hold of the edges. Stitch the sleeve edges together, right sides facing. From outside of coat, pull sleeve to outside again. Stitch the other sleeve in same manner. Fold lower sleeve edges up as marked.

Sew seam opening closed.