

### 125 Fur Bolero

Burda sizes 44, 46, 48, 50, 52

Back length about 37 cm (14 1/2 ins)

### Materials

Fake Fur,  
width: 150 cm (59 in)  
length: 0.80 – 0.85 – 0.85 – 0.90 – 0.90 m  
(7/8 – 1 – 1 – 1 – 1 yd).

Satin for lining,  
width: 140 cm (55 in)  
length: 0.80 – 0.85 – 0.85 – 0.90 – 0.90 m  
(7/8 – 1 – 1 – 1 – 1 yd).

Recommended fabrics: Fake fur.

### Preparations

Print the pattern out on letter or A4 sized paper. It is **very** important to not scale or fit any of the pages, you must print the document in **actual size**. Your pattern will print on multiple pages, which you will then tile together. Arrange the sheets on a large, hard and flat surface matching up the numbers and letters (i.e. 6A to 6A). Cut or fold one of the sides and match the edge to it's corresponding side. Then, tape down in place so paper is secure.

Trace the pattern pieces from the pattern sheet following the lines and markings for your size.

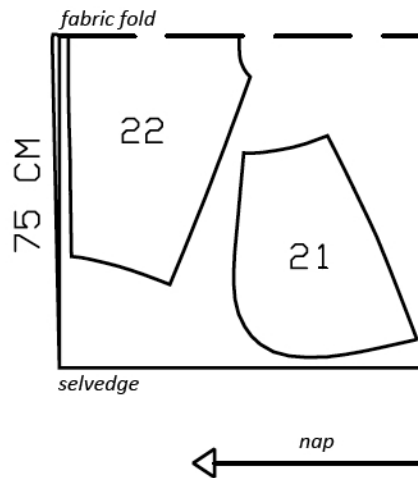
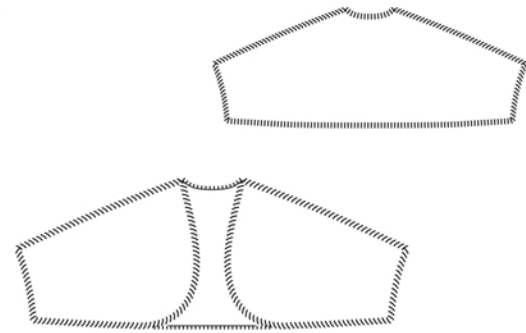
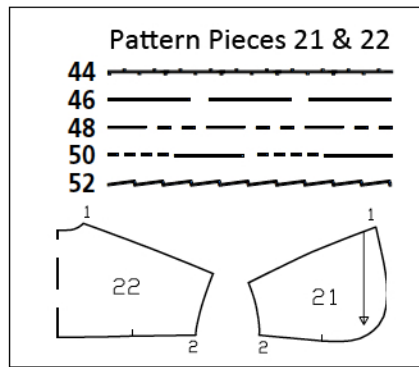
**burda style magazine patterns do not have seam allowance included.**

Seam and hem allowance to be added:  
Seams and edges 1.5 cm (5/8 in).

### Cutting Out

Fake fur:  
21 front with sleeve 2x  
22 back with sleeve, on a fold 1x

Lining: pieces 21 and 22.



Cut from a double layer of fabric, right side facing in. Note direction of nap.

### Sewing

Stitch shoulder seams and upper sleeve seams on both fur and lining pieces as continuous seams.

Pin lining right sides together with bolero. Stitch together along front hem edges, from marking, and along front and neck edges. Stitch along back hem edge, between markings. Trim seam allowances. Turn lining to inside.

For the lower sleeve seams, lay fronts right sides together with back. First pin sleeve seams of outer fabric, from each sleeve hem edge to marking, turning lining back (toward centre). Stitch. Then stitch sleeve seams of lining, about 10 cm (4 ins) long, from sleeve hem edge – leave remaining seams open. Turn lining back toward lower sleeve hem edges again.

Turn in lower edge of each sleeve and lining and hold at the seam with a single straight pin. Reach between outer layer and lining to first pull out one sleeve. Remove the pin but keep hold of the edges. Stitch lower edges of sleeve and lining right sides together. Work from the outer side of the bolero to pull the sleeve out – the sleeve lining will be pulled into the sleeve. Sew lining of second sleeve in place in same manner. Sew seam openings on lining closed.