

101 Coat

Burda sizes 17, 18, 19, 20, 21

Back length about 85 cm (33 1/2 ins)

Materials

Houndstooth check fabric,
width: 145 cm (57 in)
length: 3.00 m (3 3/8 yds) for all sizes.

Lining,
width: 140 cm (55 in)
length: 1.80 m (2 yds).

Interfacing.

4 buttons.

Recommended fabrics: Coat fabrics of wool or blends.

Preparations

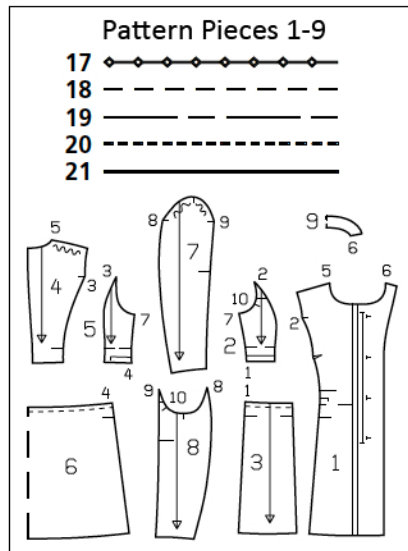
Print the pattern out on letter or A4 sized paper. It is **very important** to not scale or fit any of the pages, you must print the document in **actual size**. Your pattern will print on multiple pages, which you will then tile together. Arrange the sheets on a large, hard and flat surface matching up the numbers and letters (i.e. 6A to 6A). Cut or fold one of the sides and match the edge to it's corresponding side. Then, tape down in place so paper is secure.

Trace the pattern pieces from the pattern sheet following the lines and markings for your size.

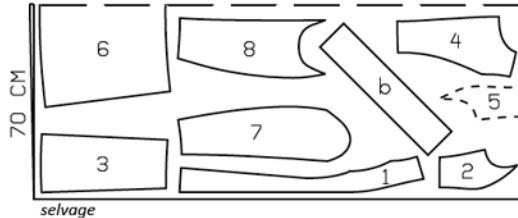
The buttonholes and slash line on piece 1 are marked for size 17. For sizes 18 – 21, mark the top buttonhole and top end of slash the same distance from neck edge as for size 17. The bottom buttonhole and bottom end of slash are in the same place for all sizes. Space the other buttonholes evenly in between. The joining line for the tie bands on piece 1 is marked on the pattern for size 17 only. Remark the joining line for the other sizes according to the size lines.

burda style magazine patterns do not have seam allowance included.

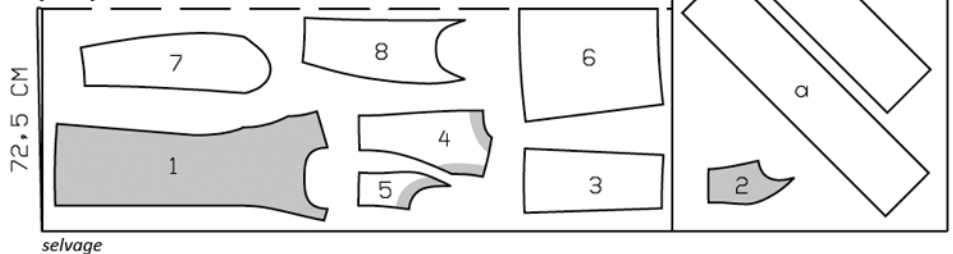
Seam and hem allowance to be added:
Seams and edges 1.5 cm (5/8 in), hem and sleeve hems 4 cm (1 5/8 ins), lining 1.5 cm (5/8 in).



Lining, 140cm wide
fabric fold



Houndstooth, 145cm wide
fabric fold



Right side faces in on a double layer of fabric. Right side faces up on a single layer. Cut right and left pieces as opposites. Match checks.

Cutting Out

Houndstooth check fabric: Draft the following piece NOT included:

1 centre front 2x	a) 2 tie bands, cut on bias, 86 – 88 – 90 – 92 – 94 cm (34 – 34 3/4 – 35 1/2 – 36 1/4 – 37 ins) long, 20 cm (8 ins) wide, finished width 10 cm (4 ins).
2 upper side front 2x	
3 lower side front 2x	
4 upper centre back 2x	
5 upper side back 2x	
6 lower back, on a fold 1x	
7 upper sleeve 2x	
8 under sleeve 2x	
9 back facing, on a fold 1x	

Lining: piece 1 minus width of facing; piece 4 minus neck facing and with an ease pleat of about 2 cm (3/4 in) at centre back; pieces 2, 3, and 5 to 8; and also 1 bias facing strip for the concealed fastening, 55 cm (21 3/4 ins) long, 12 cm (4 3/4 ins) wide (incl. allowance).

Interfacing: See pattern layout. Also interface hem allowances.

Sewing

Stitch bust darts. Press darts up.

Gather upper edge of lower side front pieces. Stitch upper side fronts to lower side fronts. Press seam allowances onto upper pieces. Stitch side fronts to centre fronts. Press seam allowances open.

Stitch centre seam and section seams on upper back. Gather upper edge of lower back. Stitch upper back to lower back. Press seam allowances up.

Sew opening for concealed fastening on right front facing as follows: Hand-baste along slash line on facing so that it is visible on right side of fabric. Lay lining strip centred over marked line and pin in place. Work from wrong side to stitch a rectangle, about 7 mm (1/4 in) wide, around the marked opening. Slash between lines of stitching and clip diagonally into corners at top and bottom end. Turn lining strip to inside and press ends of opening. On lengthwise edge which lies next to marked buttonholes, turn lining strip into opening and fold it so that it fills the opening. Pin lining strip in place and stitch in place, along line of joining seam. Work buttonholes as marked. Lay lining strip at front edge of opening toward inside edge of facing. Baste opening closed. Stitch small triangles at ends of opening to lining strip, on inside. Baste lining strip to facing. Stitch across opening, centred between buttonholes.

Stitch side seams and shoulder seams.

Lay front self-facings outward and stitch to back facing. Stitch facing right sides together with neck edge. Trim seam allowances, trimming corners diagonally. Turn facing to inside.

Unfold facings at hem. Press hem allowance to inside but do not yet sew in place. Lay facings to inside again.

Fold each tie band lengthwise, right side facing in. Measure and mark 16.5 – 17.5 – 19 – 20 – 21.5 cm (6 1/2 – 7 – 7 1/2 – 8 – 8 1/2 ins) along long edge, from one end (front end). Stitch



across back ends and along long edge to marking. Stitch across front ends. Trim seam allowances, trimming corners diagonally. Clip at markings. Turn tie bands right side out and press. Neaten open long edges together and stitch to coat at joining line – bands point up. Press bands down like flaps. Tie bands together in back.

Stitch sleeve seams. Press sleeve hem allowances to inside and sew in place by hand.

Set in sleeves, easing sleeve caps.

Sew lining: On upper centre back lining, stitch allowances of centre seam together, 1 cm (3/8 in) from edge. Stitch along centre back for the ease pleat, from upper and lower edges each about 5 cm (2 ins) long, and baste in between. Press pleat to one side. Stitch darts and seams of lining. Set in sleeve linings.

Line coat, hem: Stitch lining to inside edges of facing, laying hem allowance down. Lay lining inside coat with wrong sides facing, pulling linings into sleeves. Lay hem allowance to inside and sew in place. Turn lining edge under along lower edge of coat and press fold edge lightly. Push upward in a shallow curve and pin to hem allowance. Sew facings and lining in place. Lay extra length of lining down and press lightly. Pin a fold, about 1 cm (3/8 in) deep, in lining above sleeve hems. Turn in lining of sleeves and sew to hem allowances. Lay extra length of lining down and press .

Topstitch right front vertically at level of each buttonhole, 4 cm (1 5/8 ins) long and spaced 6 cm (2 3/8 ins) from front edge.