

124 Skirt

Burda sizes 36, 38, 40, 42, 44

Length from waist 78 cm (30 3/4 ins)

Upper edge of skirt sits 2.5 cm above waist

Materials

Loden cloth

width: 130 cm (51 in)

length: 0.90 m (1 yd) for all sizes.

Interfacing.

1 invisible zip, 22 cm (9 ins) long.

Recommended fabrics: Skirt fabrics of wool or blends. Use only fabrics which do not fray.

Preparations

Print the pattern out on letter or A4 sized paper. It is **very important** to not scale or fit any of the pages, you must print the document in **actual size**. Your pattern will print on multiple pages, which you will then tile together. Arrange the sheets on a large, hard and flat surface matching up the numbers and letters (i.e. 6A to 6A). Cut or fold one of the sides and match the edge to it's corresponding side. Then, tape down in place so paper is secure.

Trace the pattern pieces from the pattern sheet following the lines and markings for the correct size and the correct style (124). This pattern also includes pattern pieces, lines and markings for style 123B that should be ignored.

burda style magazine patterns do not have seam allowance included.

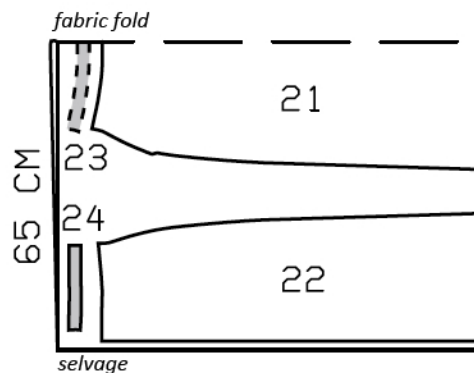
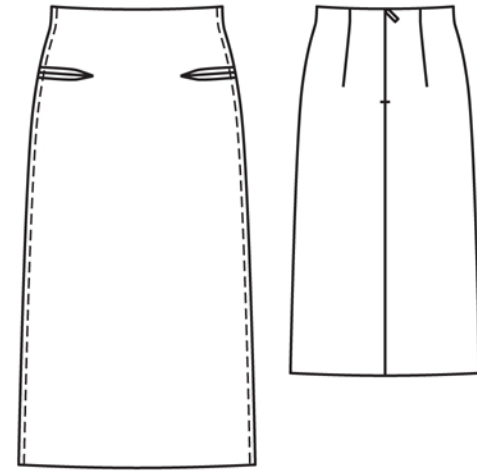
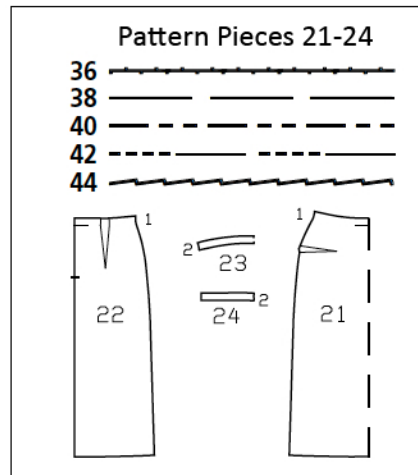
Seam and hem allowance to be added:

Seams and edges 1.5 cm (5/8 in), no allowances on lower edges of skirt panels.

Cutting Out

- 21 front skirt panel, on a fold 1x
- 22 back skirt panel 2x
- 23 front facing, on a fold 1x
- 24 back facing 2x

Interfacing: Iron to facing pieces. Cut interfacing pieces 3 mm (1/8 in) smaller than paper pattern pieces, on upper edge.



Cut from a double layer of fabric, right side facing in.

Sewing

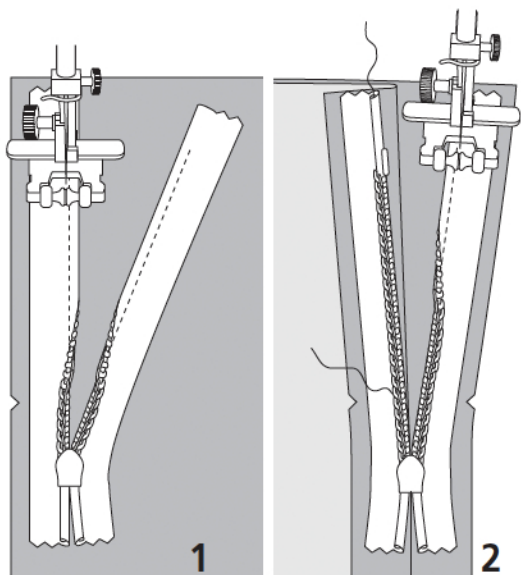
Stitch back darts and press toward centre.

Stitch darts in front skirt panel from right fabric side, e.g. wrong sides of fabric are facing when stitching. Trim dart allowances to 5 mm (3/16 in) wide and cut along centres, up to points. Press darts open and topstitch close to each side of seams.

Trim away allowances on side seam edges of front skirt panel. Edgestitch side seam edges of front skirt panel to seam allowances of back skirt panels then stitch again 5 mm (3/16 in) from edge.

Sew invisible zip to edges of back skirt panels, see the "Helpful Hint" on next page. Leave top ends of zip tapes loose, turn down, and baste. Stitch centre back seam in the "normal" manner. Press seam allowances open.

Stitch side seams of facing in the "normal" manner. Trim away allowances on narrow back edges of facing, then press narrow edges to inside, 7 mm (1/4 in) wide. Lay facing under upper edge of skirt and baste. Sew facing to zip tapes. Stitch along upper edge of skirt. Trim seam allowances close to stitching. Sew lower edge of facing to seams.



These special zippers come in various lengths. The zipper should be at least 2 cm (3/4 in) longer than the slit. It is sewn in place before the seam below the slit is stitched. A special presser foot is required to sew the zipper in place.

Sewing the zipper in place:

Open the zipper and push the coil back with your thumbnail to reveal the seam marking between the tape and the coil. Place the open zipper right side down on the right fabric side of one slit edge.

In order to stitch the zipper in place exactly along the marked seam line, you must first calculate the distance between the tape edge and the fabric edge as follows: width of seam allowance minus 1 cm (3/8 in) tape width = distance from edge of fabric. This will yield a value of 5 mm (3/16 in) if the width of the seam allowance is 1.5 cm (5/8 in).

Pin the top end of the zipper tape in place, the calculated distance from the edge of the fabric. The bottom end of the zipper will extend past the marked end of the slit. Place the presser foot on the zipper so that the coil is in the notch to the right of the needle (1). Stitch zipper in place, from the top to the marked end of the slit. Close zipper.

Place the other zipper tape face down on the opposite slit edge and pin in place at the top. Open zipper again. Place the presser foot on the top end of the zipper so that the coil is in the notch to the left of the needle (2). Sew the zipper in place, from the top to the end of the slit. Close zipper.

Now stitch the seam below the zipper, from bottom to top. Turn the loose lower end of the zipper out of the way, over the seam allowance. Stitch as close as possible to the last stitches of the zipper seams. Trim away excess zipper and bind the end with a scrap of fabric.