

116 Jacket

Burda sizes 36, 38, 40, 42, 44

Back length approx. 75 cm (30 ins)

Materials

Brocade,
width: 150 cm (59 ins)
length: 2.00 m (2 1/4 yds) for all sizes.

Lining,
width: 140 cm (55 ins)
length: 1.35 – 1.40 – 1.40 – 1.45 – 1.45 m
(1 5/8 – 1 5/8 – 1 5/8 – 1 3/4 – 1 3/4 yds).

Petersham ribbon, 2 cm (3/4 in) wide and 3.30 – 3.35 – 3.40 – 3.45 – 3.50 m (3 5/8 – 3 3/4 – 3 3/4 – 3 7/8 – 3 7/8 yds) long.

Shoulder pads.

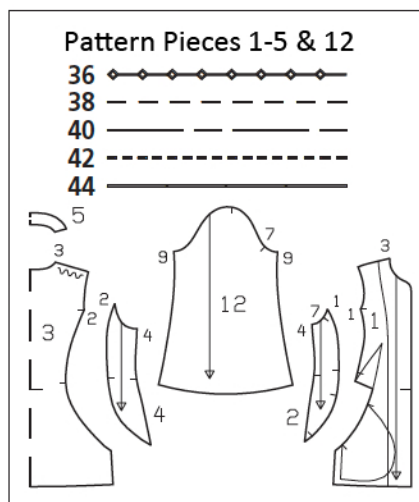
Recommended fabrics: Jacket fabrics with some body. Petersham ribbon or pre-folded bias tape to bind the jacket edges.

Preparations

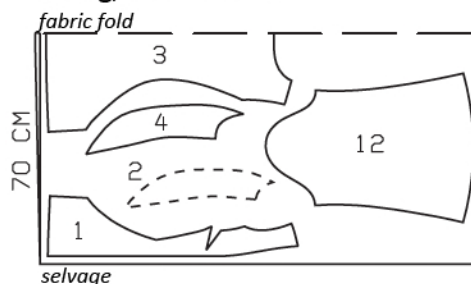
Print the pattern out on letter or A4 sized paper. It is **very important** to not scale or fit any of the pages, you must print the document in **actual size**. Your pattern will print on multiple pages, which you will then tile together. Arrange the sheets on a large, hard and flat surface matching up the numbers and letters (i.e. 6A to 6A). Cut or fold one of the sides and match the edge to it's corresponding side. Then, tape down in place so paper is secure.

Trace the pattern pieces from the pattern sheet following the lines and markings for the correct size and the correct style (116). This pattern also includes pattern pieces, lines and markings for style 114, 115 & 117 that should be ignored.

Trace the facing from piece 1 as a separate pattern piece. Trace the pocket piece from piece 1 as a separate pattern piece – it is the same for all sizes. Centre front lining piece: Mark a horizontal line from the section seam to point of dart and cut open. Lay vertical dart closed, thereby opening a bust dart for the lining piece (see pattern layout).

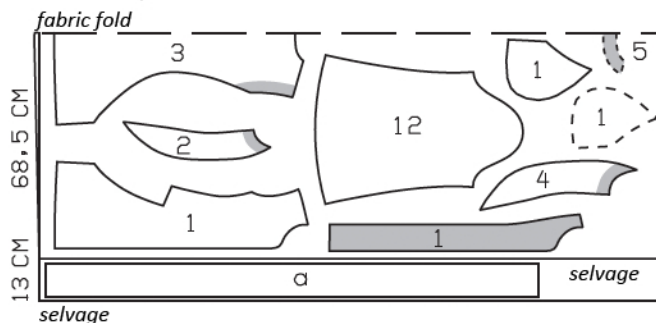


Lining, 140cm wide



Fold the fabric as shown in the pattern layout. Right side faces in on a double layer of fabric; right side faces up on a single layer of fabric.

Brocade, 150cm wide



burda style magazine patterns do not have seam allowance included.

Seam and hem allowance to be added:

Seams and edges 1.5 cm (5/8 in), hem and sleeve hems 4 cm (1 5/8 ins), lining 1.5 cm (5/8 in).

Cutting Out

Brocade:

- 1 front 2x
- front facing 2x
- pocket piece 4x
- 2 side front 2x
- 3 back, on a fold 1x
- 4 side back 2x
- 5 back facing, on a fold 1x
- 12 sleeve 2x

Draft the following piece NOT included in the pattern:

a) tie belt, 150 – 155 – 160 – 160 – 165 cm (59 – 61 – 63 – 63 – 65 ins) long, 10 cm (4 ins) wide, finished width 5 cm (2 ins).

Lining: piece 1 minus width of facing; piece 3 minus neck facing and with an ease pleat of approx. 2 cm (3/4 in) at centre back;; and also pieces 2, 4, and 12.

Interfacing: See shaded area on pattern layout.

Sewing

Stitch darts in fronts. Trim dart allowances to 1 cm (3/8 in) wide and press open, pressing points of darts flat. Stitch side fronts to fronts, not stitching across pocket openings. Clip seam allowances several times along curves. Press seam allowances open.

Pin pocket pieces right sides together with seam allowances of pocket opening edges and stitch in place, directly along marked seam lines. Press pocket pieces forward. Cut 2 pieces of petersham ribbon, each 18 cm (7 1/8 ins) long. Turn ribbon ends under, 1 cm (3/8 in) wide. Fold ribbons in half lengthwise and press. Pin ribbons under front pocket opening edges so that fold edges extend, 5 mm (3/16 in) wide. Topstitch close to pocket opening edges. Stitch pocket pieces together.

Stitch back section seams, side seams, shoulder seams, and facing seams. Press seam allowances open.

Press hem allowance to inside and sew in place by hand.



Stitch sleeve seams. Press sleeve hems to inside and sew in place by hand.

Fold remaining petersham ribbon lengthwise and press so that ribbon half which lies below is 2 mm (about 1/8 in) wider.

For the lower sleeve edges, cut 2 pieces of the pressed petersham ribbon, each 49 – 50 – 51 – 53 – 54 cm (19 1/4 – 19 3/4 – 20 1/4 – 21 – 21 1/4 ins) long. Lay each petersham ribbon over lower sleeve edge and pin so that the wider ribbon half lies on the inside. Turn ribbon ends under at sleeve seam. Work from outer side of sleeve to stitch close to edge of ribbon, thereby catching inside edge. Set in sleeves. Sew shoulder pads in place.

On front facings, press allowances on lower edges to inside. Lay facing on fronts and back, wrong sides together, and baste to front and neck edges, next to seam allowances. Trim away seam allowances on front and neck edges. Lay petersham ribbon over these edges, first ironing ribbon to shape, along the edge of the paper pattern piece. Turn ribbon ends under at hem edge. Stitch ribbon in place.

Sew lining: On back lining piece, stitch ease pleat at top and bottom, each approx. 5 cm (2 ins) long, and baste in between. Press pleat to one side. Stitch darts and seams of lining. Set in sleeve linings.

Sew lining to jacket: Stitch lining to inside facing edge, first turning lower facing edges down. Lay lining inside jacket, with wrong sides facing, pulling linings into sleeves. Turn lining under along hem edge and press fold lightly. Slide upward in a shallow curve and pin to hem allowance. Sew facings and lining in place. Lay extra length of lining down and press lightly. Above each sleeve hem, pin a fold, approx. 1 cm (3/8 in) deep, in lining. Turn edge of sleeve lining under and sew to hem allowance. Lay extra length down and press.

Fold tie belt lengthwise, right side facing in. Trim each end at an angle. Stitch edges together, leaving a section of seam open, for turning. Turn right side out. Sew opening closed.