

### 110 Dress

Burda sizes 36, 38, 40, 42, 44

Dress length from waist 58 cm (23 ins)

### Materials

Duchesse,  
width: 150 cm (59 ins)  
length: 1.60 m (1 3/4 yds) for all sizes.

Chiffon, as lining for dress bodice  
width: 140 cm (55 ins)  
length: 0.45 m (5/8 yd).

Vilene Bias Tape/ stay tape.

Invisible zip, 60 cm (24 ins) long.

Recommended fabrics: Lightweight dress fabrics with some body.

### Preparations

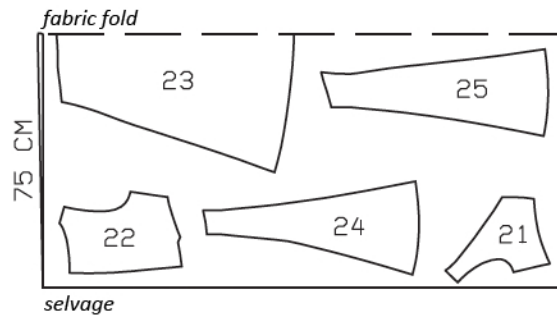
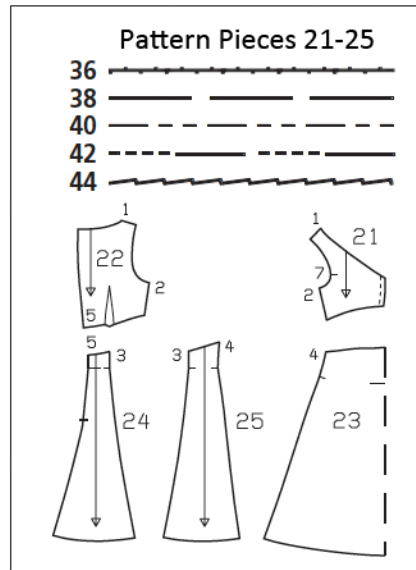
Print the pattern out on letter or A4 sized paper. It is **very important** to not scale or fit any of the pages, you must print the document in **actual size**. Your pattern will print on multiple pages, which you will then tile together. Arrange the sheets on a large, hard and flat surface matching up the numbers and letters (i.e. 6A to 6A). Cut or fold one of the sides and match the edge to it's corresponding side. Then, tape down in place so paper is secure.

Trace the pattern pieces from the pattern sheet following the lines and markings for the correct size and the correct style (110). This pattern also includes pattern pieces, lines and markings for style 111 that should be ignored.

**burda style magazine patterns do not have seam allowance included.**

Seam and hem allowance to be added:

Seams and edges 1.5 cm (5/8 in), hem 4 cm (1 5/8 ins).



Cut from a double layer of fabric, right side facing in.

### Cutting Out

Duchesse:

21 front 2x

22 back 2x

23 front skirt panel, on a fold 1x

24 centre back skirt panel 2x

25 side back skirt panel 2x

Chiffon (lining):

pieces 21 and 22.

Vilene Bias Tape/ stay tape: Iron to wrong side of neck and arm-hole edges.

## Sewing

Gather centre seam edge of each front to 4 – 4.5 – 5 – 5.5 – 6 cm (1 5/8 – 1 7/8 – 2 – 2 1/4 – 2 3/8 ins). Stitch centre front seam, beginning at marked neck edge. Stitch darts in back pieces and press darts toward centre. Stitch side seams of dress bodice. Press seam allowances open.

Gather lining pieces as for pieces of main fabric and stitch together.

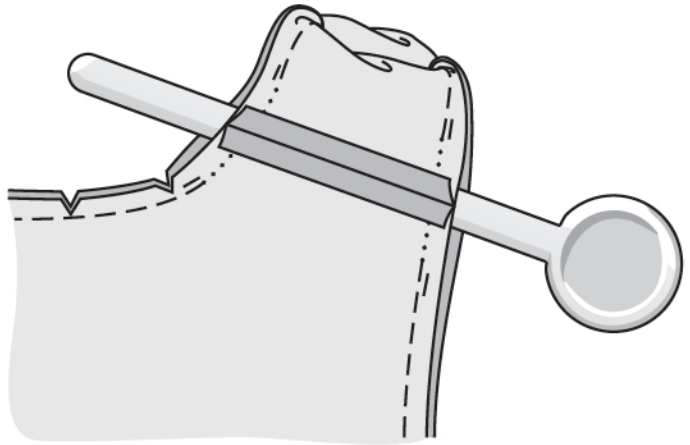
Neck and armhole edges, shoulder seams: Pin lining pieces to front and back, right sides together. Stitch along neck and armhole edges, beginning and ending 2 cm (3/4 in) below each shoulder seam line. Trim seam allowances and clip curves close to stitching. In front (not in back), turn lining to inside. Slide front shoulder edges between the as-yet-unturned back shoulder edges – right fabric sides of front and back and of lining are facing. Stitch shoulder seams of dress and lining. Pull front and lining which lie inside up and out slightly and press seam allowances open. This will be easier if you slip the handle of a wooden spoon under the seams (see image). Then stitch remaining open edges closed. Pull front down out of back shoulder edges and the back lining will turn itself to the inside. At neck and armhole edges, stitch lining to seam allowances, as far as possible, close to seam. Press edges.

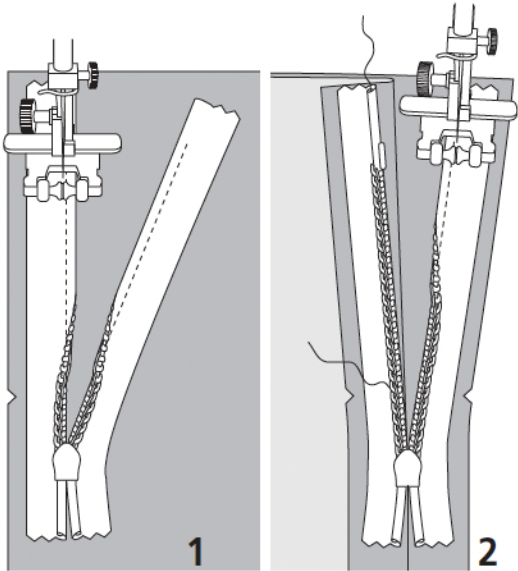
Baste lower lining edge and back edges in place, without turning in.

On skirt, stitch back section seams and side seams. Press seam allowances open. Stitch skirt to dress bodice. Press seam allowances down.

Sew invisible zip to back opening edges, see the “Helpful Hint” on next page. Begin and end at neck edge and leave upper ends of zip tapes extending. Turn in upper ends of zip tapes and sew in place. Stitch centre back seam from lower edge to zip.

Press hem allowance to inside and sew in place by hand.





These special zippers come in various lengths. The zipper should be at least 2 cm (3/4 in) longer than the slit. It is sewn in place before the seam below the slit is stitched. A special presser foot is required to sew the zipper in place.

### **Sewing the zipper in place:**

Open the zipper and push the coil back with your thumbnail to reveal the seam marking between the tape and the coil. Place the open zipper right side down on the right fabric side of one slit edge.

In order to stitch the zipper in place exactly along the marked seam line, you must first calculate the distance between the tape edge and the fabric edge as follows: width of seam allowance minus 1 cm (3/8 in) tape width = distance from edge of fabric. This will yield a value of 5 mm (3/16 in) if the width of the seam allowance is 1.5 cm (5/8 in).

Pin the top end of the zipper tape in place, the calculated distance from the edge of the fabric. The bottom end of the zipper will extend past the marked end of the slit. Place the presser foot on the zipper so that the coil is in the notch to the right of the needle (1). Stitch zipper in place, from the top to the marked end of the slit. Close zipper.

Place the other zipper tape face down on the opposite slit edge and pin in place at the top. Open zipper again. Place the presser foot on the top end of the zipper so that the coil is in the notch to the left of the needle (2). Sew the zipper in place, from the top to the end of the slit. Close zipper.

Now stitch the seam below the zipper, from bottom to top. Turn the loose lower end of the zipper out of the way, over the seam allowance. Stitch as close as possible to the last stitches of the zipper seams. Trim away excess zipper and bind the end with a scrap of fabric.