

130 Dress

Burda sizes 36, 38, 40, 42, 44

Back length approx. 98 cm (39 ins)

Materials

Black linen lawn,
width: 140 cm (55 ins)
length: 2.40 – 2.75 – 2.75 – 2.75 – 2.75 m
(2 5/8 – 3 1/8 – 3 1/8 – 3 1/8 – 3 1/8 yds).

White satin,
width: 140 cm (55 ins)
length: 0.65 m (7/8 yd) for all sizes.

Interfacing.

Elastic, 7 mm (1/4 in) wide and 0.50 m (5/8 yd) long.

1 invisible zip, 40 cm (16 ins) long.

3 small sew-on snap fasteners.

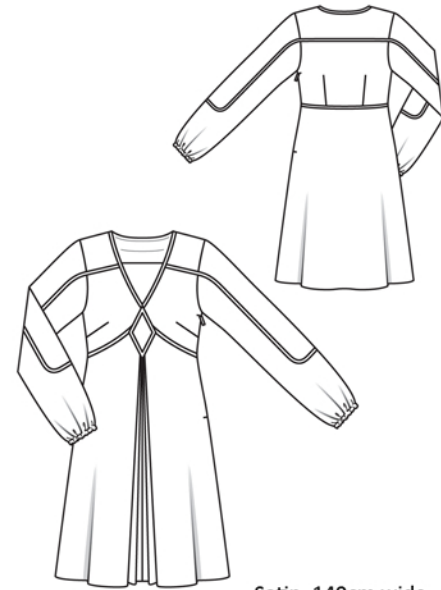
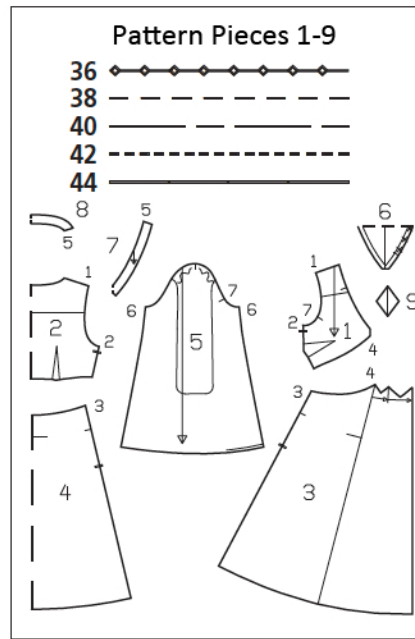
Recommended fabrics: Lightweight dress fabrics.

Preparations

Print the pattern out on letter or A4 sized paper. It is **very important** to not scale or fit any of the pages, you must print the document in **actual size**. Your pattern will print on multiple pages, which you will then tile together. Arrange the sheets on a large, hard and flat surface matching up the numbers and letters (i.e. 6A to 6A). Cut or fold one of the sides and match the edge to it's corresponding side. Then, tape down in place so paper is secure.

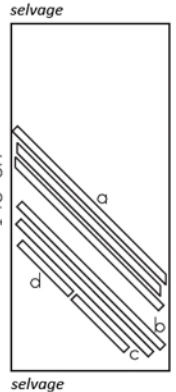
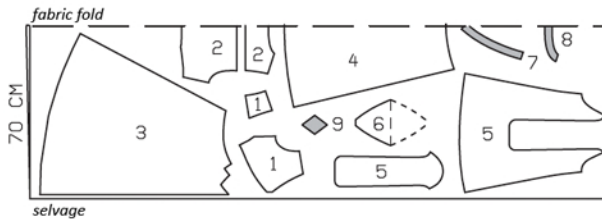
Trace the pattern pieces from the pattern sheet following the lines and markings for the correct size and the correct style (130). This pattern also includes pattern pieces, lines and markings for style 129 & 131 that should be ignored.

Cut pieces 1 and 2 apart on marked seam lines = front and front yoke, back and back yoke. Cut piece 5 apart on marked seam line = sleeve and band. The snap fasteners marked on piece 6 apply for size 36. For sizes 38 – 44, mark top position the same distance from upper edge as for size 36. The bottom snap is the same for all sizes. Centre the third snap in between.



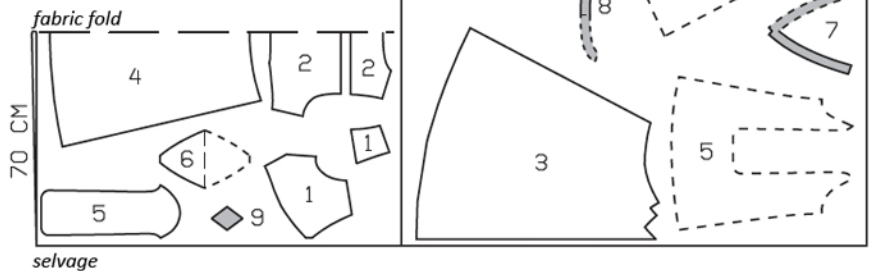
Satin, 140cm wide
Sizes 36-44

Black Linen, 140cm wide
Size 36



Fold the fabric as shown in the pattern layout. Right side faces in on a double layer of fabric; right side faces up on a single layer of fabric. Cut right and left pieces as opposites.

Sizes 38-44



burda style magazine patterns do not have seam allowance included.

Seam and hem allowance to be added:

Seams and edges 1.5 cm (5/8 in), hem 4 cm (1 5/8 ins), sleeve hems 2 cm (3/4 in).

Cutting Out

Linen lawn:

- 1 front 2x
- front yoke 2x
- 2 back, on a fold 1x
- back yoke, on a fold 1x
- 3 front skirt panel 2x
- 4 back skirt panel, on a fold 1x
- 5 sleeve 2x
- sleeve band 2x
- 6 front insert, on a fold 1x
- 7 front neck facing, on a fold 1x
- 8 back neck facing, on a fold 1x
- 9 front patch 2x

Satin:

Draft the following pieces NOT included in the pattern:

bias binding strips, 3 cm (1 1/4 ins) wide (incl. allowances):

a) for yoke and sleeve bands, a total of 235 – 239 – 243 – 246 – 250 cm (92 1/2 – 94 – 95 3/4 – 97 – 98 1/2 ins) long,

b) for neck edge, 76 – 77 – 79 – 80 – 82 cm (30 – 30 1/2 – 31 1/4 – 31 1/2 – 32 1/2 ins) long,

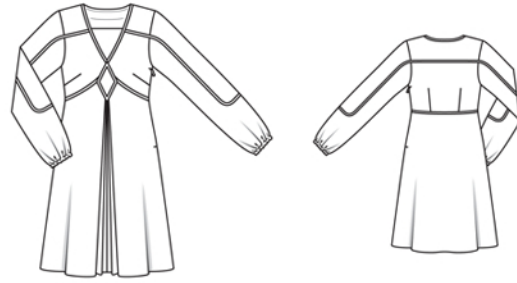
c) for lower edge of bodice, 1 piece, 25 – 27 – 28 – 29 – 31 cm (10 – 10 3/4 – 11 1/8 – 11 1/2 – 12 1/4 ins) long, and 1 piece, 62 – 65 – 69 – 72 – 76 cm (24 1/2 – 25 3/4 – 27 1/4 – 28 1/2 – 30 ins) long,

d) for front patch 30 cm (12 ins) long.

Interfacing: See shaded area on pattern layout.

Sewing

Stitch shoulder seams of yoke. Press seam allowances open. Stitch upper edge (sleeve cap) of each sleeve band piece to armhole edge of yoke, eased to match – begin and end exactly on seam line of yoke attachment seam. Pin sleeves to armhole edges of front and back pieces and stitch in place, from upper edge down approx. 5 cm (2 ins) long. Leave remainder of seams open. Press allowances of sleeve attachment seams toward sleeves.



Bind and stitch lower yoke edges and band edges: Trim away seam allowances on these edges. Fold binding strip in half lengthwise and press, then unfold again. Stitch one long edge of binding strip to yoke and band edges, right sides facing, stitching 7 mm (1/4 in) from fabric edge. Fold strip over edge to inside and baste in place. Pin lower yoke edges to allowances of upper front and back edges, then pin bands to sleeve so that fold edge of binding meets marked seam line. Stitch binding close to edge/attachment seam.

Stitch darts in front and back pieces. Press bust darts down and press back darts toward centre back. Stitch right side seam of dress bodice. Stitch shoulder seams of neck facing. Lay neck facing under neck edge, with wrong sides facing, and baste next to seam allowance. Sew facing to shoulder seams.

Bind neck edge: Trim away seam allowance of neck edge. Fold binding strip in half lengthwise, right side facing out, and press. Unfold strip out flat again. Fold one long edge of strip to the pressed fold and press. Pin other edge of strip to inside neck edge and stitch in place, 7 mm (1/4 in) from edge. Fold binding strip out over edge, turn edge under, and pin in place. Edgestitch binding in place.

Bind lower edges of dress bodice as described for yoke and band edges. Stitch centre front seam. Press seam allowances open. Stitch centre front seam on skirt. Fold pleats in upper skirt edge in direction of arrows and baste. Stitch right side seam of skirt. Stitch lower edge of dress bodice to upper skirt edge as described for yoke and band edges.

Sew invisible zip to side edges, between slit marks, see the “Helpful Hint” on next page. Leave top ends of zip tapes loose. Teeth of zip begin at slit mark. Stitch left side seam above and below zip.

Stitch each sleeve seam, leaving seam open below hem line, for elastic. Turn hem allowance to inside, turn raw edge under, and baste. Work from outer side of sleeve to stitch as marked. Pull elastic into lower edge of each sleeve. Sew ends of each elastic together to a circumference of 20 – 21 – 21 – 22 – 22 cm (8 – 8 3/8 – 8 3/8 – 8 3/4 – 8 3/4 ins). Stitch remaining sleeve attachment seams.

Lay front patch pieces together, wrong sides facing. Baste together next to seam allowances. Trim away allowances. Bind edges, beginning at bottom point and making folds in binding at corners. Turn binding end under. Pin patch to dress, at centre front, matching top point to point of neck edge. Stitch patch in place, close to binding.



These special zippers come in various lengths. The zipper should be at least 2 cm (3/4 in) longer than the slit. It is sewn in place before the seam below the slit is stitched. A special presser foot is required to sew the zipper in place.

Sewing the zipper in place:

Open the zipper and push the coil back with your thumbnail to reveal the seam marking between the tape and the coil. Place the open zipper right side down on the right fabric side of one slit edge.

In order to stitch the zipper in place exactly along the marked seam line, you must first calculate the distance between the tape edge and the fabric edge as follows: width of seam allowance minus 1 cm (3/8 in) tape width = distance from edge of fabric. This will yield a value of 5 mm (3/16 in) if the width of the seam allowance is 1.5 cm (5/8 in).

Pin the top end of the zipper tape in place, the calculated distance from the edge of the fabric. The bottom end of the zipper will extend past the marked end of the slit. Place the presser foot on the zipper so that the coil is in the notch to the right of the needle (1). Stitch zipper in place, from the top to the marked end of the slit. Close zipper.

Place the other zipper tape face down on the opposite slit edge and pin in place at the top. Open zipper again. Place the presser foot on the top end of the zipper so that the coil is in the notch to the left of the needle (2). Sew the zipper in place, from the top to the end of the slit. Close zipper.

Now stitch the seam below the zipper, from bottom to top. Turn the loose lower end of the zipper out of the way, over the seam allowance. Stitch as close as possible to the last stitches of the zipper seams. Trim away excess zipper and bind the end with a scrap of fabric.