

### 134 Waistcoat

Burda sizes 36, 38, 40, 42, 44

Back length approx. 57 cm (22 1/2 ins)

### Materials

Ottoman (with widthwise ribs),  
width: 140 cm (55 ins)  
length: 0.85 – 0.90 – 1.15 – 1.15 – 1.15 m  
(1 – 1 – 13/8 – 1 3/8 – 1 3/8 yds).

Lining,  
width: 140 cm (55 ins)  
length: 0.70 – 0.75 – 0.75 – 0.75 – 0.75 m (7/8 yd).

Interfacing.

5 buttons.

Recommended fabrics: Fabrics with some body.

### Preparations

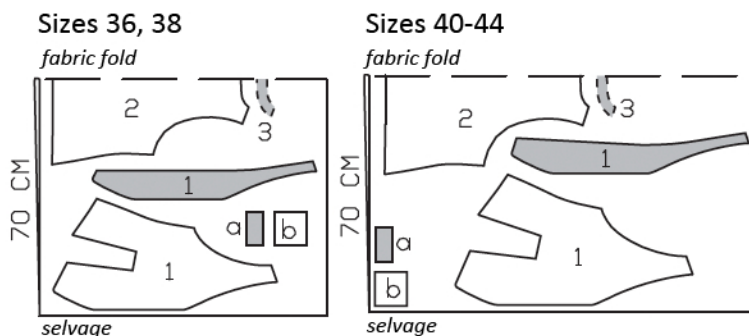
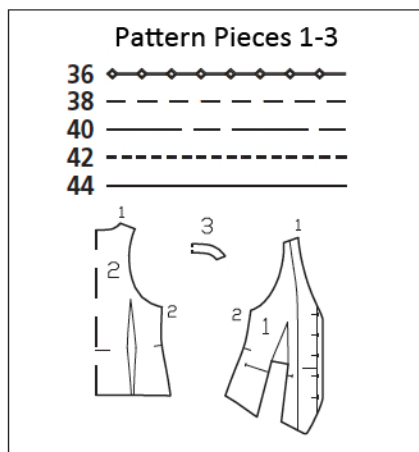
Print the pattern out on letter or A4 sized paper. It is very important to not scale or fit any of the pages, you must print the document in actual size. Your pattern will print on multiple pages, which you will then tile together. Arrange the sheets on a large, hard and flat surface matching up the numbers and letters (i.e. 6A to 6A). Cut or fold one of the sides and match the edge to it's corresponding side. Then, tape down in place so paper is secure.

Trace the pattern pieces from the pattern sheet following the lines and markings for your size. Trace the front facing from piece 1 as a separate pattern piece.

The buttonholes on piece 1 are marked for size 36. For sizes 38 – 44, mark the top buttonhole the same distance from neck edge as for size 36. The bottom buttonhole is the same for all sizes. Space the other buttonholes evenly in between.

**burda style magazine patterns do not have seam allowance included.**

Seam and hem allowance to be added:  
Seams and edges 1.5 cm (5/8 in), hem 4 cm (15/8 ins), lining 1.5 cm (5/8 in).



Cut from a double layer of fabric, right side facing in.

### Cutting Out

Ottoman:  
1 front 2x  
front facing 2x  
2 back, on a fold 1x  
3 back facing, on a fold 1x

Draft the following pieces NOT included in the pattern:  
a) 2 welts, 10 cm (4 ins) long, 5 cm (2 ins) wide, finished width 2.5 cm (1 in),  
b) 2 pocket pieces, 13 cm (5 1/4 ins), 12 cm (4 3/4 ins) long (incl. allowances).

Lining: pieces 1 and 2 minus width of facing; pocket piece (piece b).

Interfacing: See shaded area on pattern layout.

## Sewing

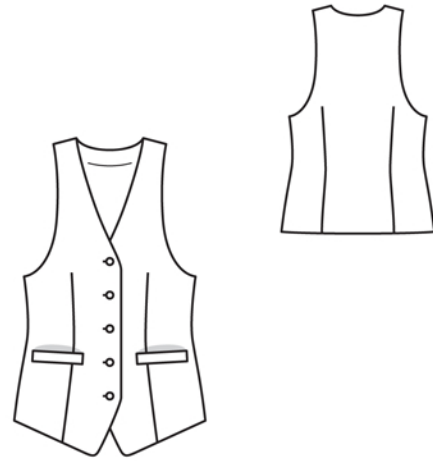
Stitch front darts. Trim dart allowances to 1 cm (3/8 in) wide and press open, pressing points of darts flat.

Sew welt pockets on fronts: Fold each welt lengthwise, with right side facing in, and stitch across ends. Trim seam allowances. Turn welts right side out and press. Stitch each welt to front, along marked attachment line, right sides facing – welt points down. Lay pocket pieces of main fabric on fronts, opposite welts and stitch in place 1.5 cm (5/8 in) from welt attachment seams. These seams should be approx. 5 mm (3/16 in) shorter at the ends than welt attachment seams. Slash between lines of stitching and clip diagonally toward each last stitch. Do not cut pocket pieces! Pull pocket pieces to inside and press welts over pocket openings. Stitch pocket lining pieces to seam allowances of welt attachment seams on inside. Fold small fabric triangles at pocket opening ends to inside and stitch to pocket pieces. Trim pocket pieces even and stitch together. Sew ends of welts in place by hand.

Stitch back darts and press toward centre back.

Stitch darts of lining. Stitch front facings to front lining pieces and stitch back facing to back lining. Press seam allowances onto lining.

Neck edge, armhole edges, front edges, shoulder seams: Pin lining pieces with facing to fronts and back, right sides together. Stitch along front hem edges (beginning 3 cm/ 1 1/4 ins from inside facing edge), front edges, neck edge, and armhole edges, beginning/ending stitching 2 cm (3/4 in) below each shoulder seam line. Trim seam allowances and clip curves close to stitching. On fronts (not on back), turn facing and lining to inside. Slide front shoulder edges between the as-yet-unturned back shoulder edges, right fabric sides of front and back and of facing and lining lie together. Stitch shoulder seams of main fabric and of facing and lining. Pull the front which lies inside and the facing and lining up and out slightly and press seams open. This will be easier if you slip the handle of a wooden spoon under the seams. Then stitch remaining



open edges closed. Pull fronts down out of back shoulder edges and the back lining with the facing will turn itself to the inside. Press front edges, neck edge, and armhole edges.

Stitch side seams of main fabric and lining as continuous seams.

Press hem allowance to inside and sew in place by hand. Turn lining under along hem edge and press fold edge lightly. Slide upward in a shallow curve and pin to hem allowance. Sew facing and lining in place. Lay extra length of lining down and press lightly.

Work buttonholes in right front.