

### 146 Coat

Burda sizes 44, 46, 48, 50, 52

Back length approx. 110 cm (43 1/2 ins)

### Materials

Wool fabric with a soft brushed surface,  
width: 145 cm (57 ins)

length: 1.60 – 1.60 – 2.00 – 2.00 – 2.00 m  
(1 3/4 – 1 3/4 – 2 1/4 – 2 1/4 – 2 1/4 yds).

Nappa leather:

To make this style in size 46, you will need 2 leather skins with a total of approx. 15 sq. ft. (1 sq. ft. = 30 x 30 cm). Ask your leather dealer about the requirements for larger sizes since leather skins can vary greatly. We recommend that you take the paper pattern with you when purchasing the leather.

Lining,

width: 140 cm (55 ins)  
length: 2.00 – 2.00 – 2.30 – 2.30 – 2.30 m  
(2 1/4 – 2 1/4 – 2 5/8 – 2 5/8 – 2 5/8 yds).

Interfacing.

4 large sew-on snap fasteners and shoulder pads.

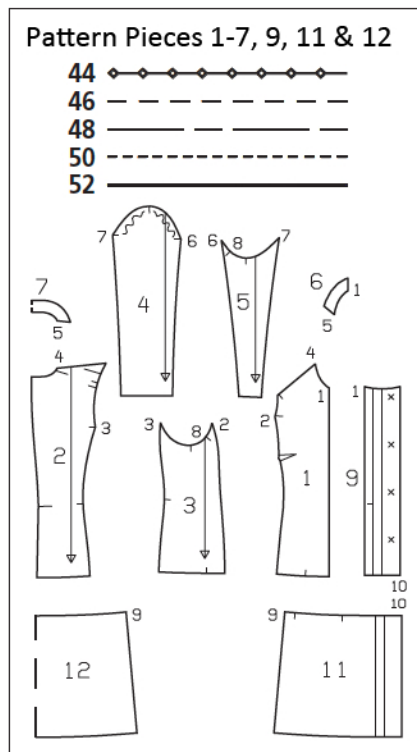
Textile adhesive and magic chalk.

Recommended fabrics: Coat fabrics with some body of wool or blends, combined with leather or imitation leather.

### Preparations

Print the pattern out on letter or A4 sized paper. It is **very important** to not scale or fit any of the pages, you must print the document in **actual size**. Your pattern will print on multiple pages, which you will then tile together. Arrange the sheets on a large, hard and flat surface matching up the numbers and letters (i.e. 6A to 6A). Cut or fold one of the sides and match the edge to it's corresponding side. Then, tape down in place so paper is secure.

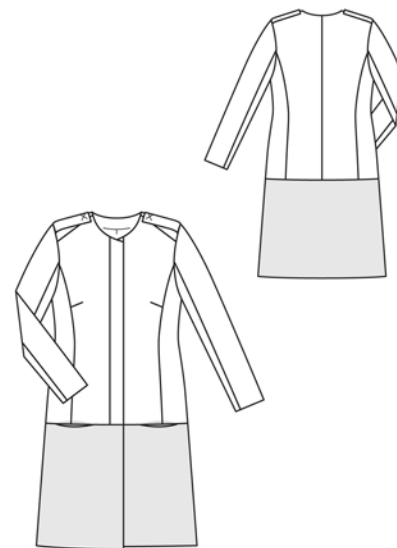
Trace the pattern pieces from the pattern sheet following the lines and markings for the correct size and the correct style (146). This pattern also includes pattern pieces, lines and markings for style 145 that should be ignored.



Cut from a double layer of fabric, right side facing in. Note direction of nap.

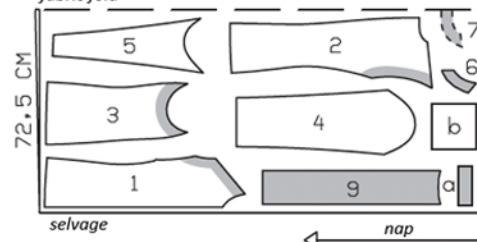
Nappa Leather:  
Cut lower coat pieces from nappa leather.

Leather skins can vary greatly, so there is no pattern layout for these pieces.



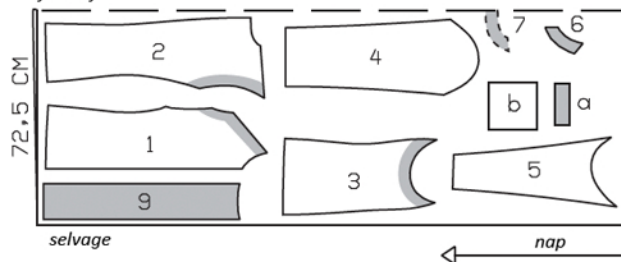
Sizes 44, 46

fabric fold



Sizes 48-52

fabric fold



The snap fasteners marked on piece 9 are for size 44. For the other sizes, mark the top snap the same distance from upper edge as for size 44. The bottom snap is the same for all sizes. Space the other snaps evenly in between.

**burda style magazine patterns do not have seam allowance included.**

Seam and hem allowance to be added:

Seams and edges 1.5 cm (5/8 in), hem and sleeve hems 4 cm (1 5/8 ins) (flare sleeve hem allowance on piece 5). Cut lining pieces with 1.5 cm (5/8 in) wide seam and hem allowances.

## Cutting Out

### Wool fabric:

- 1 upper front 2x
- 2 upper back 2x
- 3 upper side piece 2x
- 4 upper sleeve 2x
- 5 lower sleeve 2x
- 6 front neck facing 2x
- 7 back neck facing, on a fold 1x
- 9 front band 2x

Draft the following pieces NOT included in the pattern:

- a) 2 tab pieces (shoulder), 14 cm (5 1/2 ins) long, 5 cm (2 ins) wide,
- b) 2 pocket pieces 18 cm (7 1/8 ins) wide, 18 cm (7 1/8 ins) long (incl. allowances).

### Leather:

- 11 lower front 2x
- 12 lower back, on a fold 1x
- tab pieces (shoulder) twice 14 cm (5 1/2 ins) long, 5 cm (2 ins) wide.

Lining: piece 1 minus neck facing; piece 2 minus neck facing and with an ease pleat of approx. 2 cm (3/4 in) at centre back; piece 11 minus width of facing; pieces 3, 4, 5, and 12; and also pocket piece (piece b).

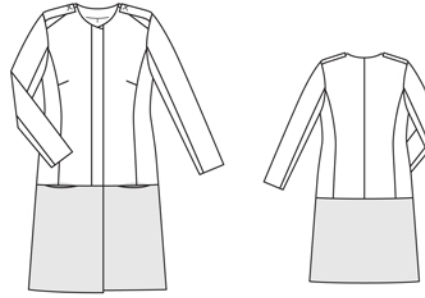
Interfacing: See shaded area on pattern layout. Also interface hem allowances of sleeves.

## Sewing

Stitch bust darts. Cut darts open along centre and press open, pressing points of darts flat.

Stitch centre back seam. Stitch side pieces to fronts and to back. Stitch forwarded shoulder seams. Stitch front bands to upper fronts. Press seam allowances open.

Stitch side seams of lower pieces. Spread seam allowances open and glue in place (textile adhesive). Stitch upper unit to lower unit. Do not stitch across pocket openings, between seam marks. Press seam allowances down.



Inseam pockets: On inner sides of fronts, stitch pocket lining pieces to lower pocket opening edges, 5 mm (3/16 in) from marked seam line, right sides facing. Press pocket pieces down and stitch again close to attachment seams. Stitch pocket pieces of main fabric to upper pocket opening edges, directly along marked seam line. Trim pocket pieces even and stitch together.

Lay each tab piece each of main fabric on leather tab piece, right sides facing. Stitch along long edges and across one end. Trim seam allowances. Turn tabs right side out and press edges. Baste tabs to armhole edges, between placement lines, so that seamed end of tab lies 1 cm (3/8 in) from marked neck edge. Stitch faced ends of tabs in place with a stitched cross.

Stitch shoulder seams of neck facing. Turn self-facings to outside and stitch to neck facing. Clip seam allowance of self-facings at bottom end of seam. Press seam allowances open. Pin facing to neck edge, right sides together. Stitch along neck edge. Trim seam allowances. Turn facing to inside and press edges.

At hem edge, unfold facings. Press hem allowance to inside, then turn down again.

Stitch sleeve seams. Press sleeve hem allowances to inside and sew in place by hand. Set in sleeves, easing sleeve caps. Sew shoulder pads in place.

On back lining pieces, stitch allowances of centre seam together, 1 cm (3/8 in) from edge. For the ease pleat, stitch along centre back at top and bottom, each approx. 5 cm (2 ins) long, and baste in between. Press pleat to one side. Stitch darts and seams of lining. Set in sleeve linings.

Line coat, hem: Stitch lining right sides together with inside facing edge. Lay lining inside coat, with wrong sides together, pulling linings into sleeves. Turn hem allowance to inside and sew in place by hand. Turn lining edge under along hem edge, and press fold lightly. Slide upward in a shallow curve and pin to hem allowance. Sew facings and lining in place. Lay extra length of lining down and press lightly. Do not sew hem allowance in place, but instead glue it in place, inside the fold edge, 2 cm (3/4 in) wide.

Cover snap fastener halves with lining fabric. Sew top halves of snaps to inside of right front band as marked, not exiting needle on right side of fabric. Sew bottom halves of snaps to left front band.

Work from outer side of coat to stitch along each band attachment seam.