

119 Coat

Burda sizes 36, 38, 40, 42, 44

Back length approx. 102 cm (40 ins)

Materials

Wool velours,
width: 150 cm (59 ins)
length: 2.45 – 2.50 – 2.50 – 2.55 – 2.55 m
(2 3/4 – 2 3/4 – 2 3/4 – 2 7/8 – 2 7/8 yds).

Lining,
width: 140 cm (55 ins)
length: 1.80 – 1.80 – 1.80 – 2.05 – 2.05 m
(2 – 2 – 2 – 2 1/4 – 2 1/4 yds).

Interfacing.

Vilene Bias Tape/stay tape.

2 buttons and 1 flat inside button.

Thin shoulder pads.

Recommended fabrics: Coat fabrics of wool or blends.

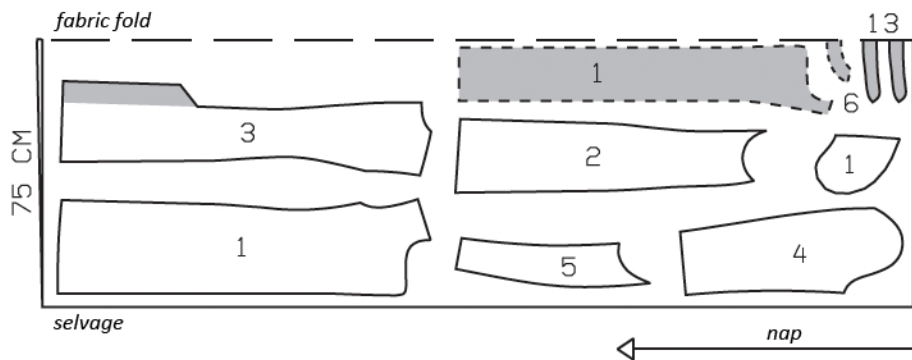
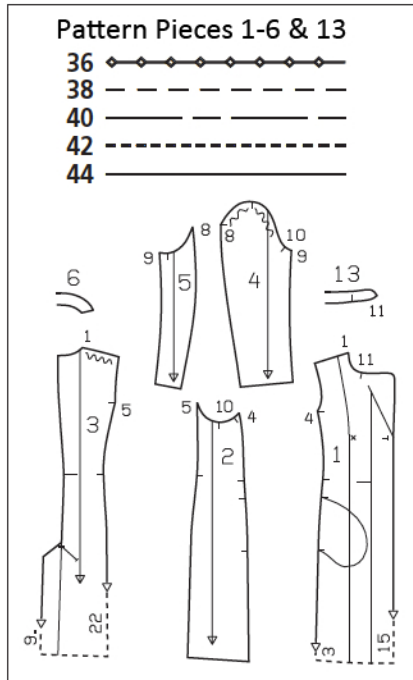
Preparations

Print the pattern out on letter or A4 sized paper. It is **very important** to not scale or fit any of the pages, you must print the document in **actual size**. Your pattern will print on multiple pages, which you will then tile together. Arrange the sheets on a large, hard and flat surface matching up the numbers and letters (i.e. 6A to 6A). Cut or fold one of the sides and match the edge to it's corresponding side. Then, tape down in place so paper is secure.

Trace the pattern pieces from the pattern sheet following the lines and markings for the correct size and the correct style (119). This pattern also includes pattern pieces, lines and markings for style 117 & 118 that should be ignored. Trace the facing from piece 1 as a separate pattern piece. Trace the pocket piece from piece 1 as a separate pattern piece – it is the same for all sizes. **burda style magazine patterns do not have seam allowance included.**

Seam and hem allowance to be added:

Seams and edges 1.5 cm (5/8 in), hem and sleeve hems 4 cm (1 5/8 ins), lining 1.5 cm (5/8 in).



Cut from a double layer of fabric, right side facing in. Note direction of nap.

Cutting Out

Wool velours:

- 1 front 2x
- front facing 2x
- pocket piece 2x
- 2 side piece 2x
- 3 back 2x
- 4 upper sleeve 2x
- 5 under sleeve 2x
- 6 back facing, on a fold 1x
- 13 standing collar, on a fold 2x

Lining: piece 1 minus width of facing; piece 3 minus neck facing and with an ease pleat of approx. 2 cm (3/4 in) at centre back; pieces 2, 4 and 5; and also pocket piece.

Interfacing: See shaded area on pattern layout. Also interface hem allowances. Iron Vilene Bias Tape/stay tape to wrong side of neck and armhole edges and to wrong side of front shoulder edges.

Sewing

Stitch side pieces to fronts, not stitching across pocket openings. Press seam allowances open.

Inseam pockets: Pin pocket pieces right sides together with seam allowances of pocket opening edges – pocket lining pieces in front and pocket pieces of skirt fabric in back. Stitch pocket lining pieces to fronts and stitch pocket pieces of coat fabric to side pieces.

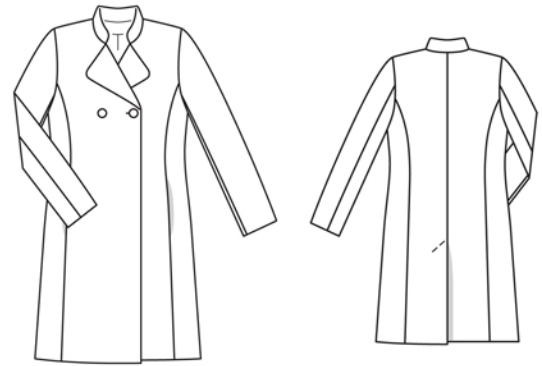
Stitch centre back seam, leaving vent open at bottom. Press seam allowances of centre seam open and press left vent facing to inside. Turn right vent underlap toward left back and press seam allowance of right back to inside above vent, tapering as you go to avoid needing to clip the allowance.

Stitch side pieces to back. Stitch shoulder seams on coat and facing.

Pin facings right sides together with coat. Build a little extra fullness into corners of lapels. Stitch facings to front edges and lapel edges, as far as seam marks. Leave facings lying right sides together with coat for the time being. Lay collar pieces right sides together. Stitch together along front and upper edges, beginning and ending stitching on front, exactly at seam line on attachment edge. Trim seam allowances. Turn collar right side out and press. Stitch outer collar piece to neck edge of coat and stitch inside collar piece to facing. Press seam allowances open. Turn facings to inside. Press edges. Pin collar attachment seams together exactly. Turn back facing up and stitch seam allowances together, close to collar attachment seam. Turn facing down.

At hem edge, turn front facings and back vent facing back. Press hem allowance to inside then turn down again. Turn facings to inside.

Stitch sleeve seams. Press sleeve hem allowances to inside and sew in place by hand. Set in sleeves, easing sleeve caps. Sew shoulder pads in place.



Line coat, hem: Stitch lining to inside facing edges, turning hem allowance of facings down to do so. Lay lining inside coat with wrong sides together, pulling linings into sleeves. At back vent, pin lining seam to centre seam. At vent, turn back lining which lies on top. Turn under edge of lining which lies below and pin to vent underlap edge of right back. Reach up between lower edges of main fabric and lining to pull out underlap and lining. Pin edges together, up to approx. 10 cm (4 ins) above hem line, right sides facing. Turn hem allowance of coat to outside and stitch to lower lining edge, approx. 10 cm (4 ins) long, beginning at long edge of underlap. Pin hem allowance and lining to long edge of underlap, turning extra length of lining down like a small fold and pinning it in place under hem allowance. Stitch underlap edges together. Push underlap in place again. Lay the turned-back lining over the vent, trim to 1 cm (3/8 in) before underlap edge, trim at an angle 1 cm (3/8 in) below end of vent, and clip diagonally into corner, approx. 1 cm (3/8 in) long. Turn in lining edge and pin to vent underlap of left back. Reach between main fabric and lining, pull out facing and lining, and stitch edges together. Push facing in place again. At upper end of vent, turn lining edge under and sew to underlap. Turn hem allowance of coat to inside and sew in place by hand. Turn in lining along hem edge, press fold edge lightly, push upward in a shallow curve, and pin to hem allowance. Sew facings and lining in place. Lay extra length of lining down and press lightly. Turn edges of sleeve linings under and sew to hem allowances. Lay extra length down and press.

Pin back vent closed. Topstitch left back diagonally at top of vent as marked, catching underlap.

Work one buttonhole each in right and left front – left buttonhole for inside button. Lay coat closed, matching centre fronts. Sew buttons in place, to match buttonholes and as marked. Sew flat inside button to inside, on right front facing.