

114 Blouse

Burda sizes 17, 18, 19, 20, 21

Back length approx. 60 cm (24 ins)

Materials

Stretch poplin, with widthwise stretch,
width: 140 cm (55 ins)

length: 1.40 – 1.40 – 1.45 – 1.50 – 1.55 m
(1 5/8 – 1 5/8 – 1 3/4 – 1 3/4 – 1 3/4 yds).

Interfacing.

1 invisible zip, 40 cm (16 ins) long.

4 buttons for the cuffs.

Recommended fabrics: Stretch blouse fabrics. Use only fabrics with widthwise or two-way stretch.

Preparations

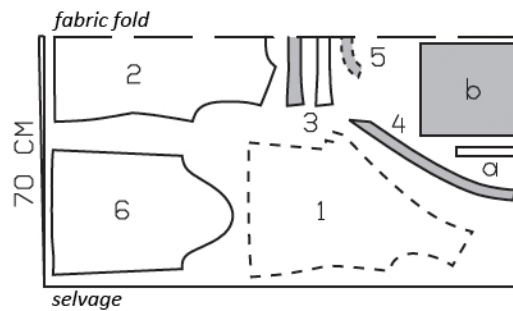
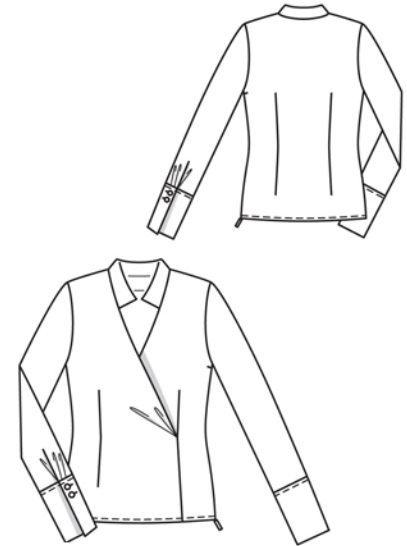
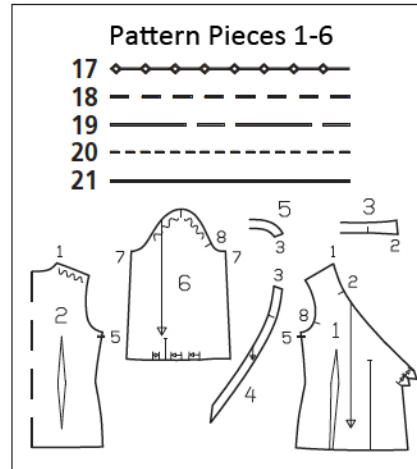
Print the pattern out on letter or A4 sized paper. It is **very important** to not scale or fit any of the pages, you must print the document in **actual size**. Your pattern will print on multiple pages, which you will then tile together. Arrange the sheets on a large, hard and flat surface matching up the numbers and letters (i.e. 6A to 6A). Cut or fold one of the sides and match the edge to it's corresponding side. Then, tape down in place so paper is secure.

Trace the pattern pieces from the pattern sheet following the lines and markings for the correct size and the correct style (114). This pattern also includes pattern pieces, lines and markings for style 115 & 116 that should be ignored.

The pleat arrows on piece 1 are marked for size 17. For the other sizes, re-mark the pleat arrows accordingly.

burda style magazine patterns do not have seam allowance included.

Seam and hem allowance to be added:
Seams and edges 1.5 cm (5/8 in), hem 2 cm (3/4 in).



Cut from a double layer of fabric, right side facing in.

Cutting Out

- 1 front 2x
- 2 back, on a fold 1x
- 3 collar, on a fold 2x
- 4 front neck facing 2x
- 5 back facing, on a fold 1x
- 6 sleeve 2x

Draft the following pieces NOT included in the pattern:
a) 2 binding strips for sleeve vents, 17 cm (6 3/4 ins) long, 3 cm (1 1/4 ins) wide (incl. allowances),

b) 2 cuffs, 25 – 26 – 26.5 – 27.5 – 28 cm (10 – 10 1/4 – 10 1/2 – 10 7/8 – 11 ins) long, 28 cm (11 ins) wide, finished width 14 cm (5 1/2 ins).

Interfacing: See shaded area on pattern layout.

Sewing

Stitch vertical darts in back and in right front. Press back darts toward centre back. Press front dart toward the side.

Stitch shoulder seams on blouse and on facing. Trim seam allowances to 7 mm (1/4 in) wide, neaten edges together, and press onto back. On facing, press seams open.

Stitch collar pieces together along outer edges, right sides facing. Trim seam allowances. Turn collar right side out and press. Baste attachment edges of collar together to neck edge (seam number 2).

Fold pleats in fronts in direction of arrows and baste.

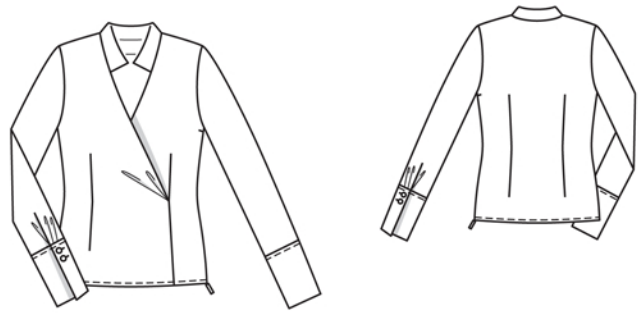
Neck edge: Pin facing right sides together with neck edge, catching collar between blouse and facing. Stitch along neck edge. Trim seam allowances, close to seam. Turn facing to inside and sew to shoulder seams. Baste front facing ends in place.

On left front, slash dart along centre, between marked lines, up to approx. 10 cm (4 ins) before pointed end. Pin right front to left front, with wrong side facing right side and matching centre fronts. Baste side edge of right front to dart. Stitch left dart, catching front edge. Press dart and seam allowances to the side. Neaten side edge of left front and stitch to right dart.

Sew invisible zip to left side edges, see the "Helpful Hint" on next page. Leave top ends of zip tapes loose. Stitch left side seam from upper edge to zip. Stitch right side seam.

Press hem allowance to inside, turn edge under by half width, and stitch in place.

Slash sleeve vents as marked. Spread slash edges apart to a straight line and stitch to one long edge of binding strip, as narrowly as possible. Press binding strip over attachment seam into vent, fold to 7 mm (1/4 in) wide, turn raw edge under, and sew to inside, along attach-

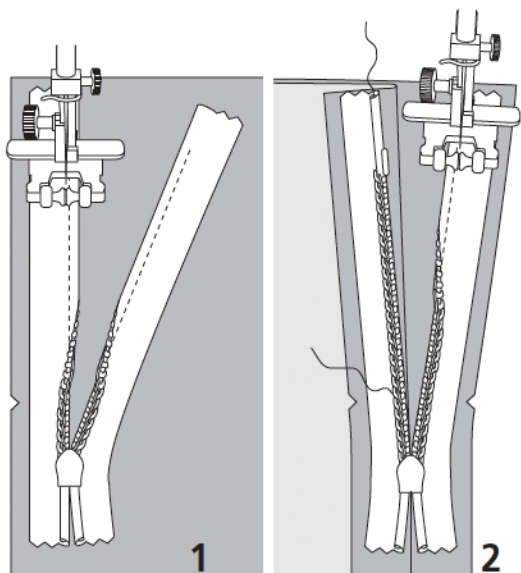


ment seam. On inside upper end of vent, stitch diagonally across binding. On each front vent edge, turn binding to inside and baste to lower edge.

Stitch sleeve seams. Fold pleats in lower sleeve edges in direction of arrows and baste.

Stitch cuffs to lower sleeve edges. Press seam allowances of attachment seams and of opposite cuff edges onto cuffs. Fold each cuff in half, right side facing in, and stitch across ends. Turn cuffs right side out. Baste inside edges in place. Topstitch cuffs close to attachment seams and 7 mm (1/4 in) from attachment seams. Topstitch close to remaining cuff edges. Work 2 buttonholes in front end of each cuff – 1.5 cm (5/8 ins) and 4.5 cm (1 7/8 ins) below attachment seam.

Set in sleeves, easing sleeve caps.



These special zippers come in various lengths. The zipper should be at least 2 cm (3/4 in) longer than the slit. It is sewn in place before the seam below the slit is stitched. A special presser foot is required to sew the zipper in place.

Sewing the zipper in place:

Open the zipper and push the coil back with your thumbnail to reveal the seam marking between the tape and the coil. Place the open zipper right side down on the right fabric side of one slit edge.

In order to stitch the zipper in place exactly along the marked seam line, you must first calculate the distance between the tape edge and the fabric edge as follows: width of seam allowance minus 1 cm (3/8 in) tape width = distance from edge of fabric. This will yield a value of 5 mm (3/16 in) if the width of the seam allowance is 1.5 cm (5/8 in).

Pin the top end of the zipper tape in place, the calculated distance from the edge of the fabric. The bottom end of the zipper will extend past the marked end of the slit. Place the presser foot on the zipper so that the coil is in the notch to the right of the needle (1). Stitch zipper in place, from the top to the marked end of the slit. Close zipper.

Place the other zipper tape face down on the opposite slit edge and pin in place at the top. Open zipper again. Place the presser foot on the top end of the zipper so that the coil is in the notch to the left of the needle (2). Sew the zipper in place, from the top to the end of the slit. Close zipper.

Now stitch the seam below the zipper, from bottom to top. Turn the loose lower end of the zipper out of the way, over the seam allowance. Stitch as close as possible to the last stitches of the zipper seams. Trim away excess zipper and bind the end with a scrap of fabric.