

138 Dress

Burda sizes 36, 38, 40, 42, 44

Length from waist 70 cm (27 3/4 ins)

3/4-sleeves, approx. 46 cm (18 ins) long

Materials

Wool jersey,
width: 150 cm (59 ins)
length: 1.70 – 1.75 – 1.80 – 1.85 – 1.85 m
(1 7/8 – 2 – 2 – 2 1/8 – 2 1/8 yds).

Interfacing.

Vilene Bias Tape/stay tape.

1 invisible zip, 60 cm (24 ins) long.

Recommended fabrics: Jersey of wool or wool blends, with body. Use jersey fabrics only.

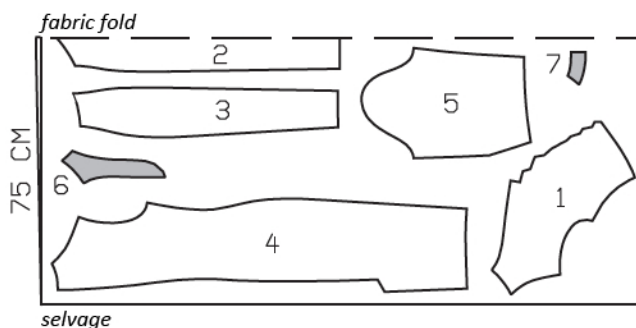
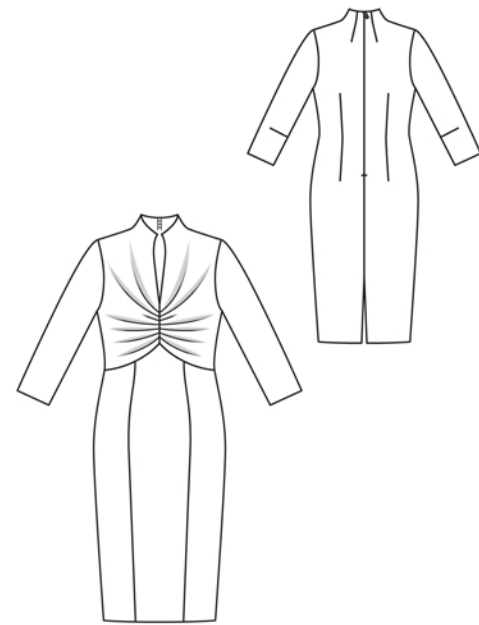
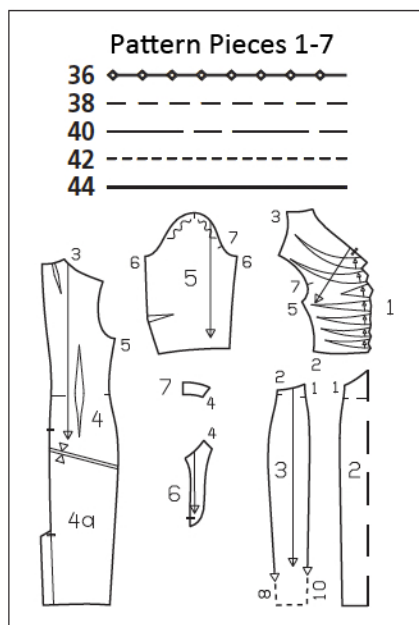
Preparations

Print the pattern out on letter or A4 sized paper. It is **very important** to not scale or fit any of the pages, you must print the document in **actual size**. Your pattern will print on multiple pages, which you will then tile together. Arrange the sheets on a large, hard and flat surface matching up the numbers and letters (i.e. 6A to 6A). Cut or fold one of the sides and match the edge to it's corresponding side. Then, tape down in place so paper is secure.

Trace the pattern pieces from the pattern sheet following the lines and markings for your size. The pleat arrows on piece 1 are marked for size 36. For the other sizes, remark the pleat arrows according to the size lines.

burda style magazine patterns do not have seam allowance included.

Seam and hem allowance to be added:
Seams and edges 1.5 cm (5/8 in), hem 4 cm (1 5/8 ins), sleeve hems 4 cm (1 5/8 ins) (flare sleeve hem allowance).



Cut from a double layer of fabric, right side facing in.

Cutting Out

- 1 upper front 2x
- 2 centre lower front, on a fold 1x
- 3 side lower front 2x
- 4 back 2x
- 5 sleeve 2x
- 6 front facing 2x
- 7 back facing 2x

Interfacing: See shaded area on pattern layout. Iron Vilene Bias Tape/stay tape to wrong sides of lower edges of upper fronts, front shoulder edges, armhole edges, and zip slit edges.

Sewing

On each upper front piece, work from inside to stitch pleats from front edge to each arrow marking (2 cm/ 3/4 in long), then baste pleats as marked. Lay pleat folds down, press pleat seams up to pointed ends. Do not yet undo basting. Baste pleats to front edges.

Pin front facings right sides together with upper fronts. Begin at shoulder seam line and stitch along neck and slit edges. Trim seam allowances. Turn lower facing ends back and pin in place. Stitch centre front seam below slit mark, ending at seam line on lower edge. Remove pins from facing and stitch centre front seam of facing. Turn facing to inside and press edges.

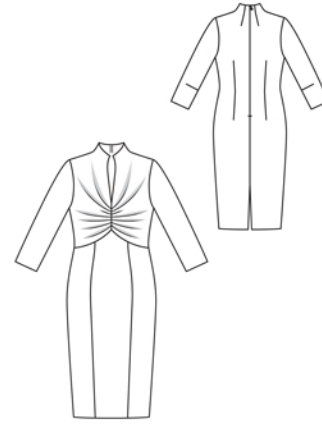
Stitch side lower fronts to centre lower front. Fold allowance on upper point of lower front down horizontally and press.

Stitch lower front to upper front. Press seam allowances up.

Stitch darts in back pieces. Press darts toward centre back.

Sew invisible zip to back slit edges, see "Helpful Hint" on next page. Stitch centre back seam from vent to zip.

Pin back facings to neck edges of back pieces, right sides facing. At zip slit, turn facings back, approx. 5 mm (3/16 in) before slit edge, and pin to neck edge. Turn allowances at back slit edges of dress to outside and pin to neck edge, over facings. Stitch along neck edge, ending stitching at shoulder seam line. Trim seam allowances. Turn facings and allowances at slit edges to inside.

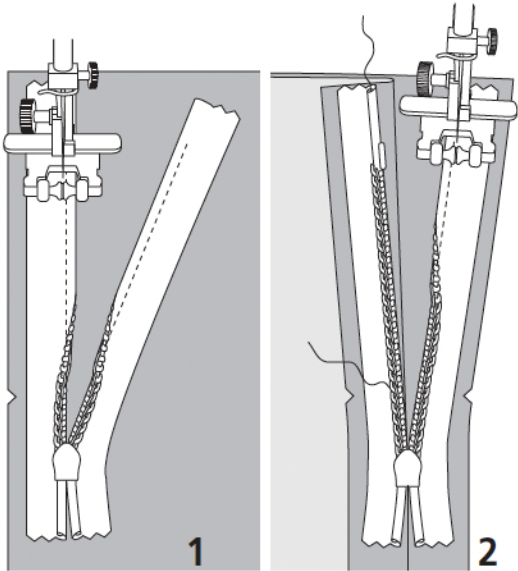


Stitch shoulder seams, turning facings up again and stitching them together. Press seam allowances open. Turn facing to inside and sew to zip tapes, back darts, shoulder seams and centre front seam.

Stitch darts in sleeves. Press darts up. Stitch sleeve seams. Press sleeve hem allowances to inside and sew in place by hand. Set in sleeves, easing sleeve caps.

Press hem allowance to inside and sew in place by hand. Press allowances on slit edges to inside and sew in place, over hem.

Undo basting at pleats. Tip: Baste pleats closed again before you wash the dress or have it cleaned.



These special zippers come in various lengths. The zipper should be at least 2 cm (3/4 in) longer than the slit. It is sewn in place before the seam below the slit is stitched. A special presser foot is required to sew the zipper in place.

Sewing the zipper in place:

Open the zipper and push the coil back with your thumbnail to reveal the seam marking between the tape and the coil. Place the open zipper right side down on the right fabric side of one slit edge.

In order to stitch the zipper in place exactly along the marked seam line, you must first calculate the distance between the tape edge and the fabric edge as follows: width of seam allowance minus 1 cm (3/8 in) tape width = distance from edge of fabric. This will yield a value of 5 mm (3/16 in) if the width of the seam allowance is 1.5 cm (5/8 in).

Pin the top end of the zipper tape in place, the calculated distance from the edge of the fabric. The bottom end of the zipper will extend past the marked end of the slit. Place the presser foot on the zipper so that the coil is in the notch to the right of the needle (1). Stitch zipper in place, from the top to the marked end of the slit. Close zipper.

Place the other zipper tape face down on the opposite slit edge and pin in place at the top. Open zipper again. Place the presser foot on the top end of the zipper so that the coil is in the notch to the left of the needle (2). Sew the zipper in place, from the top to the end of the slit. Close zipper.

Now stitch the seam below the zipper, from bottom to top. Turn the loose lower end of the zipper out of the way, over the seam allowance. Stitch as close as possible to the last stitches of the zipper seams. Trim away excess zipper and bind the end with a scrap of fabric.