

121A Skirt

Burda sizes 36, 38, 40, 42, 44

Skirt length 58 cm (23 ins)

Upper edge of skirt = waist

Materials

Techno-gabardine,
width: 145 cm (57 ins)
length: 0.85 – 0.85 – 0.85 – 0.90 – 0.90 m (1 yd).

A piece of lining, approx. 35 x 35 cm (14 x 14 ins),
for the pockets.

Interfacing.

1 invisible zip, 22 cm (9 ins) long.

Recommended fabrics: Skirt fabrics with some body.

Preparations

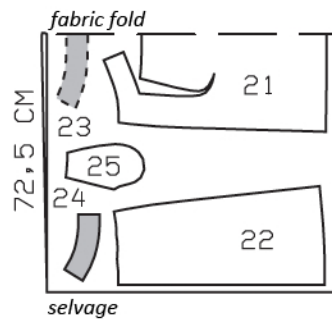
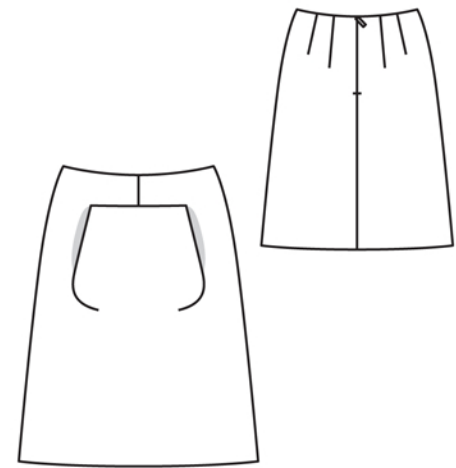
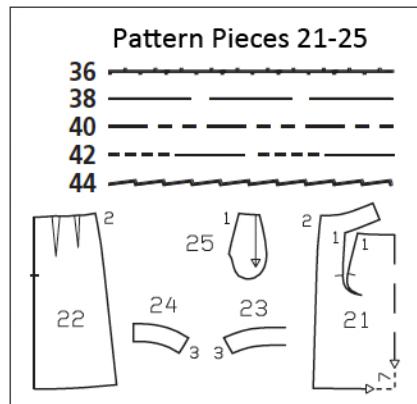
Print the pattern out on letter or A4 sized paper. It is **very important** to not scale or fit any of the pages, you must print the document in **actual size**. Your pattern will print on multiple pages, which you will then tile together. Arrange the sheets on a large, hard and flat surface matching up the numbers and letters (i.e. 6A to 6A). Cut or fold one of the sides and match the edge to it's corresponding side. Then, tape down in place so paper is secure.

Trace the pattern pieces from the pattern sheet following the lines and markings for your size.

burda style magazine patterns do not have seam allowance included.

Seam and hem allowance to be added:

Seams and edges 1.5 cm (5/8 in), front horizontal seam and pocket opening edges (also on pocket pieces) 7 mm (1/4 in).



Cut from a double layer of fabric,
right side facing in.

Cutting Out

Top fabric:

- 21 front skirt panel, on a fold 1x
- 22 back skirt panel 2x
- 23 front facing, on a fold 1x
- 24 back facing 2x
- 25 pocket piece 2x

Lining: pocket piece (piece 25) 2x.

Interfacing: See shaded area on pattern layout.

Sewing

Front skirt seams and inseam pockets: Cut front skirt piece between curved lines of each dart, to approx. 4 cm (1 5/8 ins) before pointed end. Neaten edges with narrow zigzag stitching. Pin darts below seam marks, easing side dart edges. Stitch. Press seam allowances open and press points of darts up. Pin pocket lining pieces right sides together with centre pocket opening edges and stitch to allowances, 3 mm (1/8 in) from marked seam line. Turn pocket lining pieces and allowances of pocket opening edges to inside. Press pocket opening edges. Pin pocket pieces of main fabric right sides together with side pocket opening edges. Stitch along seam lines, on upper skirt corners stitching exactly to marked horizontal seam line. Clip diagonally into seam allowance of skirt panel into corners. Press pocket pieces forward and pin pocket opening edges together. Trim pocket pieces even and stitch together. Baste upper pocket edges in place. Stitch centre front seam. Press seam allowances open. Stitch horizontal seam exactly from corner to corner. Press seam allowances up.

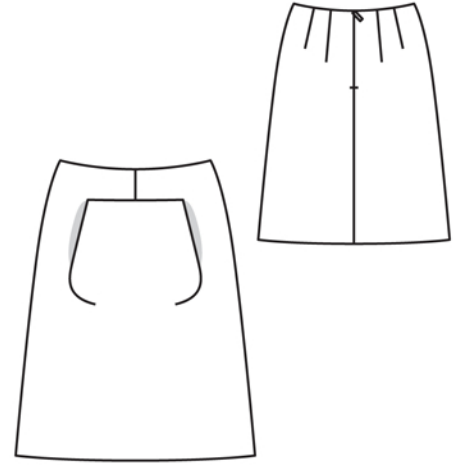
Stitch back darts and press darts toward centre back.

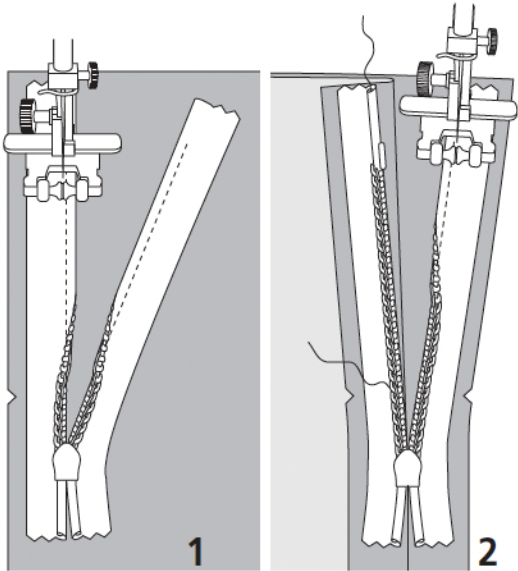
Sew invisible zip to back skirt edges, see the "Helpful Hint" on next page. Stitch centre back seam from lower edge to zip.

Stitch side seams. Stitch side seams of facing. Press seam allowances open.

Upper skirt edge: Pin facing right sides together with upper edge of trousers. At zip slit, turn facing ends back, approx. 5 mm (3/16 in) before slit edge, and pin to upper edge. Turn allowances on slit edges of trousers to outside and pin to upper trousers edge, over facing. Stitch along upper trousers edge. Turn allowances of slit edges to inside. Turn facing up and stitch to seam allowances, as far as possible, close to seam. Turn facing to inside and sew to zip tapes and to seams.

Press hem allowance to inside and sew in place by hand.





These special zippers come in various lengths. The zipper should be at least 2 cm (3/4 in) longer than the slit. It is sewn in place before the seam below the slit is stitched. A special presser foot is required to sew the zipper in place.

Sewing the zipper in place:

Open the zipper and push the coil back with your thumbnail to reveal the seam marking between the tape and the coil. Place the open zipper right side down on the right fabric side of one slit edge.

In order to stitch the zipper in place exactly along the marked seam line, you must first calculate the distance between the tape edge and the fabric edge as follows: width of seam allowance minus 1 cm (3/8 in) tape width = distance from edge of fabric. This will yield a value of 5 mm (3/16 in) if the width of the seam allowance is 1.5 cm (5/8 in).

Pin the top end of the zipper tape in place, the calculated distance from the edge of the fabric. The bottom end of the zipper will extend past the marked end of the slit. Place the presser foot on the zipper so that the coil is in the notch to the right of the needle (1). Stitch zipper in place, from the top to the marked end of the slit. Close zipper.

Place the other zipper tape face down on the opposite slit edge and pin in place at the top. Open zipper again. Place the presser foot on the top end of the zipper so that the coil is in the notch to the left of the needle (2). Sew the zipper in place, from the top to the end of the slit. Close zipper.

Now stitch the seam below the zipper, from bottom to top. Turn the loose lower end of the zipper out of the way, over the seam allowance. Stitch as close as possible to the last stitches of the zipper seams. Trim away excess zipper and bind the end with a scrap of fabric.