

108A Dress

Sizes 36, 38, 40, 42, 44

Length from waist 65 cm (25 3/4 ins)

Materials

Viscose/rayon challis, with horizontal print, width: 140 cm (55 ins)
length: 3.10 m (3 1/2 yds) for all sizes.

Interfacing.

1 invisible zip, 60 cm (24 ins) long.

Recommended fabrics: Softly draping dress fabrics.

Preparations

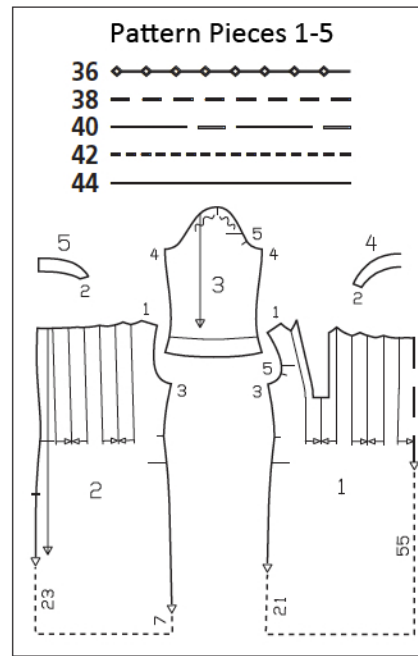
Print the pattern out on letter or A4 sized paper. It is **very important** to not scale or fit any of the pages, you must print the document in **actual size**. Your pattern will print on multiple pages, which you will then tile together. Arrange the sheets on a large, hard and flat surface matching up the numbers and letters (i.e. 6A to 6A). Cut or fold one of the sides and match the edge to it's corresponding side. Then, tape down in place so paper is secure.

Trace the pattern pieces from the pattern sheet following the lines and markings for the correct size and the correct style (108A). This pattern also includes pattern pieces, lines and markings for style 108B that should be ignored.

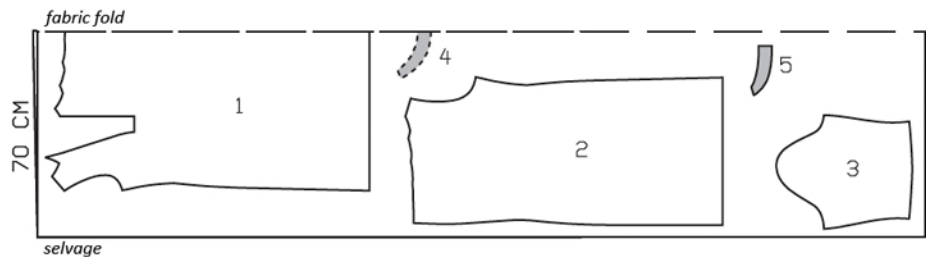
burda style magazine patterns do not have seam allowance included.

Seam and hem allowance to be added:

Seams and edges 1.5 cm (5/8 in), hem 4 cm (1 5/8 ins), sleeve hems 3 cm (1 1/4 ins) (flare sleeve hem allowance), no allowances on vertical edges of side front pleat.



Cut from a double layer of fabric, right side facing in.



Cutting Out

- 1 front, on a fold 1x
- 2 back 2x
- 3 sleeve 2x
- 4 front neck facing, on a fold 1x
- 5 back neck facing 2x

Interfacing: See shaded area on pattern layout.

Sewing

For the inverted pleats, fold front and back pieces on each middle pleat line and on centre front line, right fabric side facing in. Stitch outer pleat lines together, from upper edges to arrow mark. Lay pleats in direction of arrow and press. Baste pleats to upper edge.

Sew invisible zip to back slit edges, see the "Helpful Hint" on next page. Stitch centre back seam from lower edge to zip. Press seam allowances open.

Stitch side seams, shoulder seams, and facing seams. Begin and end stitching of shoulder seams exactly at marked neck edge.

Neck edge: Pin facing to neck edge of dress, right sides together. At zip slit, turn facing back, approx. 5 mm (3/16 in) before opening edge, and pin to upper edge. Turn allowances of dress slit edges to outside and pin to neck edge, over facing. Stitch along neck edge. Turn allowances of slit edges to inside. Turn facing up and stitch to seam allowances, as far as possible, close to seam. Turn facing to inside and sew to zip tapes and to seams.

Stitch sleeve seams. Press sleeve hem allowances to inside and sew in place by hand.

Set in sleeves, easing sleeve caps.

Press hem allowance to inside and sew in place by hand.





These special zippers come in various lengths. The zipper should be at least 2 cm (3/4 in) longer than the slit. It is sewn in place before the seam below the slit is stitched. A special presser foot is required to sew the zipper in place.

Sewing the zipper in place:

Open the zipper and push the coil back with your thumbnail to reveal the seam marking between the tape and the coil. Place the open zipper right side down on the right fabric side of one slit edge.

In order to stitch the zipper in place exactly along the marked seam line, you must first calculate the distance between the tape edge and the fabric edge as follows: width of seam allowance minus 1 cm (3/8 in) tape width = distance from edge of fabric. This will yield a value of 5 mm (3/16 in) if the width of the seam allowance is 1.5 cm (5/8 in).

Pin the top end of the zipper tape in place, the calculated distance from the edge of the fabric. The bottom end of the zipper will extend past the marked end of the slit. Place the presser foot on the zipper so that the coil is in the notch to the right of the needle (1). Stitch zipper in place, from the top to the marked end of the slit. Close zipper.

Place the other zipper tape face down on the opposite slit edge and pin in place at the top. Open zipper again. Place the presser foot on the top end of the zipper so that the coil is in the notch to the left of the needle (2). Sew the zipper in place, from the top to the end of the slit. Close zipper.

Now stitch the seam below the zipper, from bottom to top. Turn the loose lower end of the zipper out of the way, over the seam allowance. Stitch as close as possible to the last stitches of the zipper seams. Trim away excess zipper and bind the end with a scrap of fabric.