

140 Cape

Sizes 44, 46, 48, 50, 52

Back length approx. 103 cm (41 ins)

Materials

Wool fabric,
width: 140 cm (55 ins)
length: 2.90 – 2.90 – 2.90 – 3.20 – 3.20 m
(3 1/4 – 3 1/4 – 3 1/4 – 3 1/2 – 3 1/2 yds).

Lining,
width: 140 cm (55 ins)
length: 1.70 – 1.80 – 1.90 – 2.00 – 2.10 m
(1 7/8 – 2 – 2 1/8 – 2 1/4 – 2 3/8 yds).

interfacing.

6 large buttons, 1 small flat inside button.

1 large sew-on snap fastener.

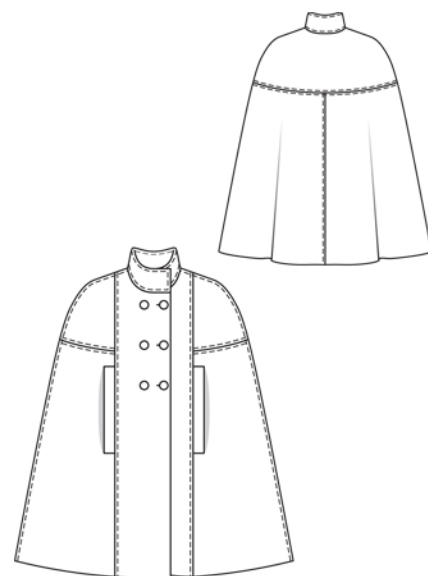
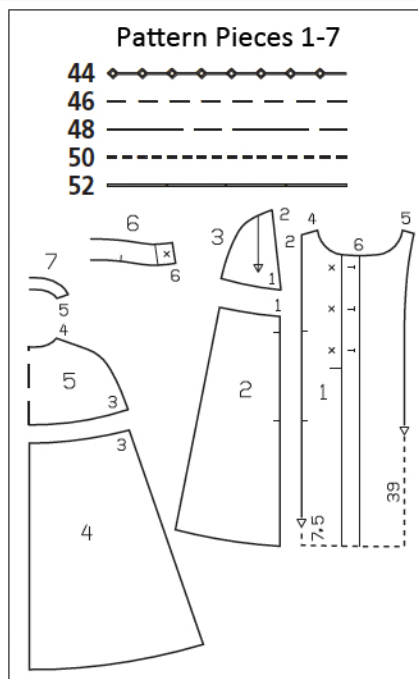
Buttonhole thread for the decorative stitching.

Recommended fabrics: Wool fabrics with some body.

Preparations

Print the pattern out on letter or A4 sized paper. It is very important to not scale or fit any of the pages, you must print the document in actual size. Your pattern will print on multiple pages, which you will then tile together. Arrange the sheets on a large, hard and flat surface matching up the numbers and letters (i.e. 6A to 6A). Cut or fold one of the sides and match the edge to it's corresponding side. Then, tape down in place so paper is secure.

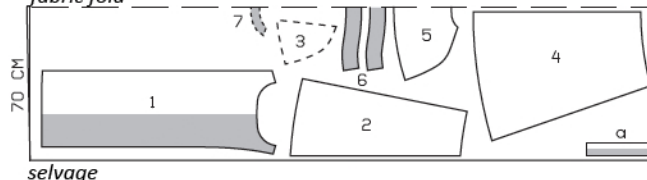
Trace the pattern pieces from the pattern sheet following the lines and markings for your size. The buttonholes and button markings on piece 1 are for size 44. For sizes 46 – 52, mark the top buttonhole the same distance from neck edge as for size 44. The bottom buttonhole is the same for all sizes. Mark the third buttonhole exactly half way between upper and lower buttonholes. Remark the buttons accordingly. To cut the lining, lay pieces 2 and 3 together and pieces 4 and 5 together. When this is done, small spaces are formed at the side edges but they can be ignored when cutting the lining.



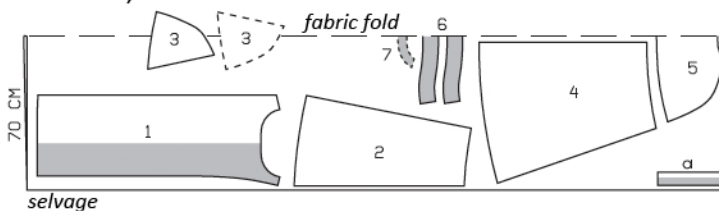
Wool, 140cm wide

Sizes 44-48

fabric fold



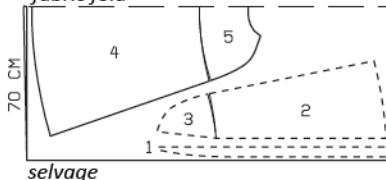
Sizes 50, 52



Lining, 140cm wide

Sizes 44-52

fabric fold



Cut from a double layer of fabric, right side facing in.

burda style magazine patterns do not have seam allowance included.

Seam and hem allowance to be added:

Seams and edges 1.5 cm (5/8 in), hem 4 cm (1 5/8 ins), lining 1.5 cm (5/8 in).

Cutting Out

Wool fabric:

- 1 centre front 2x
- 2 side front 2x
- 3 front yoke 2x
- 4 back 2x
- 5 back yoke, on a fold 1x
- 6 standing collar, on a fold 2x
- 7 back facing, on a fold 1x

Draft the following pattern pieces NOT included in the pattern:

- a) 2 welts, each 30 cm (12 ins) long, 6 cm (2 1/2 ins) wide, finished width 3 cm (1 1/4 ins).

Lining: Piece 1 minus width of facing; pieces 2 and 3 placed together; pieces 4 and 5 placed together and minus neck facing.

Interfacing: See shaded area on pattern layout.

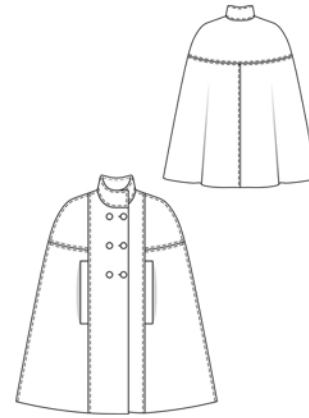
Sewing

Stitch front yokes to side front pieces. Press seam allowances open. With buttonhole thread, hand-sew 5 mm (3/16 in) long running stitches, 7 mm (1/4 in) to each side of yoke attachment seams.

Fold welts lengthwise, right side facing in, and stitch across ends. Turn welts right side out. Stitch welts to centre fronts, between seam marks. Stitch front section seams, not stitching across arm openings, between seam marks. Clip seam allowances of side fronts at arm opening ends. Press allowances on side opening edges and welts to the side and press allowances of section seams and welt attachment seams forward. Sew running stitches on centre fronts, along section seams and welt attachment seams. Sew narrow welt edges in place by hand.

Stitch centre back seam. Press seam allowances onto left back. Sew running stitches on left back, along centre seam.

Stitch back yoke to back. Press seam allowances open. Sew running stitches to each side of seam.



Stitch shoulder seams and side seams. Press seam allowances onto front. Sew running stitches on front yokes and side fronts, along seams.

Turn front self-facings to outside and stitch to back facing. Leave facing lying right sides together with cape for the time being.

Standing collar: Lay collar pieces right sides together. Stitch together along front and upper edges. Trim seam allowances. Turn collar right side out and press. Lay collar between cape and facing. Stitch outer collar to neck edge of cape and stitch inside collar to facing. Press seam allowances open. Turn facing to inside. Press front edges. Pin collar attachment seams together. In back, turn facing up again and stitch seam allowances together, close to collar attachment seam. Turn facing down. Sew running stitches along all collar edges.

At hem edge, unfold facing. Press hem allowance to inside, then turn down again. Stitch seams of lining, not stitching across arm openings. Stitch lining right sides together with inside facing edge. Lay lining inside cape, with wrong sides facing.

On side edges of each arm opening, turn edges of main fabric and lining each under at one place and pin together with a single straight pin. Reach up between lower edges of cape and lining to grab the pinned edges and pull them out. Remove the pin but keep hold of the edges. Stitch arm opening edges together, right sides facing. Push edges in place again. At each welt attachment seam, turn lining edge under and sew in place by hand.

Turn hem allowance of cape to inside and sew in place by hand. Turn lining edge under along hem edge of cape. Press fold edge lightly, push upward in a shallow curve, and pin to hem allowance. Sew facing and lining in place. Lay extra length of lining down and press lightly.

Work buttonholes in right front. On left front, work top buttonhole for inside button. Lay right front on left front, matching centre fronts. Mark button positions. Sew buttons in place, to match buttonholes and as marked. Sew flat inside button to right front facing. Cover snap fastener pieces with lining fabric. Close the collar with the snap.