

111 Blouse

Sizes 36, 38, 40, 42, 44

Back length approx. 63 cm (24 3/4 ins)

Materials

Crêpe satin,

width: 135 cm (53 ins)

length: 1.45 – 1.50 – 1.50 – 1.80 – 1.80 m
(1 3/4 – 1 3/4 – 1 3/4 – 2 – 2 yds).

Interfacing.

10 small buttons.

Recommended fabrics: Softly draping blouse fabrics.

Preparations

Print the pattern out on letter or A4 sized paper. It is **very important** to not scale or fit any of the pages, you must print the document in **actual size**. Your pattern will print on multiple pages, which you will then tile together. Arrange the sheets on a large, hard and flat surface matching up the numbers and letters (i.e. 6A to 6A). Cut or fold one of the sides and match the edge to it's corresponding side. Then, tape down in place so paper is secure.

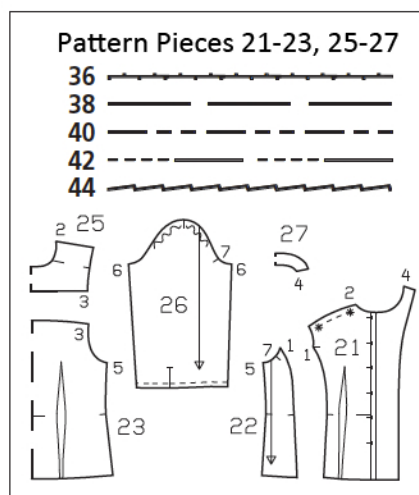
Trace the pattern pieces from the pattern sheet following the lines and markings for the correct size and the correct style (111). This pattern also includes pattern pieces, lines and markings for style 112, 113 & 114 that should be ignored.

The buttonholes on piece 21 are marked for size 36. For sizes 38 – 44, mark the top buttonhole the same distance from neck edge as for size 36. The bottom buttonhole is the same for all sizes. Space the other buttonholes evenly in between.

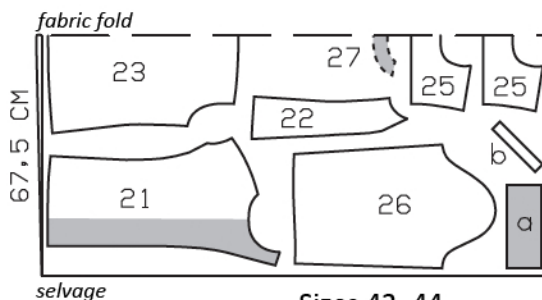
burda style magazine patterns do not have seam allowance included.

Seam and hem allowance to be added:

Seams and edges 1.5 cm (5/8 in), hem 2 cm (3/4 in).

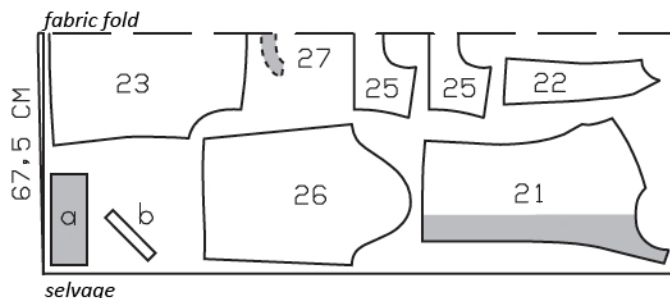


Sizes 36-40



Cut from a double layer of fabric, right side facing in.

Sizes 42, 44



Cutting Out

21 centre front 2x
22 side front 2x
23 back, on a fold 1x
25 yoke, on a fold 2x
26 sleeve 2x
27 back facing, on a fold 1x

Draft the following pieces NOT included in the pattern:

a) 2 cuffs with 2 cm (3/4 in) underlap, 23.5 – 24 – 24.5 – 25 – 25.5 cm (9 1/4 – 9 1/2 – 9 3/4 – 9 7/8 – 10 ins) long, 10 cm (4 ins) wide, finished width 5 cm (2 ins),
b) 2 bias binding strips for sleeve vents, 17 cm (6 3/4 ins) long, 3 cm (1 1/4 ins) wide (incl. allowances).

Interfacing: See shaded area on pattern layout.

Sewing

Stitch darts. Press darts toward centre.

Stitch side fronts to centre fronts. Press seam allowances onto centre pieces. Gather upper front edges between asterisks.

Yoke: Pin yoke pieces to upper edge of back, pinning one yoke to outside and one to inside. Stitch yokes in place. Press yokes up. Stitch outer yoke right sides together with upper front edges. Turn under edges of inside yoke and sew to attachment seams. Baste yokes together along neck and armhole edges, not turning edges under.

Stitch side seams. Press hem allowance to inside, turn raw edge under, and stitch.

Turn front self-facings to outside and stitch to back facing. Stitch facing to neck edge, right sides together. Trim seam allowances. Turn facing to inside. Press edges. Sew facing to hem edge. Sew inside facing edge to yokes, not exiting needle on right fabric side.

Slash sleeve vents as marked. Spread cut edges open to a straight line and stitch to one long edge of binding strip, as narrowly as possible. Turn binding strip over attachment seam into vent, fold to a width of 7 mm (1/4 in), turn edge under, and sew to attachment seam. On inside, stitch diagonally across binding at top of vent. On front edge of each vent, turn binding to inside and baste to lower sleeve edge.

Gather lower sleeve edges to match cuffs. Stitch cuffs to lower sleeve edges. Press seam allowances of attachment seams and of other long cuff edges onto cuffs. Fold cuffs lengthwise, right side facing in. Stitch across ends. Turn right side out. Baste inside edges in place. Topstitch cuffs close to attachment seams.

Set in sleeves, easing sleeve caps.

Work buttonholes in right front as marked.
Work 2 buttonholes in front edge of each cuff.

