

121 Skirt

Sizes 34, 36, 38, 40, 42

Length from waist 48 cm (19 ins)

Upper edge of skirt 4 cm (1 5/8 ins) above waist

Materials

Flannel with crosswise stretch,
width: 150 cm (59 in)
length: 0.60 m (3/4 yd) for all sizes.

Stretch jersey,
width: 150 cm (59 in)
length: 0.85 m (1 yd).

Stretch lining,
width: 140 cm (55 in)
length: 0.60 m (3/4 yd).

Interfacing.

1 invisible zipper, 40 cm (16 ins) long.

Recommended fabrics: Skirt fabrics with some body, of wool or blends, combined with fine jersey. Fabrics with some elastane are ideal.

Preparations

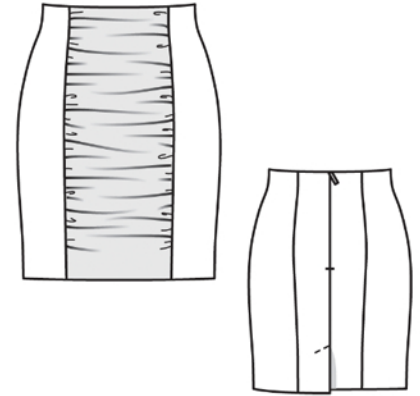
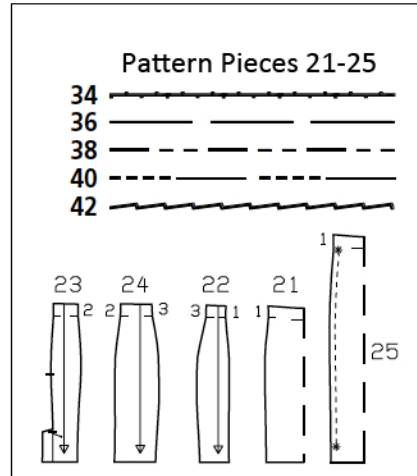
Print the pattern out on letter or A4 sized paper. It is **very important** to not scale or fit any of the pages, you must print the document in **actual size**. Your pattern will print on multiple pages, which you will then tile together. Arrange the sheets on a large, hard and flat surface matching up the numbers and letters (i.e. 6A to 6A). Cut or fold one of the sides and match the edge to it's corresponding side. Then, tape down in place so paper is secure.

Trace the pattern pieces from the pattern sheet following the lines and markings for the correct size and the correct style (121). This pattern also includes pattern pieces, lines and markings for style 122 that should be ignored.

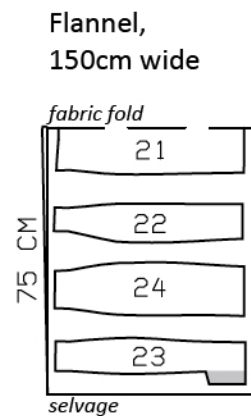
burda style magazine patterns do not have seam allowance included.

To be added:

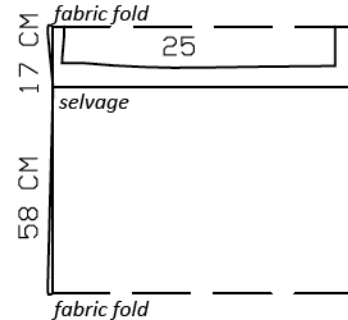
Seams and edges 1.5 cm (5/8 in),
hem 4 cm (1 5/8 ins), lining 1.5 cm (5/8 in).



Fold the fabric as shown in the pattern layout, right side facing in. Use indicated fabric widths.



Jersey,
150cm wide



Cutting Out

21 centre front skirt panel
on a fold 1x
22 side front skirt panel 2x
23 centre back skirt panel 2x
24 side back skirt panel 2x

Jersey:
25 front gathered piece, on a fold 1x

Lining: pieces 21 to 24.

Interfacing: See pattern layout. Iron shaped strips of interfacing, 6 cm (2 3/8 ins) wide, to wrong side of upper edges of skirt lining panels.

Sewing

Gather long edges of jersey front piece, between asterisks. Lay jersey piece on centre front skirt panel, with wrong side facing right side. Baste to upper edge of skirt panel and stitch to hem allowance, next to marked hem line. Baste jersey piece to section seam edges, distributing gathering evenly.

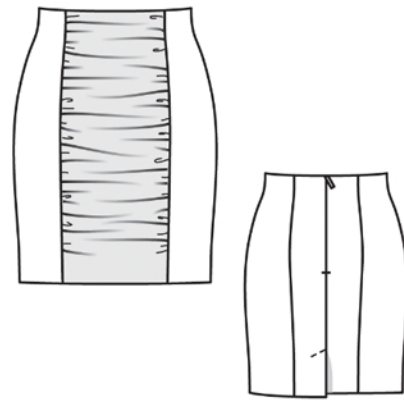
Stitch the front section seams. Press the seam allowances onto side pieces. Stitch the back section seams and the side seams. Press seam allowances open.

Invisible zip with centre seam, vent: Sew the invisible zip to back opening edges, see the "Helpful Hint" on next page. Stitch the centre back seam from vent to zip. Trim away bottom of zip approx. 2 cm (3/4 in) below opening and bind with a scrap of fabric. At the vent, press allowances onto the left skirt panel and press the centre seam allowances open. Above the vent, press seam allowance of right skirt panel to wrong side, tapering as you go (do not clip allowance). Narrowly hem vertical edge of underlap on right back skirt panel. Topstitch left back skirt panel at an angle as marked, catching underlap.

Stitch seams of lining, leaving slits open.

Face upper skirt edge: Pull lining over skirt, with right sides facing. Pin upper edges together. At zip opening, turn lining back, approx. 5 mm (3/16 in) before edge of opening, and pin to upper edge. Turn allowances on opening edges of skirt to outside and pin to upper edge of skirt, over lining. Stitch along upper edge of skirt. Turn allowances at opening edges to inside. Turn lining up and stitch to seam allowances, as far as possible, close to seam. Turn lining to inside and sew to zip tapes.

Hem and lining hem: At hem edge, unfold the vent facing. Press hem allowance to inside and stitch hem in place by hand. Sew facing to hem edge. Hem the lining so that it is approx. 2 cm (3/4 in) shorter than the skirt.



Sew lining in place at vent: Pin centre back seam of skirt and lining together at top of vent. At edges of vent, lay lining allowances in same direction as on skirt (clip lining allowance approx. 1 cm / 3/8 in above top of vent). At vent, turn up skirt lining piece which lies on top. Turn under skirt lining which lies below and pin to hem edge of underlap. Sew in place by hand. Lay skirt lining piece down again and cut horizontally, 1 cm (3/8 in) below top of vent, up to 1 cm (3/8 in) before edge of underlap, then cut down to hem edge, 1 cm (3/8 in) from edge of underlap. Clip diagonally into corner, approx. 1 cm (3/8 in) long. Turn in edges of lining. Sew horizontal edge to underlap and sew vertical edge to slit facing.



These special zippers come in various lengths. The zipper should be at least 2 cm (3/4 in) longer than the slit. It is sewn in place before the seam below the slit is stitched. A special presser foot is required to sew the zipper in place.

Sewing the zipper in place:

Open the zipper and push the coil back with your thumbnail to reveal the seam marking between the tape and the coil. Place the open zipper right side down on the right fabric side of one slit edge.

In order to stitch the zipper in place exactly along the marked seam line, you must first calculate the distance between the tape edge and the fabric edge as follows: width of seam allowance minus 1 cm (3/8 in) tape width = distance from edge of fabric. This will yield a value of 5 mm (3/16 in) if the width of the seam allowance is 1.5 cm (5/8 in).

Pin the top end of the zipper tape in place, the calculated distance from the edge of the fabric. The bottom end of the zipper will extend past the marked end of the slit. Place the presser foot on the zipper so that the coil is in the notch to the right of the needle (1). Stitch zipper in place, from the top to the marked end of the slit. Close zipper.

Place the other zipper tape face down on the opposite slit edge and pin in place at the top. Open zipper again. Place the presser foot on the top end of the zipper so that the coil is in the notch to the left of the needle (2). Sew the zipper in place, from the top to the end of the slit. Close zipper.

Now stitch the seam below the zipper, from bottom to top. Turn the loose lower end of the zipper out of the way, over the seam allowance. Stitch as close as possible to the last stitches of the zipper seams. Trim away excess zipper and bind the end with a scrap of fabric.