

127 Jacket

Sizes 34, 36, 38, 40, 42

Back length approx. 50 cm (20 ins)

Materials

Fake fur,

width: 140 cm (55 ins)

length: 1.50 m (1 3/4 yds) for all sizes.

Lamb nappa leather, a piece 60 x 20 cm (24 x 8 ins).

Lining,

width: 140 cm (55 ins)

length: 1.10 – 1.10 – 1.15 – 1.20 – 1.20 m

(1 1/4 – 1 1/4 – 1 3/8 – 1 3/8 – 1 3/8 yds).

Glue stick (Pritt, Tesa).

Recommended fabrics: Fake fur. Soft leather or imitation leather for the binding.

Preparations

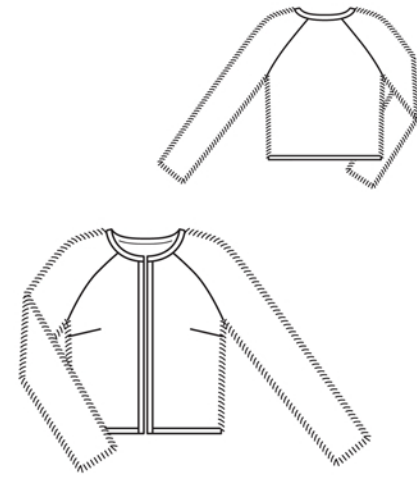
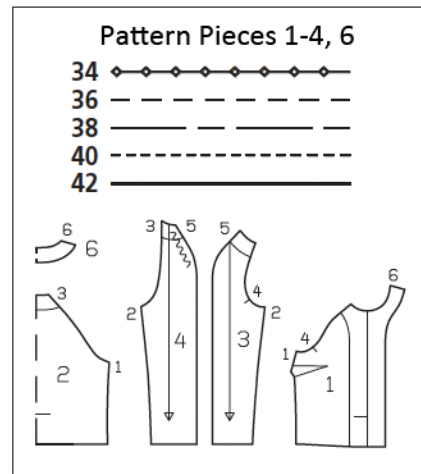
Print the pattern out on letter or A4 sized paper. It is **very** important to not scale or fit any of the pages, you must print the document in **actual size**. Your pattern will print on multiple pages, which you will then tile together. Arrange the sheets on a large, hard and flat surface matching up the numbers and letters (i.e. 6A to 6A). Cut or fold one of the sides and match the edge to it's corresponding side. Then, tape down in place so paper is secure.

Trace the pattern pieces from the pattern sheet following the lines and markings for the correct size and the correct style (127). This pattern also includes pattern pieces, lines and markings for style 126 and 128 that should be ignored.

burda style magazine patterns do not have seam allowance included.

To be added:

Seams, edges and hem 1.5 cm (5/8 in), sleeve hems 4 cm (1 5/8 ins). Cut lining pieces with 1.5 cm (5/8 in) wide seam and hem allowances.



Cut fake fur from a single layer, wrong side facing up. Cut right and left pieces as opposites. Note direction of nap.

When cutting out the pattern pieces, cut only the backing fabric and not the "fur" fibres.

Cutting Out

Fake fur:

- | | |
|--------------------------|----|
| 1 front | 2x |
| 2 back, on a fold | 1x |
| 3 front sleeve | 2x |
| 4 back sleeve | 2x |
| 6 back facing, on a fold | 1x |

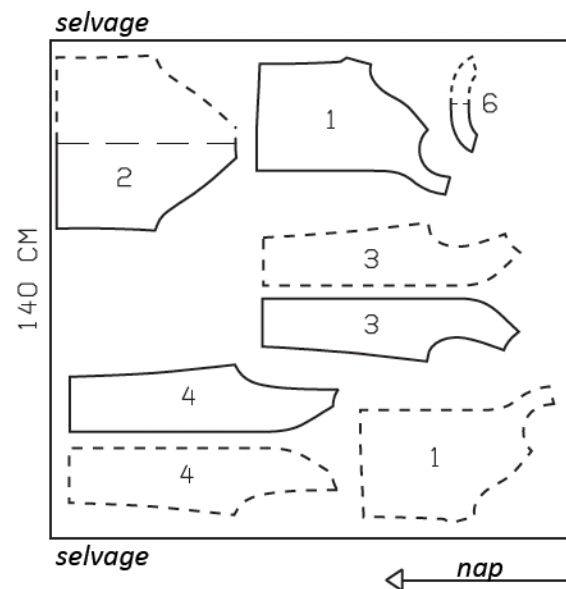
Leather:

Binding strip for hem edge, 1 piece, 49 – 51 – 53 – 55 – 57 cm (19 1/4 – 20 1/4 – 21 – 21 3/4 – 22 1/2 ins) long, and 2 pieces, each 26 – 27 – 28 – 29 – 30 cm (10 1/4 – 10 3/4 – 11 1/8 – 11 1/2 – 12 ins) long, 4 cm (1 5/8 ins) wide (incl. allowances),

2 binding strips for front edges, 48 – 49 – 50 – 51 – 52 cm (19 – 19 1/4 – 19 3/4 – 20 1/4 – 20 1/2 ins) long, 4 cm (1 5/8 ins) wide (incl. allowances),

Binding strip for neck edge, 47 – 48 – 49 – 50 – 51 cm (18 1/2 – 19 – 19 1/4 – 19 3/4 – 20 1/4 ins) long, 4 cm (1 5/8 ins) wide (incl. allowances).

Lining: pieces 1, 3, and 4 to lining line; piece 2 to lining line and with an ease pleat of approx 2 cm (3/4 in) at centre back.



Sewing

Stitch bust darts. Cut dart allowances open along centre, to approx. 3 cm (1 1/4 ins) before point. Press darts open, pressing ends flat.

Stitch side seams and lower sleeve seams, right sides together. Press seam allowances open.

Stitch sleeves to armhole edges, beginning and ending at marked neck edge. Press seam allowances open from neck edge to beginning of underarm curve.

Stitch upper sleeve seams (seam number 5), beginning and ending exactly at marked neck edge. Press sleeve hem allowances to inside and sew in place by hand.

Stitch back facing to shoulder seam edges of front facings, beginning and ending exactly at marked neck edge.

On back lining piece, stitch ease pleat at top and bottom, each approx. 5 cm (2 ins) long, and baste in between. Press pleat to one side. Stitch lining seams.

Stitch lining right sides together with inside facing edge. Press seam allowances onto lining. Lay facing and lining inside jacket, with wrong sides together, pulling linings into sleeves. On neck edge, baste facing next to seam allowance. Baste lower facing edges and lower lining edge next to marked hem line, pushing lining up by approx. 1 cm (3/8 in). Trim away seam allowances on neck and hem edges.



Bind jacket edges: Stitch binding strips for hem edge together, stitching shorter pieces to ends of long piece. Fold binding strip lengthwise, wrong side facing in, and press so that one half is 2 mm (a scant 1/8 in) wider (test iron a scrap of leather first). Fold binding strip over lower jacket edge and glue wider half to inside. Work from outside of jacket to stitch close to binding edge, catching inside edge. Then bind front edges, turning lower ends of binding under and trimming away extending top ends. Bind neck edge, turning both ends of binding under.

Above sleeve hems, pin a fold, approx. 1 cm (3/8 in) deep, in lining. Turn edge of sleeve lining under and sew to hem allowance. Lay extra length down and press.