

### 133 Dress

Sizes 34, 36, 38, 40, 42

Dress length from waist 74 cm (29 1/4 ins)

### Materials

**Wool crêpe,**

width: 145 cm (57 ins)

length: 1.65 – 1.65 – 2.10 – 2.10 – 2.10 m

(1 7/8 – 1 7/8 – 2 3/8 – 2 3/8 – 2 3/8 yds).

**Lining,**

width: 140 cm (55 ins)

length: 2.15 m (2 1/2 yds) for all sizes.

Vilene Bias Tape/ stay tape.

1 invisible zip, 40 cm (16 ins) long

**Recommended fabrics:** Dress fabrics of wool or blends.

### Preparations

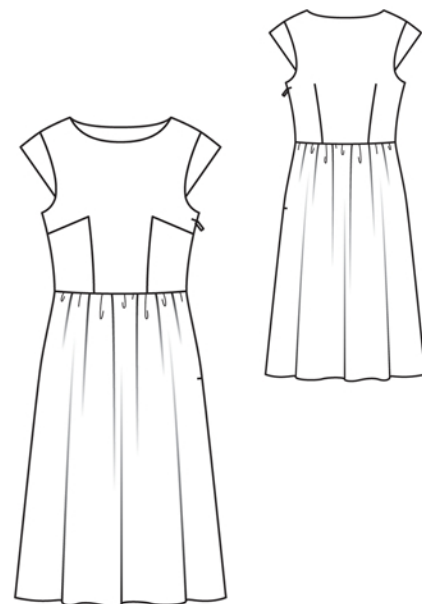
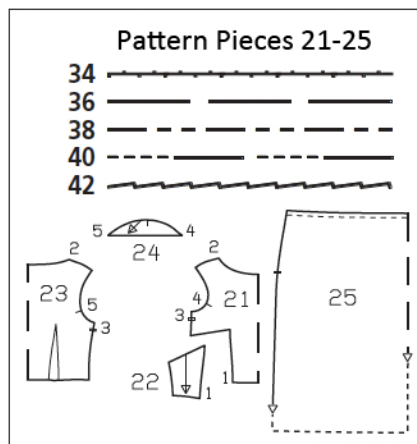
Print the pattern out on letter or A4 sized paper. It is **very important** to not scale or fit any of the pages, you must print the document in **actual size**. Your pattern will print on multiple pages, which you will then tile together. Arrange the sheets on a large, hard and flat surface matching up the numbers and letters (i.e. 6A to 6A). Cut or fold one of the sides and match the edge to it's corresponding side. Then, tape down in place so paper is secure.

Trace the pattern pieces from the pattern sheet following the lines and markings for your size.

**burda style magazine patterns do not have seam allowance included.**

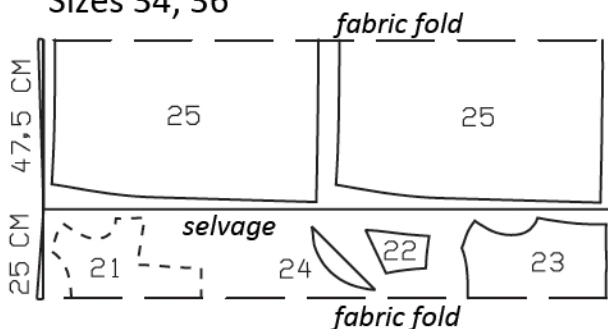
To be added:

Seams and edges 1.5 cm (5/8 in),  
hem 4 cm (1 5/8 ins), lining 1.5 cm (5/8 in).



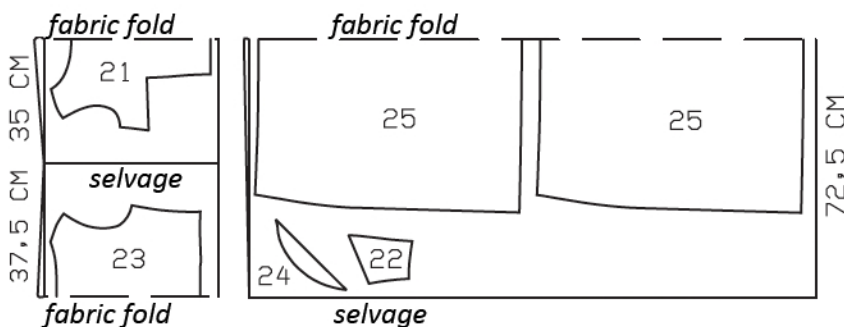
**Wool Crêpe**

Sizes 34, 36



Fold the fabric as shown in the pattern layout, right side facing in. Use fabric with a width of 145cm wide.

Sizes 38-42



### Cutting Out

**Wool crêpe:**

21 front, on a fold	1x
22 side front	2x
23 back, on a fold	1x
24 sleeve	2x
25 skirt panel, on a fold	2x

**Vilene Bias Tape/ stay tape:** Iron to wrong sides of neck and armhole edges. Also iron small pieces of interfacing to wrong side of front, over seam corners.

**Lining:** pieces 21 to 25.

## Sewing

Stitch side fronts to front, from lower edge (seam number 1) to corner. Clip seam allowances of front into corner. Then stitch side fronts to front, from corner to side seam edge. Press seam allowances open. Stitch back darts and press toward centre back.

Stitch shoulder seams, right sides together. Stitch right side seams of dress bodice and skirt. Press seam allowances open. Gather upper skirt edges to match edges of bodice front and back. Stitch skirt to bodice. Press seam allowances up. Sew invisible zip to left slit edges, see the "Helpful Hint" on next page. Leave upper ends of zip tapes loose. Teeth of zip begin at marking. Stitch left side seam above and below zip. Sew sleeve linings right sides together with sleeves. Stitch lower edges together. Turn sleeve linings down and stitch to seam allowances, close to seam. Place sleeve linings inside sleeves, with wrong sides facing. Baste upper edges together.

Stitch sleeves to front and back (seam numbers 4 and 5).

Stitch seams of skirt lining, leaving slit for zip 2 cm (3/4 in) longer than on main fabric. Gather upper edge of skirt lining. Place skirt lining inside dress, with wrong sides facing, and stitch to seam allowances of skirt attachment seam, stitching as far as possible at slit. Turn edges of skirt lining under and sew to zip tapes.

Stitch darts and seams of bodice lining.

Pull lining over dress, with right sides facing. Pin lining to neck edge of dress. Stitch along marked neck edge. Turn lining to inside and press neck edge.



Turn armhole edges of main fabric and lining under, toward one another, and pin together at the side seam with a single straight pin. Reach up from lower edge, between main fabric and lining, to grasp armhole edges and pull them out. Stitch these edges together below lower sleeve edge. Trim seam allowances. Push armhole edges in place again. Press edges. Press seam allowances of sleeve joining seams away from sleeves. At sleeve joining seams, turn lining edges under and sew in place.

Turn edge of bodice lining under and sew to zip tapes and to skirt attachment seam.

Press hem allowance to inside and sew in place by hand. Hem lining so that it is approx. 2 cm (3/4 in) shorter than dress.



These special zippers come in various lengths. The zipper should be at least 2 cm (3/4 in) longer than the slit. It is sewn in place before the seam below the slit is stitched. A special presser foot is required to sew the zipper in place.

### **Sewing the zipper in place:**

Open the zipper and push the coil back with your thumbnail to reveal the seam marking between the tape and the coil. Place the open zipper right side down on the right fabric side of one slit edge.

In order to stitch the zipper in place exactly along the marked seam line, you must first calculate the distance between the tape edge and the fabric edge as follows: width of seam allowance minus 1 cm (3/8 in) tape width = distance from edge of fabric. This will yield a value of 5 mm (3/16 in) if the width of the seam allowance is 1.5 cm (5/8 in).

Pin the top end of the zipper tape in place, the calculated distance from the edge of the fabric. The bottom end of the zipper will extend past the marked end of the slit. Place the presser foot on the zipper so that the coil is in the notch to the right of the needle (1). Stitch zipper in place, from the top to the marked end of the slit. Close zipper.

Place the other zipper tape face down on the opposite slit edge and pin in place at the top. Open zipper again. Place the presser foot on the top end of the zipper so that the coil is in the notch to the left of the needle (2). Sew the zipper in place, from the top to the end of the slit. Close zipper.

Now stitch the seam below the zipper, from bottom to top. Turn the loose lower end of the zipper out of the way, over the seam allowance. Stitch as close as possible to the last stitches of the zipper seams. Trim away excess zipper and bind the end with a scrap of fabric.