

### 135 Skirt

Sizes 34, 36, 38, 40, 42

Skirt length 46 cm (18 1/8 ins)

### Materials

**Wool fabric,**  
width: 150 cm (59 ins)  
length: 0.90 m (1 yd) for all sizes.

Vilene/Pellon G 785.

1 invisible zipper, 22 cm (9 ins) long

**Recommended fabrics:** Skirt fabrics with some body, of wools or blends.

### Preparations

Print the pattern out on letter or A4 sized paper. It is **very important** to not scale or fit any of the pages, you must print the document in **actual size**. Your pattern will print on multiple pages, which you will then tile together. Arrange the sheets on a large, hard and flat surface matching up the numbers and letters (i.e. 6A to 6A). Cut or fold one of the sides and match the edge to it's corresponding side. Then, tape down in place so paper is secure.

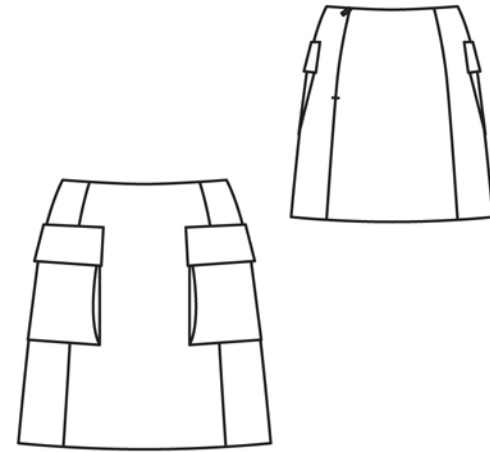
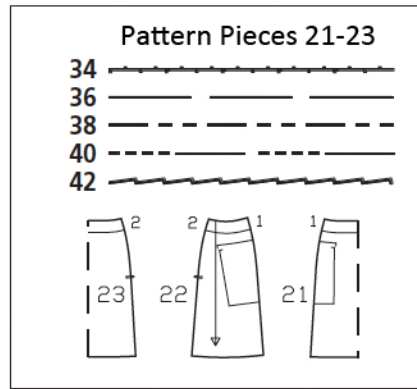
Trace the pattern pieces from the pattern sheet following the lines and markings for the correct size and the correct style (135). This pattern also includes pattern pieces, lines and markings for style 134 that should be ignored.

Trace the facings from pieces 21, 22, and 23 as separate pattern pieces.

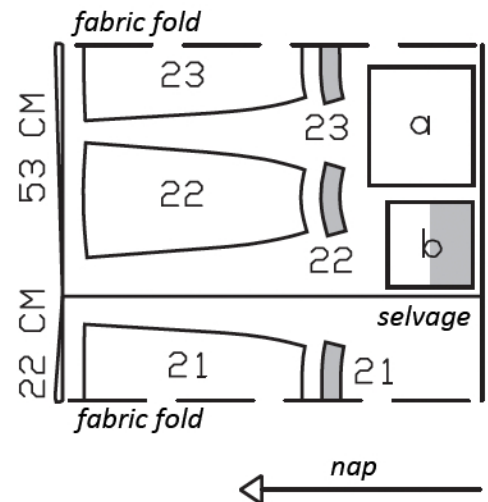
**burda style magazine patterns do not have seam allowance included.**

To be added:

Seams and edges 1.5 cm (5/8 in),  
hem 4 cm (1 5/8 ins).



Fold fabric as shown in the pattern layout, right side facing in. Note direction of nap. Use fabric with a width of 150cm.



### Cutting Out

21 front skirt panel, on a fold	1x
front facing, on a fold	1x
22 side skirt panel	2x
side facing	2x
23 back skirt panel, on a fold	1x
back facing, on a fold	1x

Draft the following pieces NOT included in the pattern:

a) 2 pockets, 22 cm (8 3/4 ins) long, including 3 cm (1 1/4 ins) self-facing on upper edge, 25 cm (10 ins) wide, including 4 cm (1 5/8 ins) on each side for pleats,

b) 2 flaps, 18 cm (7 ins) long, 18 cm (7 ins) wide, finished width 9 cm (3 1/2 ins).

**Interfacing:** See shaded area on pattern layout.

## Sewing

Stitch side skirt panels to front skirt panel, right sides together. Press seam allowances open.

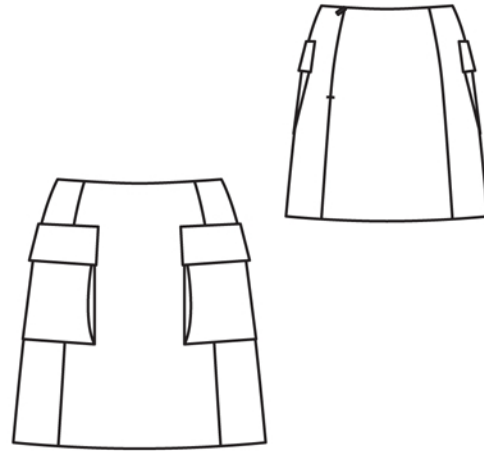
Press self-facing on upper edge of each pocket to inside and stitch 2.5 cm (1 in) from fold edge. Press allowances on side and lower pocket edges to wrong side. Press pleats in side edges: First turn each edge to wrong side, 4 cm (15/8 ins) wide, and press. Then lay side edge under pressed fold and press inside folds. Lay pockets on skirt, at marked placement lines. Edgestitch side pocket edges in place, turning upper fold edge back, out of the way, to do so. Lay pleats closed again and stitch lower pocket edges in place. At top of each pocket, stitch upper folds to side pocket edges, 2.5 cm (1 in) long.

Fold each flap lengthwise, right side facing in. Stitch across ends. Turn flaps right side out and press. Trim allowances on attachment edges to 1 cm (3/8 in) wide and neaten together. Stitch flaps to skirt, at marked attachment lines. Press flaps down. Hand-sew side flap edges in place, approx. 1 cm (3/8 in) long, beginning at attachment seam.

Sew invisible zip to slit edges of left back section seam, see "Helpful Hint" on next page. Stitch left back section seam from lower edge to zip. Stitch right back section seam.

**Face upper skirt edge:** Stitch facing pieces together, leaving left back section seam open (as mirror image of skirt). Pin facing right sides together with upper skirt edge. At zip slit, turn facing ends back, approx. 5 mm (3/16 in) before opening edge, and pin to upper edge. Turn allowances on slit edges of skirt to outside and pin to upper skirt edge, over facing. Stitch along upper skirt edge. Turn allowances at slit edges to inside. Turn facing up and stitch to seam allowances, as far as possible, close to seam. Turn facing to inside and sew to zip tape and to seams.

Press hem allowance to inside and sew in place by hand.





These special zippers come in various lengths. The zipper should be at least 2 cm (3/4 in) longer than the slit. It is sewn in place before the seam below the slit is stitched. A special presser foot is required to sew the zipper in place.

### **Sewing the zipper in place:**

Open the zipper and push the coil back with your thumbnail to reveal the seam marking between the tape and the coil. Place the open zipper right side down on the right fabric side of one slit edge.

In order to stitch the zipper in place exactly along the marked seam line, you must first calculate the distance between the tape edge and the fabric edge as follows: width of seam allowance minus 1 cm (3/8 in) tape width = distance from edge of fabric. This will yield a value of 5 mm (3/16 in) if the width of the seam allowance is 1.5 cm (5/8 in).

Pin the top end of the zipper tape in place, the calculated distance from the edge of the fabric. The bottom end of the zipper will extend past the marked end of the slit. Place the presser foot on the zipper so that the coil is in the notch to the right of the needle (1). Stitch zipper in place, from the top to the marked end of the slit. Close zipper.

Place the other zipper tape face down on the opposite slit edge and pin in place at the top. Open zipper again. Place the presser foot on the top end of the zipper so that the coil is in the notch to the left of the needle (2). Sew the zipper in place, from the top to the end of the slit. Close zipper.

Now stitch the seam below the zipper, from bottom to top. Turn the loose lower end of the zipper out of the way, over the seam allowance. Stitch as close as possible to the last stitches of the zipper seams. Trim away excess zipper and bind the end with a scrap of fabric.