

123 Dress

Sizes 36, 38, 40, 42, 44,

Length from elastic casing 46 cm (18 ins).

Elastic casing sits approx. 12 cm (5 ins) below waist.

Materials

Viscose/rayon velvet,

width: 110 cm (44 ins)

length: 1.40 – 1.40 – 1.45 – 1.45 – 1.45 m
(1 5/8 - 1 5/8 – 1 3/4 – 1 3/4 – 1 3/4 yds).

Satin print,

width: 140 cm (55 ins)

length: 0.90 – 0.95 – 0.95 – 1.00 – 1.05 m
(1 – 1 1/8 – 1 1/8 – 1 1/8 – 1 1/4 yds).

Elastic, 1 cm (3/8 in) wide and 0.85 – 0.90 – 0.95 – 0.95 – 1.00 m (1 – 1 – 1 1/8 – 1 1/8 – 1 1/8 yds) long.

Vilene/Pellon G 785 and Vilene Bias Tape/ stay tape.

Recommended fabrics: Lightweight, softly draping fabrics.

Preparations

Print the pattern out on letter or A4 sized paper. It is **very** important to not scale or fit any of the pages, you must print the document in **actual size**. Your pattern will print on multiple pages, which you will then tile together. Arrange the sheets on a large, hard and flat surface matching up the numbers and letters (i.e. 6A to 6A). Cut or fold one of the sides and match the edge to it's corresponding side. Then, tape down in place so paper is secure.

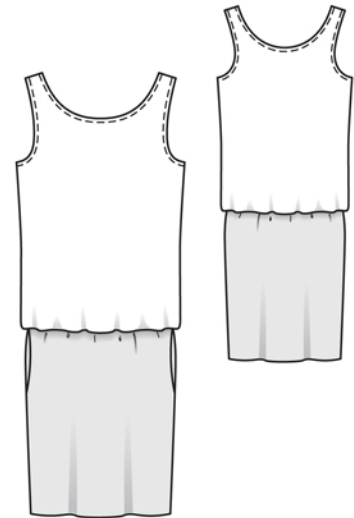
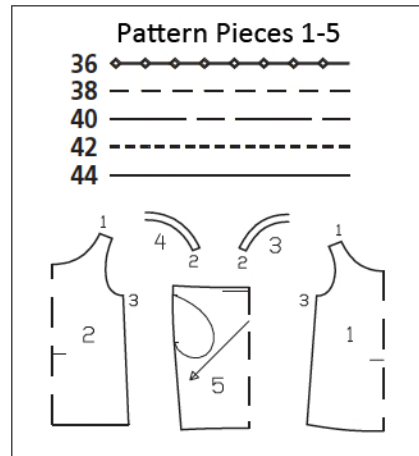
Trace the pattern pieces from the pattern sheet following the lines and markings for the correct size and the correct style (123). This pattern also includes pattern pieces, lines and markings for style 122 that should be ignored.

Trace the pocket piece from piece 5 as a separate pattern piece – it is the same for all sizes.

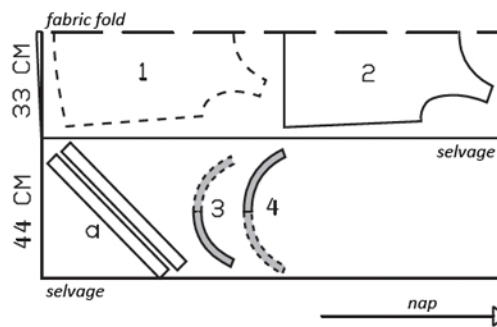
burda style magazine patterns do not have seam allowance included.

To be added:

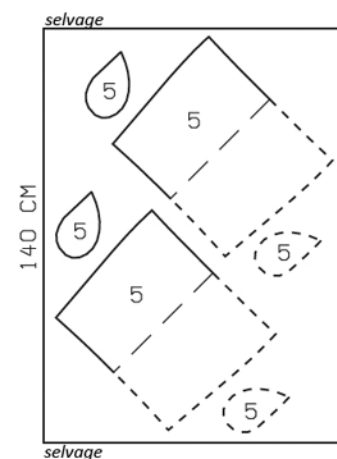
Seams and edges 1.5 cm (5/8 in),
skirt joining seam 2 cm (3/4 in), hem
4 cm (1 5/8 ins).



Velvet, 110cm wide



Satin, 140cm wide



Fold the fabric as shown in the pattern layout. Right side faces in on a double layer of fabric; right side faces up on a single layer of fabric. Note direction of nap on velvet.

Cutting Out

Viscose/rayon velvet:

1 front, on a fold	1x
2 back, on a fold	1x
3 front facing, on a fold	1x
4 back facing, on a fold	1x

Draft the following piece NOT included in the pattern:

a) 2 bias strips for the armholes,
47 – 48 – 50 – 51 – 53 cm
(18 1/2 – 19 – 19 3/4 – 20 1/4 – 21 ins)
long, 4 cm (1 5/8 ins) wide (incl. allowances).

Cutting Out Continued...

Satin print:

5 skirt panel, on a fold 2x

pocket piece 4x

Interfacing: Iron G 785 to wrong side of facing pieces. Iron Vilene Bias Tape/ stay tape to wrong side of armhole edges.

Sewing

Stitch shoulder seams of dress bodice, right sides together. Stitch facing seams. Press seam allowances open.

Armholes: Fold bias strips in half lengthwise, right side facing out, and press. Stitch each folded bias strip to armhole edge so that fold edge of strip lies on garment piece, 1 cm (3/8 in) past seam line. Trim seam allowances. Turn strips to inside. Press armhole edges. Topstitch 7 mm (1/4 in) from armhole edges.

Neck edge: Stitch facing right sides together with neck edge. Trim seam allowances. Turn facing up and stitch to allowances, close to seam. Turn facing to inside. Press edge. Hand-sew inside facing edge in place.

Stitch side seams of skirt and bodice, not stitching across pocket openings on skirt. Sew top ends of allowances to armholes.

Inseam pockets: Pin pocket pieces to allowances of pocket opening edges, right sides facing. Stitch in place, directly along marked seam lines. Press pocket pieces forward and stitch together.

Stitch skirt to bodice. Neaten allowances together and press down. Stitch as marked, to form casing, leaving an opening, for elastic. Pull elastic into casing. Sew ends of elastic together to a circumference of 80 – 84 – 88 – 92 – 96 cm (31 1/2 – 33 – 34 3/4 – 36 1/4 – 37 3/4 ins). Sew seam opening closed.

Press hem allowance to inside and sew in place by hand.

