

149 Beach Poncho

Sizes **98/104, 110/116, 122/128**

Back length 57 – 63 – 70 cm
(22 1/2 – 24 3/4 – 27 3/4 ins)

Materials

Plain terry cloth fabric,
width: 145 cm (57 ins)
length: 1.20 – 1.35 – 1.50 m
(1 3/8 – 1 5/8 – 1 3/4 yds).

Print batiste as contrasting fabric,
width: 120 cm (47 ins)
length: 0.60 m (3/4 yd) for all sizes.

Vilene/Pellon G 785.

Recommended fabrics: Terry cloth fabric and cotton print fabric.

Preparations

Print the pattern out on letter or A4 sized paper. It is **very** important to not scale or fit any of the pages, you must print the document in **actual size**. Your pattern will print on multiple pages, which you will then tile together. Arrange the sheets on a large, hard and flat surface matching up the numbers and letters (i.e. 6A to 6A). Cut or fold one of the sides and match the edge to it's corresponding side. Then, tape down in place so paper is secure.

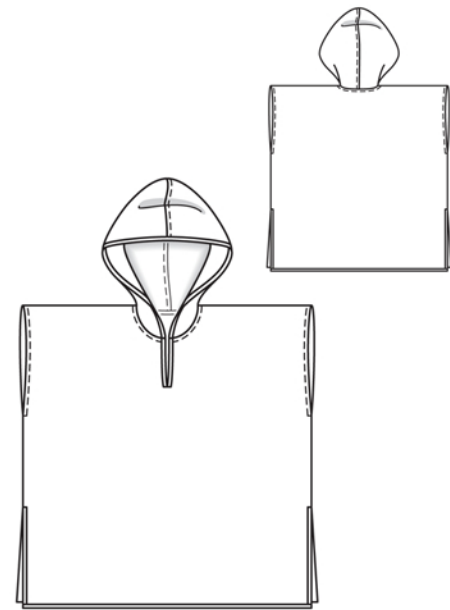
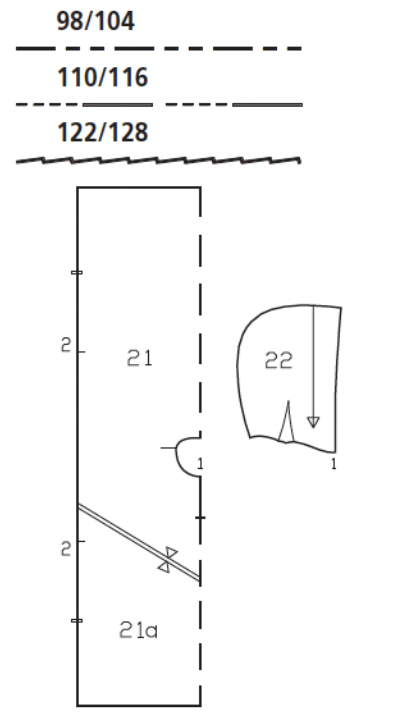
Trace the pattern pieces from the pattern sheet following the lines and markings for the correct size. Glue pieces 21 and 21a together on the joining lines.

burda style magazine patterns do not have seam allowance included.

Seam and hem allowance to be added:

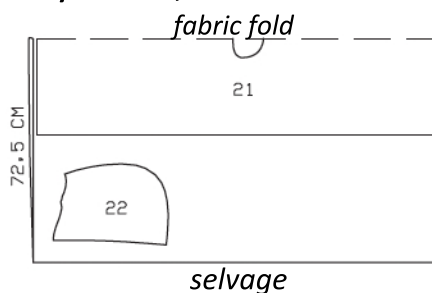
Seams and edges 1.5 cm (5/8 in), no allowances on hem or front hood edges.

Pattern Pieces 21 & 22

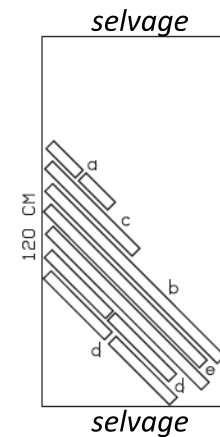


Cut pieces 21 & 22 on a double layer of fabric. Use fabric with a width of 145 cm.

Terry Cloth, 145 cm width



Batiste, 120 cm width



Cutting Out

Terry cloth:

21 front and back, on a fold 1x
22 hood 2x

Batiste (contrasting fabric):

Draft the following pattern pieces not included in the pattern:

a) 2 bias binding strips for front slit,
13 – 14 – 15 cm
(5 1/4 – 5 1/2 – 6 ins) long,
3 cm (1 1/4 ins) wide (incl. allowances),

b) bias binding strip for front hood edge,
74 – 76 – 79 cm (29 1/4 – 30 – 31 1/4 ins) long,

3 cm (1 1/4 ins) wide (incl. allowances)

c) bias strip for hood joining seam,
39 – 40 – 41 cm
(15 1/2 – 15 3/4 – 16 1/4 ins) long,
4 cm (1 5/8 ins) wide (incl. allowances)

Cutting Out Continued...

d) 4 bias binding strips for side slits,
22 – 25 – 28 cm (8 3/4 – 10 – 11 1/8 ins) long,
3 cm (1 1/4 ins) wide (incl. allowances)

e) 2 bias binding strips for hem edges,
60 – 66 – 72 cm (23 3/4 – 26 – 28 1/2 ins) long,
3 cm (1 1/4 ins) wide (incl. allowances)

Interfacing: Iron a strip of interfacing, 1.5 cm (5/8 in) wide, to wrong side of front, over slit marking.

Sewing

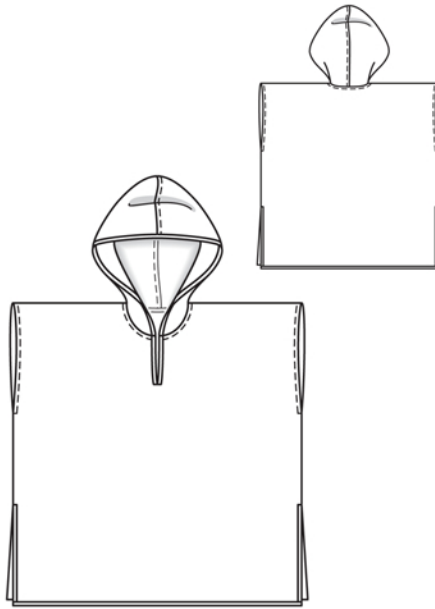
Front slit:

Mark slit at centre front with hand basting stitches. Fold binding strip in half lengthwise, right fabric side facing out, and press. Unfold strip out flat again. Fold one long edge in to the pressed fold and press again. Pin the other edge of each strip to wrong side of front so that strips meet over slit mark. Stitch each strip in place, from upper edge to slit mark, stitching 7 mm (1/4 in) from strip edges. Cut slit down to 1 cm (3/8 in) above marked end of slit then clip diagonally toward seam ends. Fold each strip over cut edges, turn edge under, and baste. Edgestitch binding close to edge. Fold small triangle at lower end of slash to inside and stitch to binding, from seam end to seam end. Topsitch front close to horizontal seam.

Stitch centre hood seam, right sides together. Trim seam allowances to 1 cm (3/8 in) wide, neaten together, and press onto left hood piece. Then stitch from right side, 7 mm (1/4 in) from seam. Stitch darts, folding darts right sides together along centre dart line and stitching up dart legs. Press darts onto back.

Bind front hood edge:

Fold the binding strip lengthwise, right fabric side facing out, and press. Turn both long edges in to the pressed fold and press again. Lay binding strip out flat again. Work from inside to pin binding strip to front hood edge. Stitch 7 mm (1/4 in) from edge, along the pressed fold. Fold binding strip over hood edge and baste. Edgestitch binding in place.



Baste hood to neck edge. Fold binding strip for hood joining seam in half lengthwise and press. Lay folded bias strip on hood so that fold edge of strip lies on garment piece, 1 cm (3/8 in) past marked joining seam. Stitch hood to neck edge together with bias strip. Trim allowances of hood joining seam to 7 mm (1/4 in) wide. Fold ends of bias strip over seam allowances. Press bias strip and seam allowances down. Stitch fold edge of bias strip in place.

Stitch each side seam below seam mark at seam number 2, down to slit mark. Press seam allowances open. Press allowances on armhole edges to inside, turn edges under to 7 mm (1/4 in) wide, and stitch.

On slit edges of front and back, trim away seam allowances, from slit mark to bottom, tapering down from slit mark to edge of seam allowance. Bind slit edges as for front hood edge, turning in ends of binding at end of slit. Bind hem edges, turning in both ends of bands.